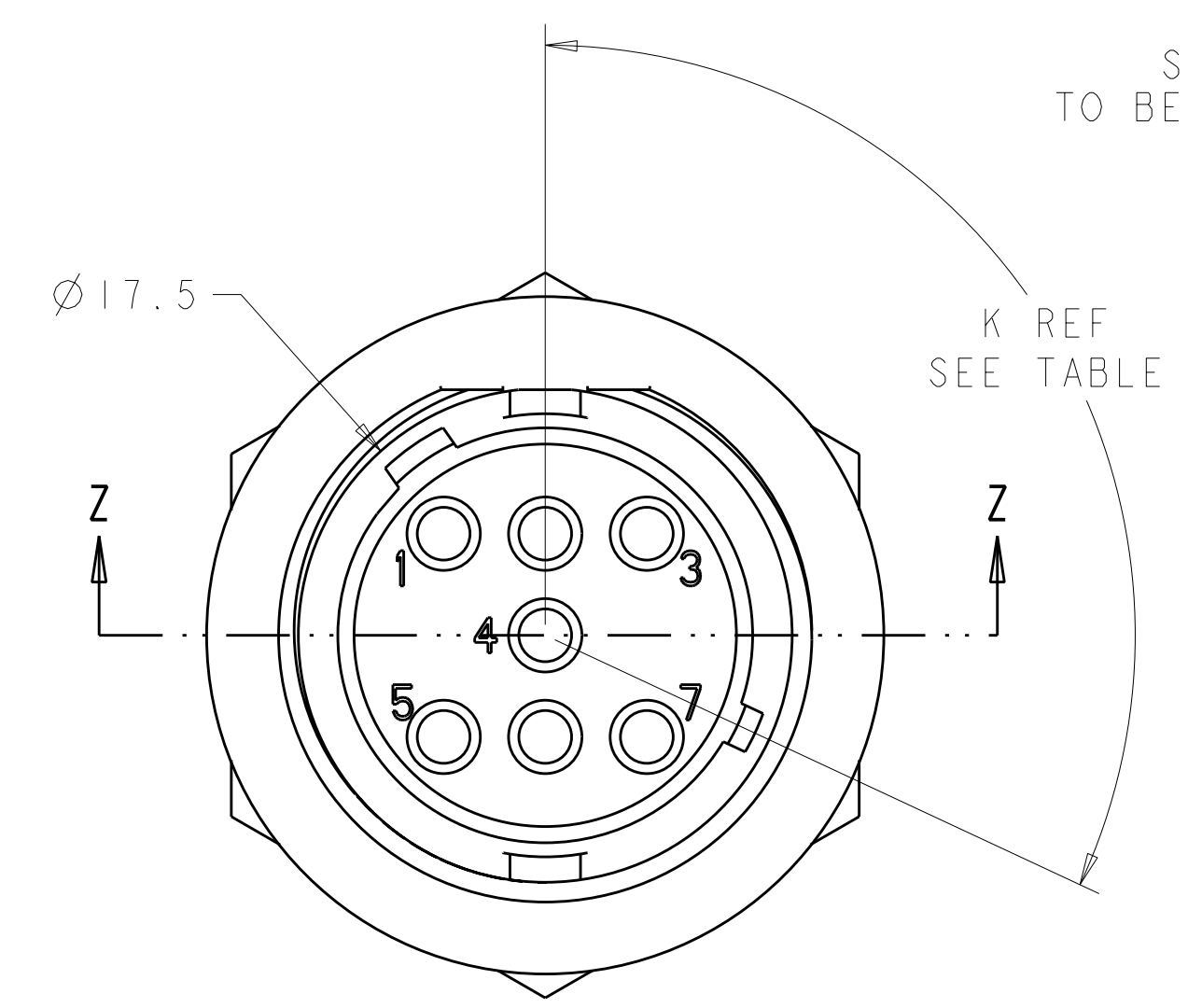
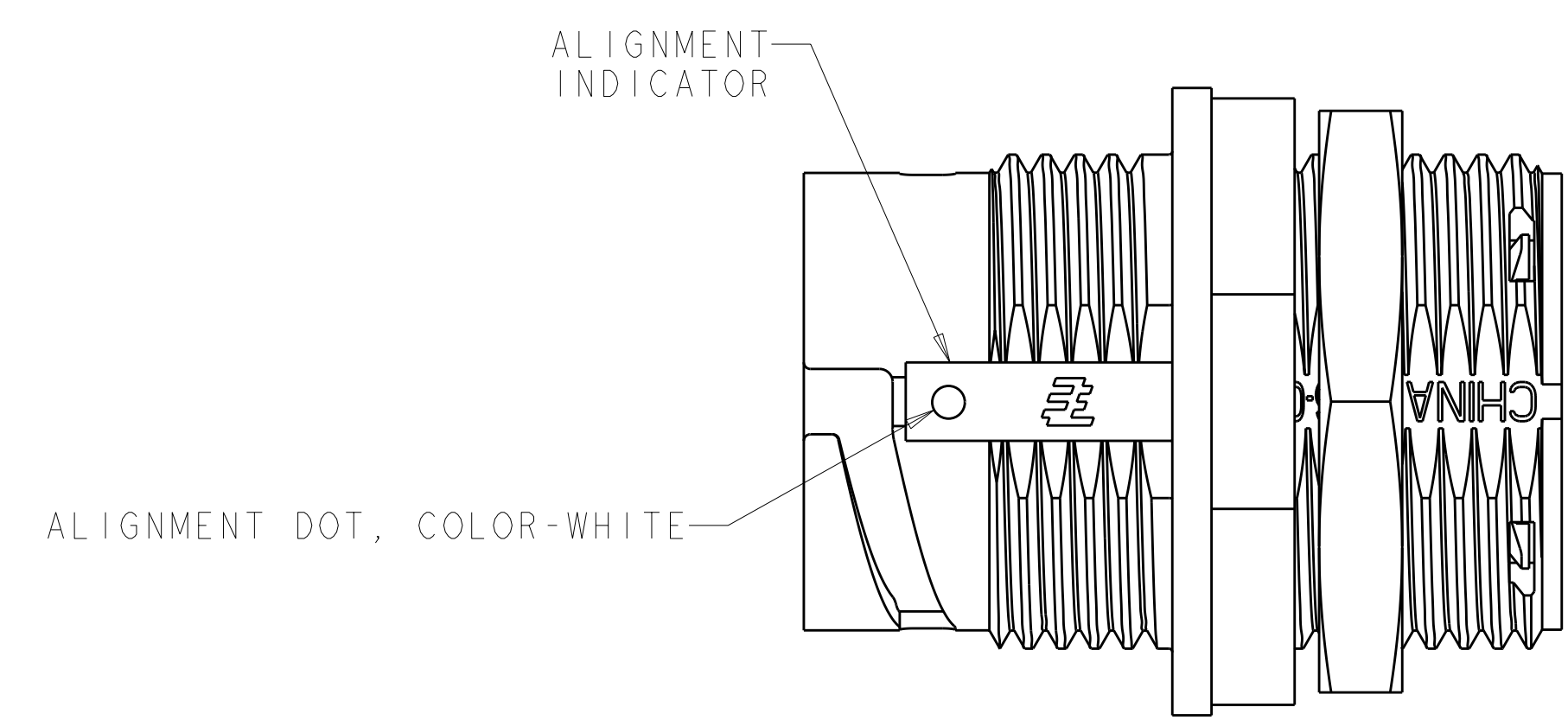
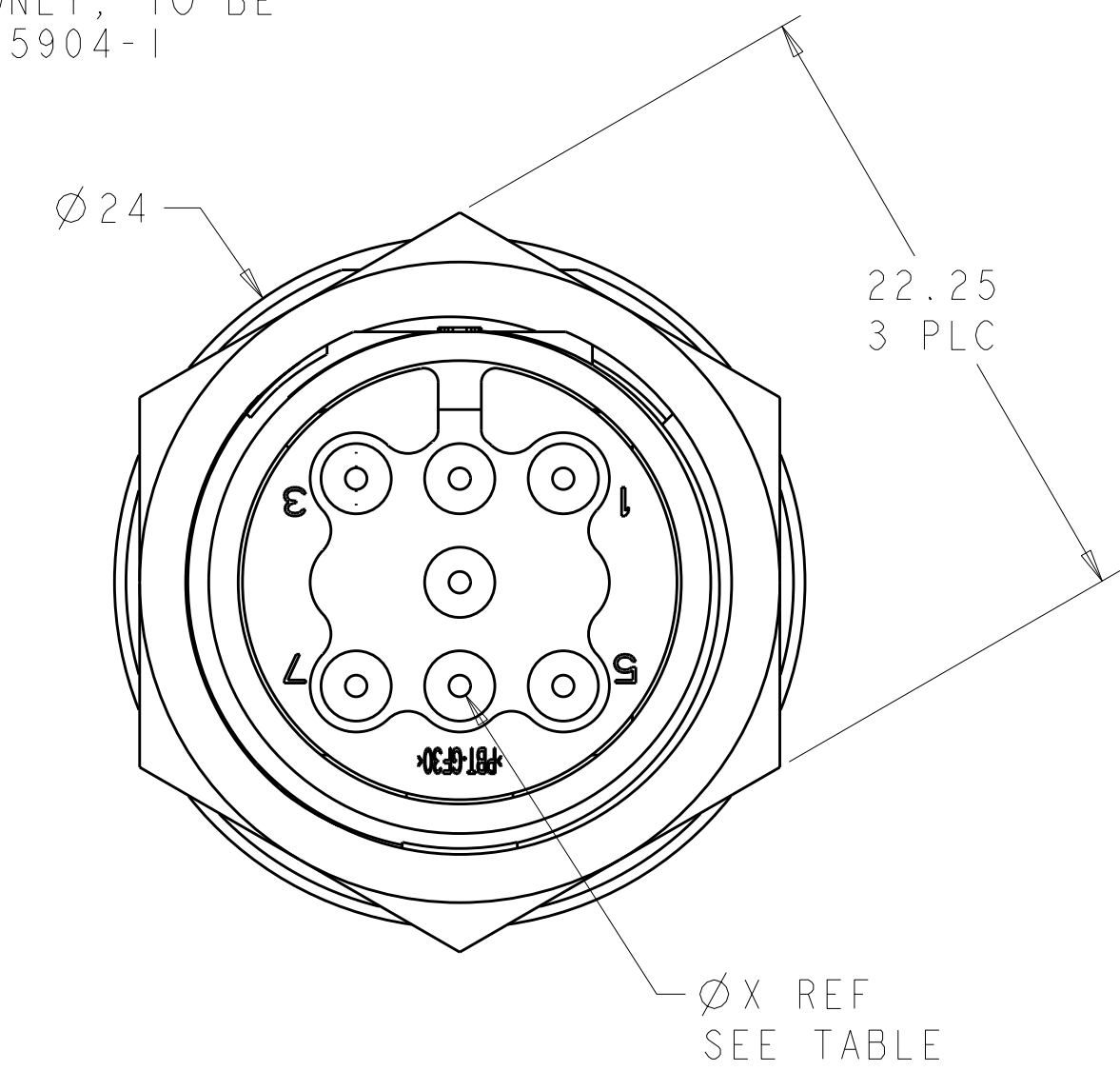
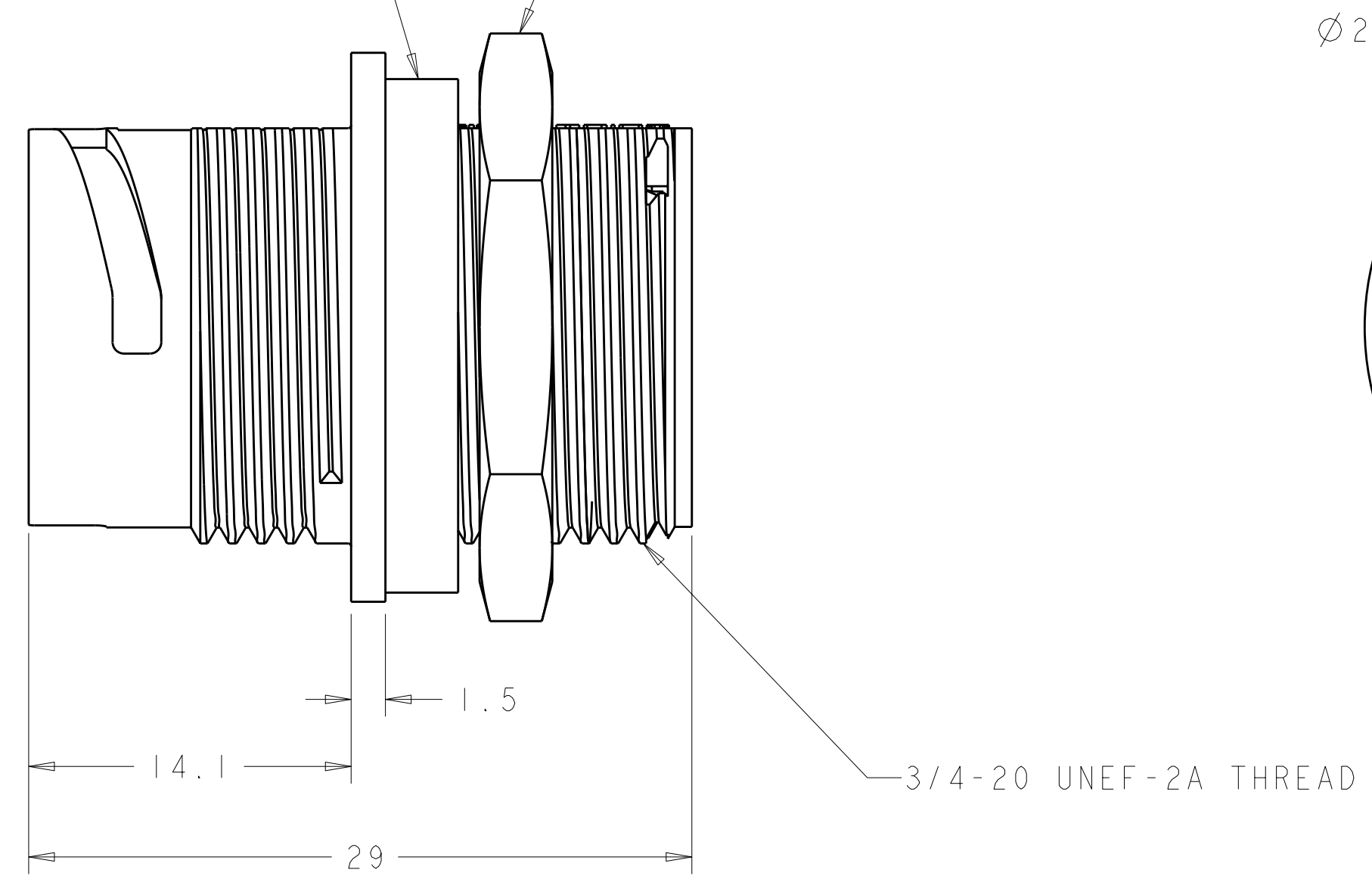


LOC	DIST	REVISIONS			
FT	0	REV	DATE	BY	APPD
		B2	REVISED ECO-10-014504	23OCT2010	HMR MG

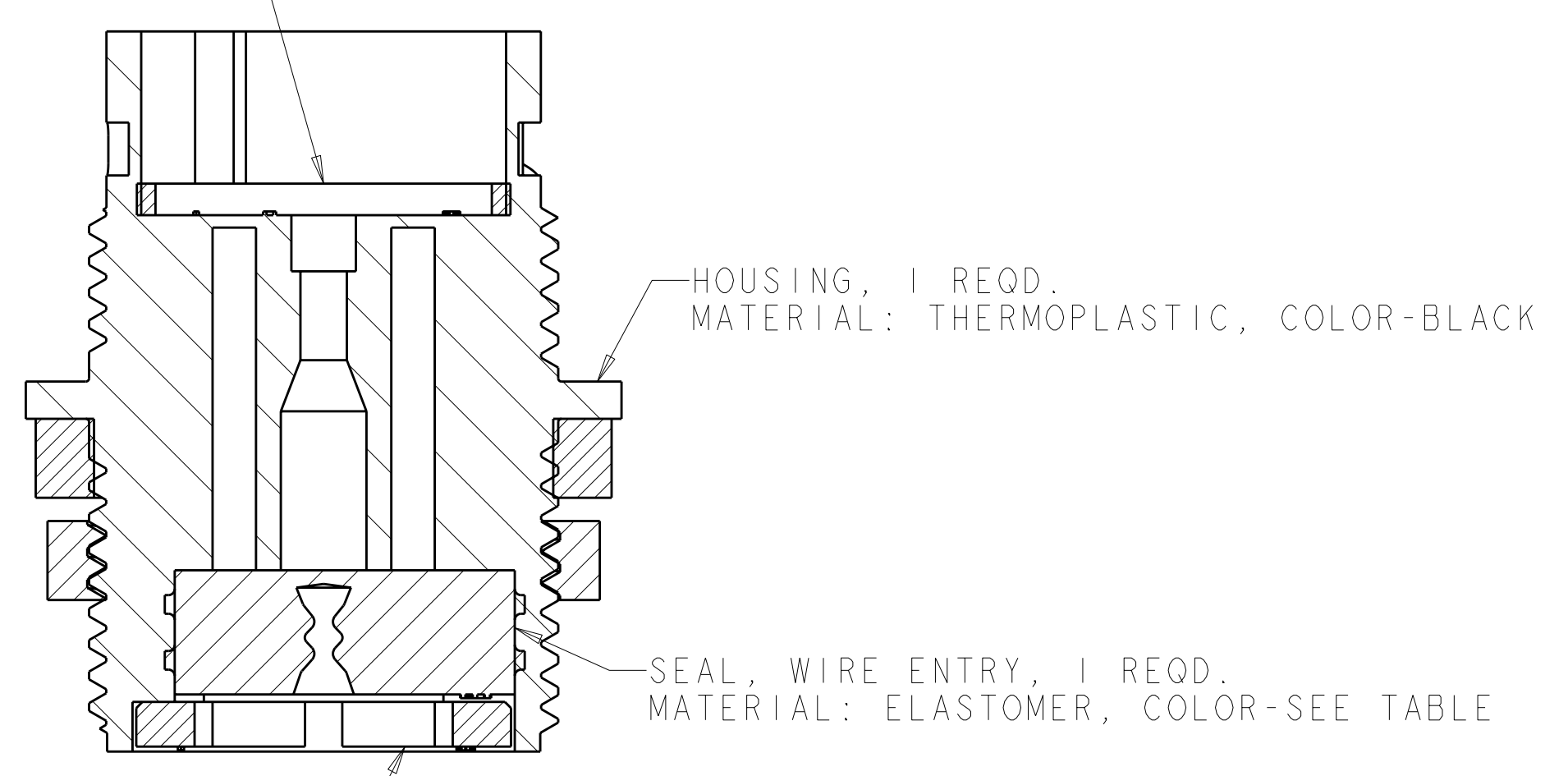


SEAL, PANEL; SHOWN FOR REFERENCE ONLY, TO BE ORDERED SEPARATELY, PART #1445420-02

JAM NUT, SHOWN FOR REFERENCE ONLY, TO BE ORDERED SEPARATELY, PART # 1445904-1



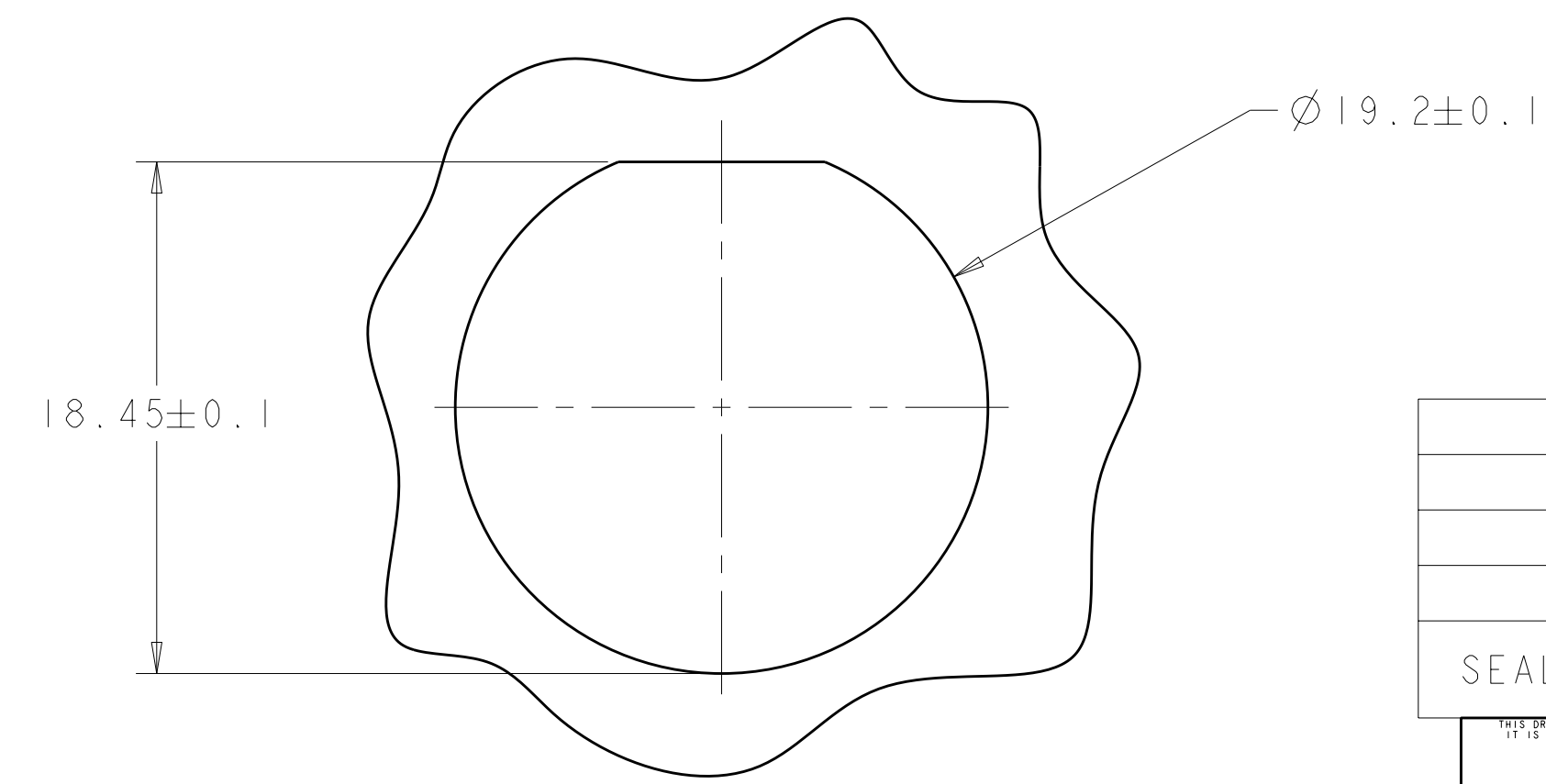
SEAL, PERIPHERAL, 1 REQD.
 MATERIAL: ELASTOMER, COLOR-GRAY



RETAINER, SEAL, 1 REQD.
 MATERIAL: THERMOPLASTIC, COLOR-BLACK

SECTION Z-Z

1. CONNECTOR CAN BE FRONT OR REAR PANEL MOUNTED.
 2. MAX PANEL THICKNESS - 3.18



SEAL, WIRE ENTRY COLOR	ϕX REF	K REF	PART NUMBER
YELLOW	$\phi 0.75$	135°	1445822-04
NATURAL	$\phi 1.5$	115°	1445822-03
NATURAL	$\phi 1.5$	135°	1445822-02
YELLOW	$\phi 0.75$	115°	1445822-01

DIMENSIONS: mm 		TOLERANCES UNLESS OTHERWISE SPECIFIED: 0 PLC ± 1 PLC ± 2 PLC ±0.13 3 PLC ± 4 PLC ± ANGLES ±		DWN SHANE WUEST 15OCT2001 CHK G DOUTY 15OCT2001 APVD H WAKEEM 13JUN2003		Tyco Electronics Harrisburg, PA 17105-3608	
MATERIAL SEE CALLOUT		FINISH SEE CALLOUT		WEIGHT CUSTOMER DRAWING		NAME ASSEMBLY, RECEPTACLE, SIZE 11, 7 POSITION, PANEL MOUNT, SEALED, MINI CPC SIZE CAGE CODE DRAWING NO. RESTRICTED TO A11 00779 C=1445822 SCALE 4:1 SHEET 1 OF 1 REV B2	