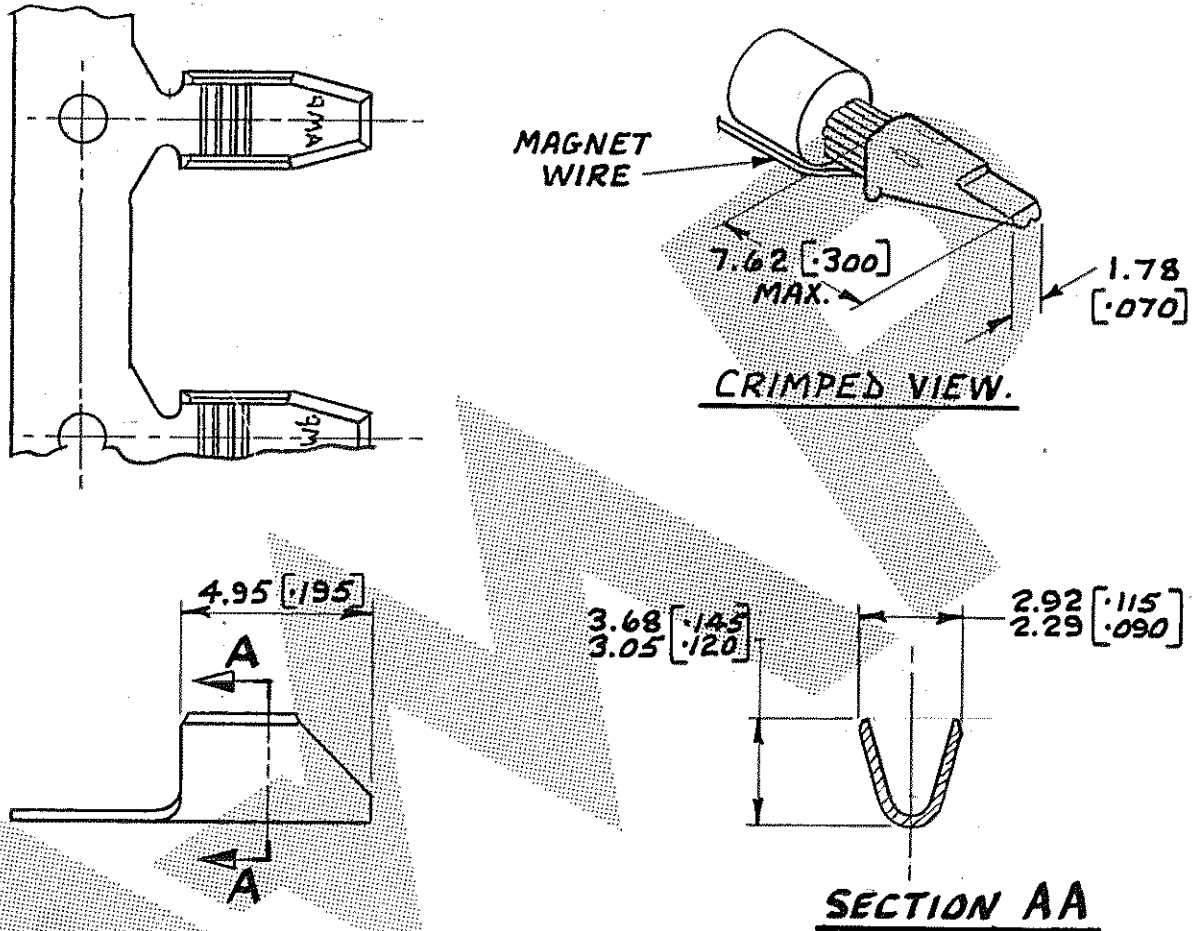


NUMBER C-342384



**NOTES :-**

1. - WIRE RANGE - TINNED LEAD WIRE 255-1855 CMA; COPPER LEAD WIRE 1250-1850 CMA.
2. - APPLICABLE WIRE SIZES 26-18 AWG STRANDED WITH 40-26 AWG COPPER MAGNET.
3. - PRE-STRIPPING OF THE MAGNET WIRE IS NOT REQUIRED.

342384 - 2	BRASS	ELECTRO-TIN
342384 - 1	BRASS	NONE
<b>PART No.</b>	<b>MATERIAL</b>	<b>FINISH</b>
		CUSTOMER COPY REFERENCE ONLY
MATERIAL AND FINISH 0.33 [0.013] STOCK SEE TABLE		TE Connectivity
WIRE - RANGE - INSULATION 200 - 2000 CMA. -		CLASS
TOLERANCE EXCEPT AS NOTED ± 0.5 [0.020] ± 1° 0'		TYPE
SCALE 5:1		LOC E A NO C-342384
NAME MINIATURE AMPLIVAR SPLICE		Rev. A

A	FIRST ISSUE	J.C.	31.3.82
ISS	REVISION RECORD	DR	CHK DATE
DR	J.CREW. 3/13/82	DE	
CHK	[Signature] 1/4/82	APP	

PRINT DIST.