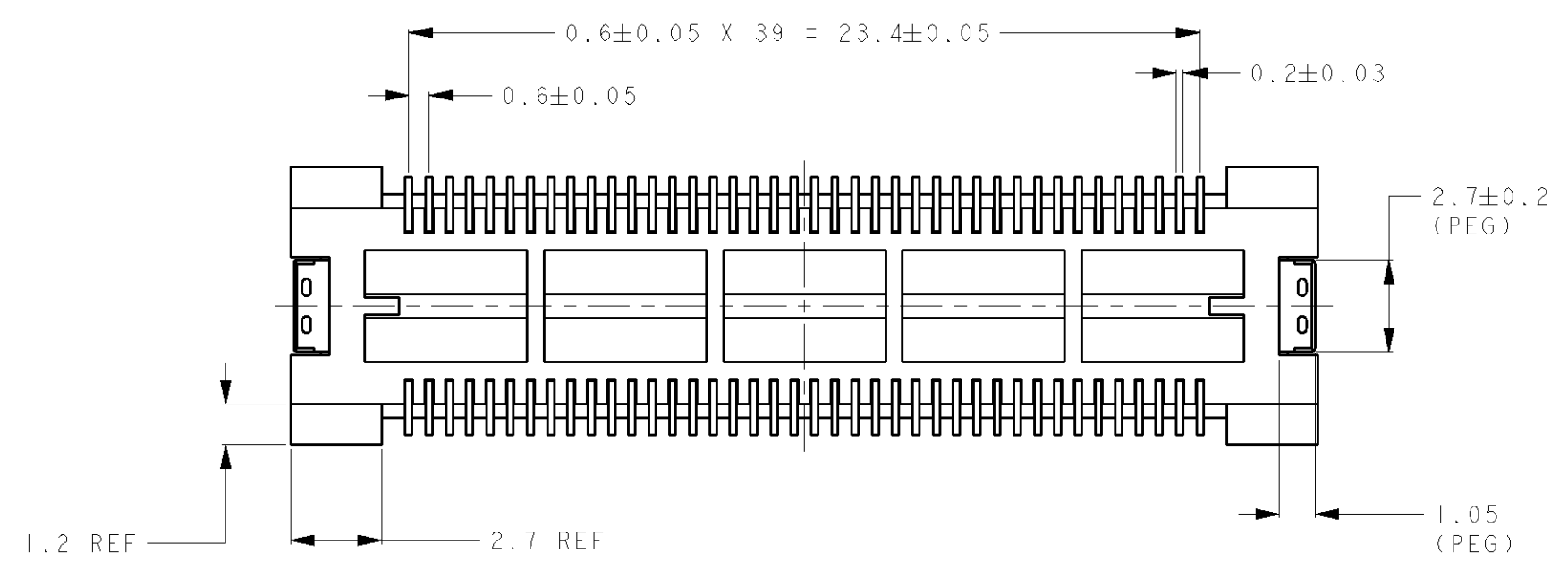
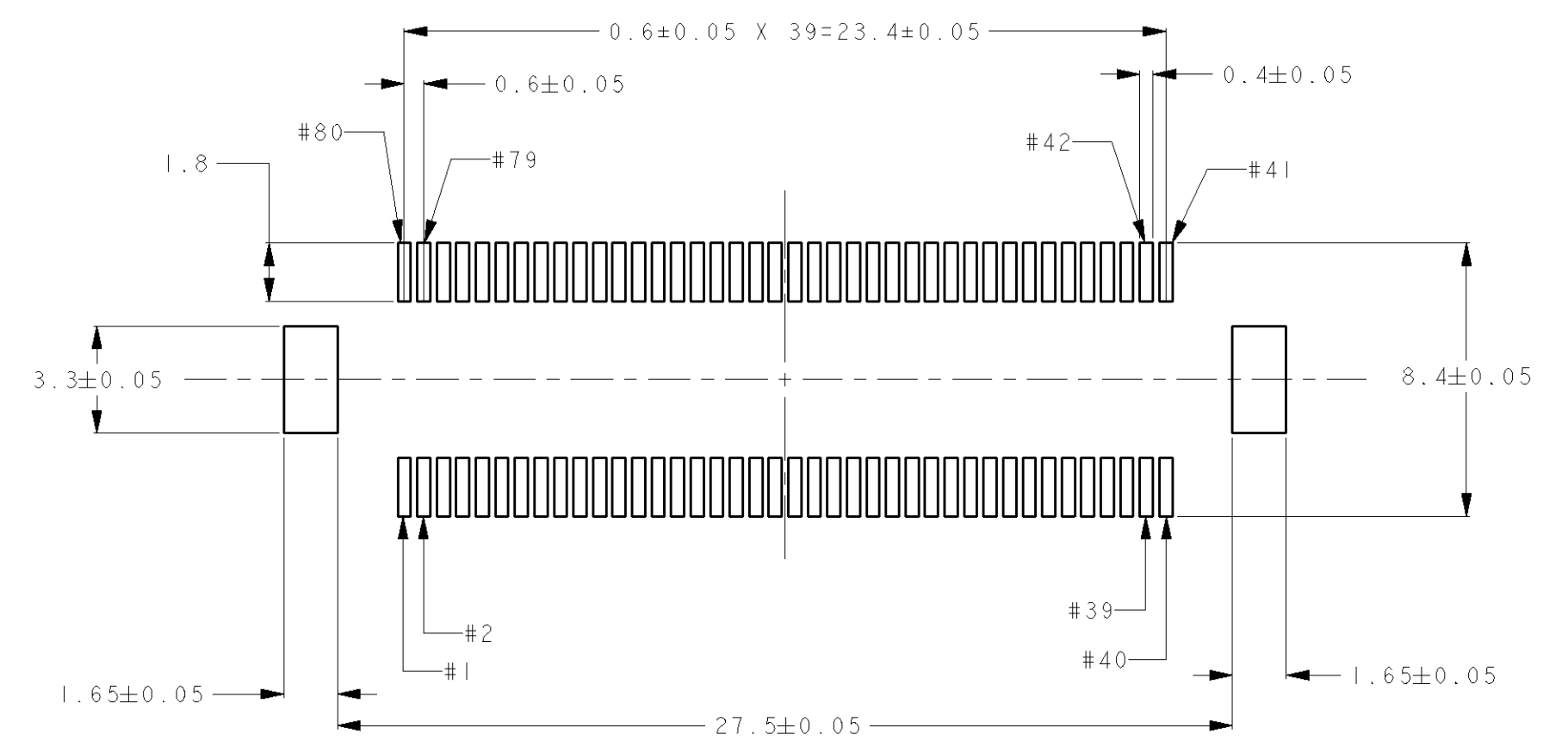
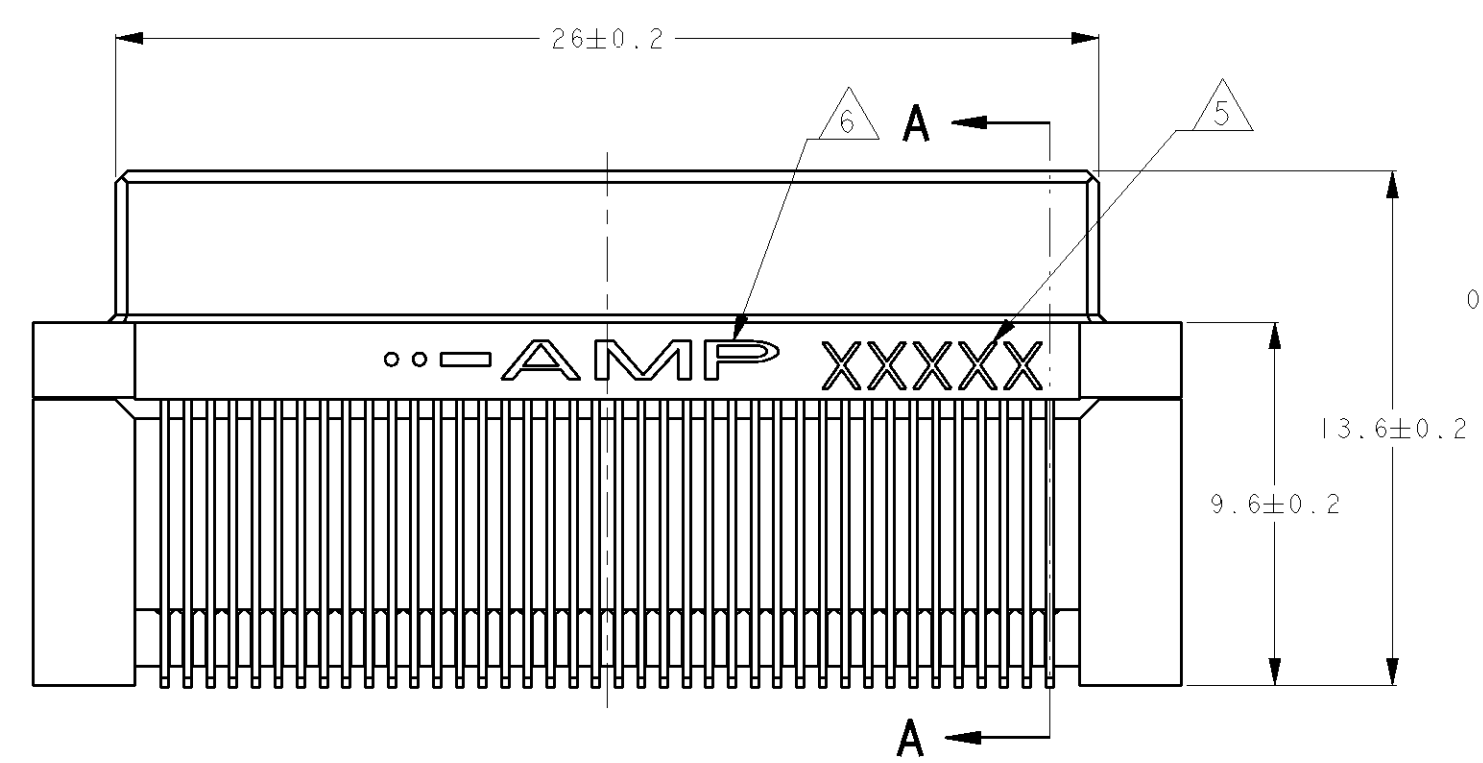
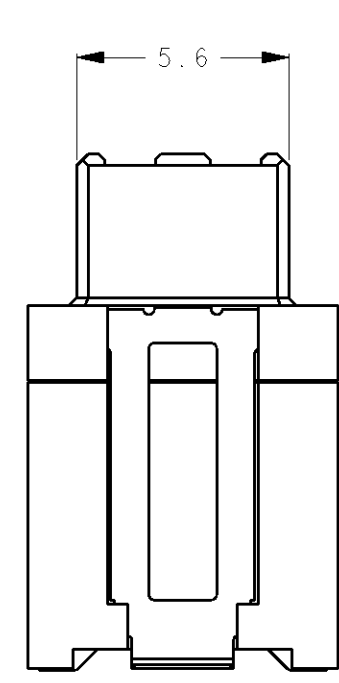
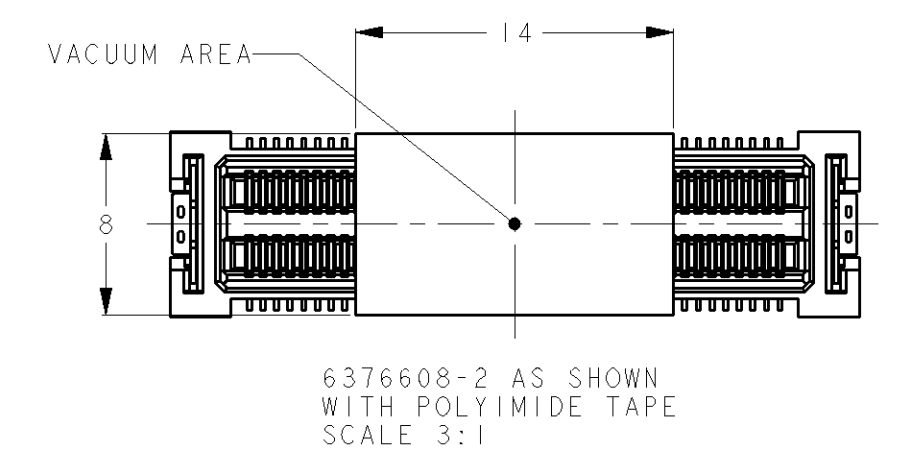
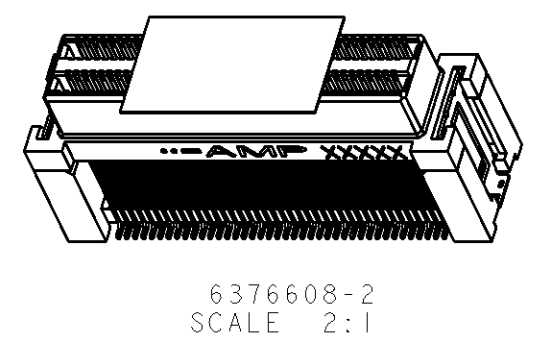
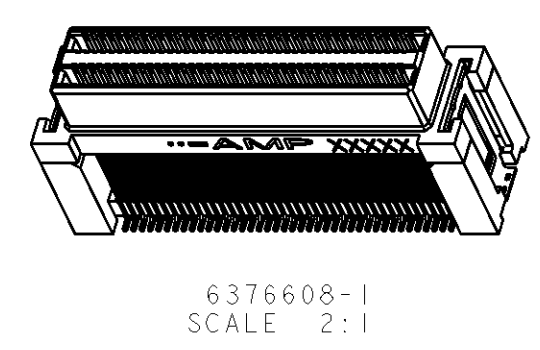
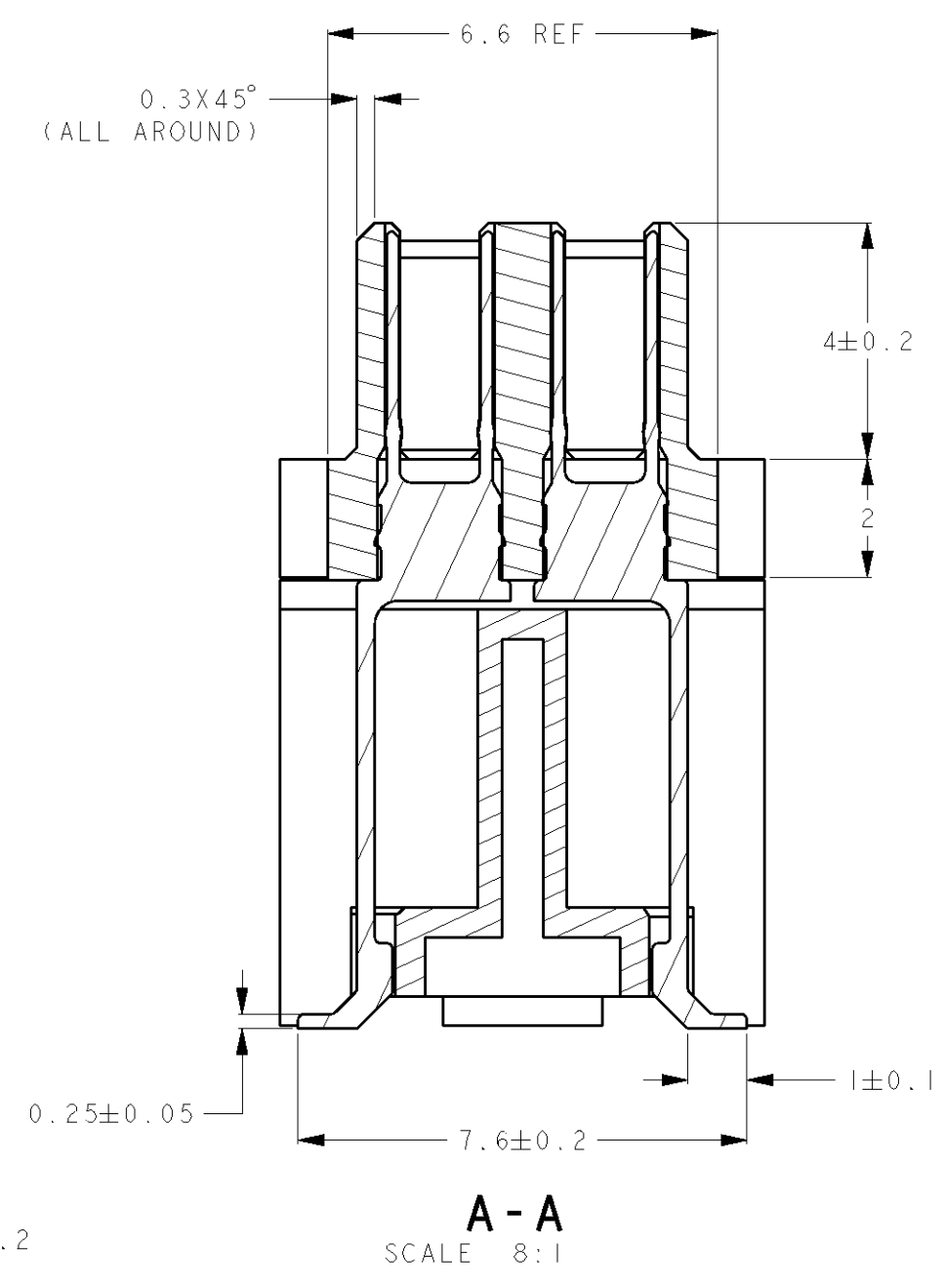
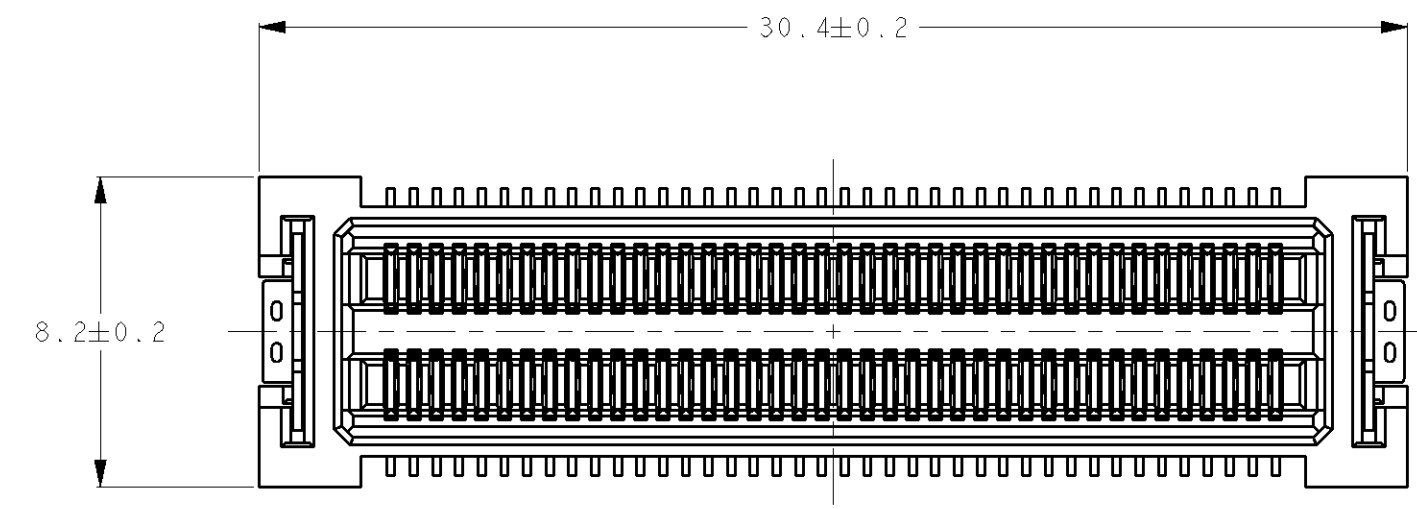


THIS DRAWING IS UNPUBLISHED. RELEASED FOR PUBLICATION 20  
 © COPYRIGHT 20 BY TYCO ELECTRONICS CORPORATION. ALL INTERNATIONAL RIGHTS RESERVED.

LOC	DIST	REVISIONS					
J	-	P	LTR	DESCRIPTION	DATE	DWN	APVD
		F		REVISED	26 JAN 2011	T.S	N.Y



6376608-1 AS SHOWN

推奨基板取付寸法  
 RECOMMENDED PCB LAYOUT

- 1 MATERIAL : HOUSING; LCP  
 ; CONTACT; COPPER ALLOY
- 2 FINISH : UNDER Ni PL. 0.8μmMIN  
 CONTACT AREA: Au PL. 0.3μmMIN  
 SOLDERING AREA: Au FLASH
- 3. COPLANARITY 0.1MAX.
- 4. SHOULD BE PUT 45 CONNECTORS IN HARD TRAY, (SEE SHEET 2)
- 5 DATE CODE IS MARKED TO CHINA PRODUCTION PRODUCT.  
 THE FACE SIDE AND BACK SIDE IS NOT ASKED.
- 6 **-AMP** : MADE IN JAPAN  
**..AMP** : MADE IN CHINA

- 1 材料:ハウジング : 液晶ポリマー  
 コンタクト : 銅合金
- 2 仕上げ : 全面ニッケル下地 0.8μmMIN  
 接点部 金メッキ 0.3μmMIN  
 半田付部 金フラッシュ
- 3. コプラナリティー 0.1MAX
- 4. 梱包形態は、ハードトレイに45個入り(シート2参照)
- 5 中国生産品に関しては、このエリアにテートコードが印字される。  
 ハウジングの表裏は問わない。
- 6 **-AMP** : 日本生産品  
**..AMP** : 中国生産品

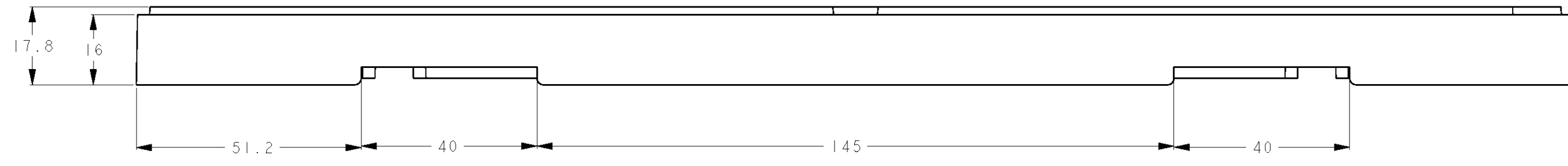
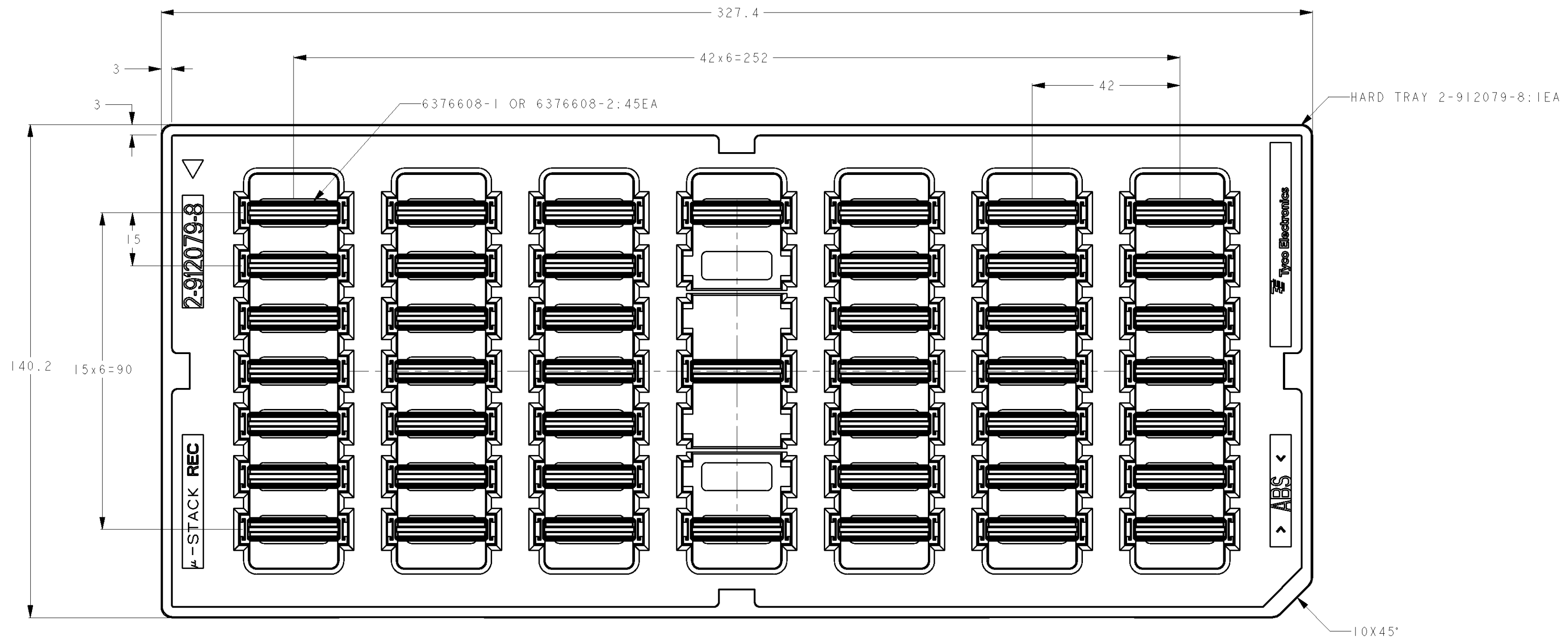
WITH POLYIMIDE TAPE	6376608-2
W/O POLYIMIDE TAPE	6376608-1
DESCRIPTION	PART NO

THIS DRAWING IS A CONTROLLED DOCUMENT FOR TYCO ELECTRONICS CORPORATION IT IS SUBJECT TO CHANGE AND THE CONTROLLING ENGINEERING ORGANIZATION SHOULD BE CONTACTED FOR THE LATEST REVISION		DWN K. Sakai 23 JAN 2006	Tyco Electronics Corporation Kawasaki, Japan	
DIMENSIONS: 単位: 絶 mm		CHK E. Takemasa 23 JAN 2006	NAME M. Kimura	
TOLERANCES UNLESS OTHERWISE SPECIFIED: 一般公差 0 PLC ±0.3 1 PLC ±0.25 2 PLC ±0.2 3 PLC ± 4 PLC ± ANGLES ±3°		APVD M. Kimura 23 JAN 2006	PRODUCT SPEC 108-5724	
MATERIAL 材料		APPLICATION SPEC 取付適用規格	SIZE CAGE CODE DRAWING NO A2p0779 C-6376608	
1 SEE NOTE		WEIGHT 3.0g	RESTRICTED TO -	
2 SEE NOTE		CUSTOMER DRAWING	SCALE 5:1 SHEET 1 OF 2 REV F	

THIS DRAWING IS UNPUBLISHED. RELEASED FOR PUBLICATION 20  
 © COPYRIGHT 20 BY TYCO ELECTRONICS CORPORATION. ALL INTERNATIONAL RIGHTS RESERVED.

LOC	DIST	REVISIONS					
J	-	P	LTR	DESCRIPTION	DATE	DWN	APVD
		-		SEE SHEET 1	-	-	-

- 1: AS SHOWN  
 - 1: 本図



HARD TRAY PACKING SPEC

45	BLACK
CONN QTY	HARD TRAY COLOR

THIS DRAWING IS A CONTROLLED DOCUMENT FOR TYCO ELECTRONICS CORPORATION IT IS SUBJECT TO CHANGE AND THE CONTROLLING ENGINEERING ORGANIZATION SHOULD BE CONTACTED FOR THE LATEST REVISION		DWN K. Sakai 23JAN2006 CHK E. Takemasa 23JAN2006 APVD M. Kimura 23JAN2006	Tyco Electronics Corporation Kawasaki, Japan
DIMENSIONS: 单位: 毫米 mm	TOLERANCES UNLESS OTHERWISE SPECIFIED: 一般公差 ± 1 0-PLC ± 0.3 1-PLC ± 0.25 2-PLC ± 0.2 3-PLC ± 0.2 4-PLC ± 0.2 ANGLES ± 3° FINISH 仕上	PRODUCT SPEC 108-5724 APPLICATION SPEC 取付適用規格	NAME REC ASSEMBLY MICRO-STACK CONNECTOR 0.6mm PITCH 80P
MATERIAL 材料	WEIGHT 3.0g	SIZE A20779	DRAWING NO C-6376608
CUSTOMER DRAWING		SCALE 1:1	SHEET 2 OF 2 REV F