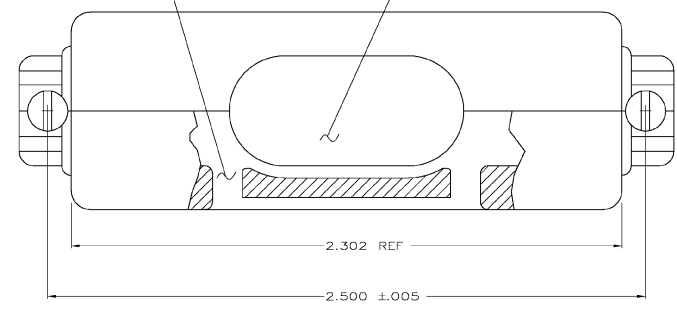


REVISONS		DATE	BY	APP'D
GP	00			
F	01			
B		REVISED PER EC 0613-0512-03	OSMARD4	BM JG

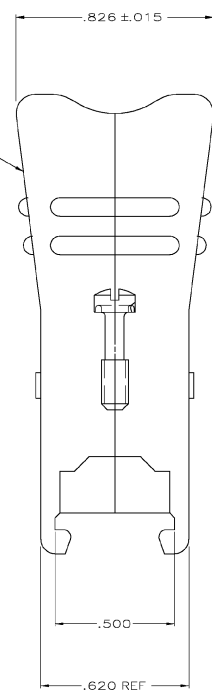
- 1 THIS PART WILL FIT ANY SIZE 4 PLUG OR RECEPTACLE IN THE AMPLITE SERIES CONNECTOR.
 - 2 ALL PARTS ARE PACKAGED UNASSEMBLED.
- ONE KIT PER POLY BAG.
 SAME AS -1 EXCEPT BULK PACKAGED

INTERNAL CABLE TIE OPENINGS

CABLE OPENING OF .358 SQUARE INCHES \approx .675 DIA

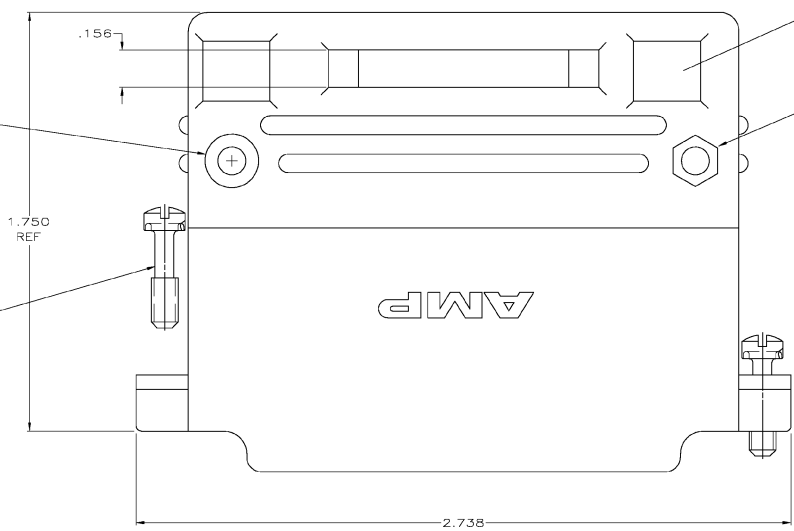


TWO PIECE CABLE SUPPORT HOUSING MATERIAL—THERMOPLASTIC GRAY



#4-40 STEEL SCREW ZINC PLATED 2 REQUIRED

#4-40 CRS SCREW ZINC PLATED 2 REQUIRED



EXTERNAL CABLE TIE OPENINGS

#4-40 HEX NUT STEEL/ZINC PLATED

	745081-2
	745081-1
PACKAGING	PART NUMBER

THIS DRAWING IS A CONTROLLED DOCUMENT.		DR: MCMMASTER	ENGR: [blank]	DATE: [blank]
DRAWN: M. WALMSLEY		CHK: [blank]	ENGR: [blank]	DATE: [blank]
OTHER: [blank]		APP: [blank]	ENGR: [blank]	DATE: [blank]
INCHES		SCALE	SIZE	DATE CODE
3 P.L.C. # - 2 P.L.C. # - 1 P.L.C. # 210 1 P.L.C. # 210 1 P.L.C. # -		APPLICATION SPEC MATERIAL FINISH TOLERANCES DIMENSIONS UNLESS OTHERWISE SPECIFIED	CUSTOMER DRAWING SCALE 4:1 SHEET 1 OF 1 REV B	RESTRICTED TO [blank]
MATERIAL: SEE CALLOUT		PART: [blank]		SIZE: A1 DATE CODE: 00779 DRAWING NO: 745081