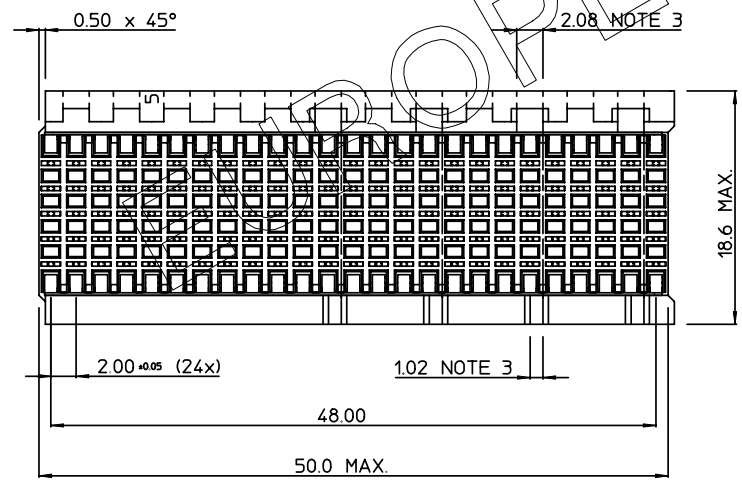
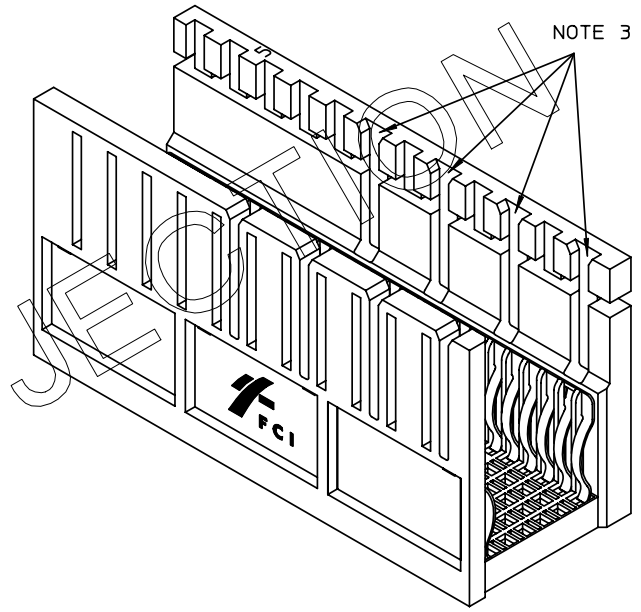
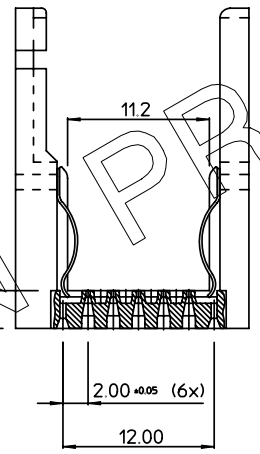
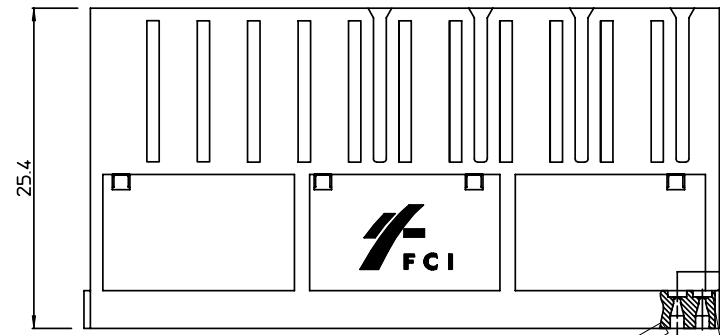
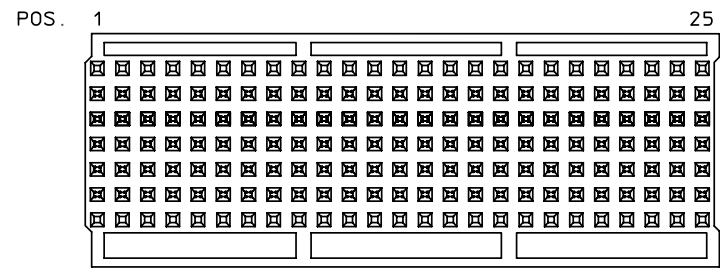


BS,C ,201995,004

B

GEN. ST.	01	02	03	04	05	06	07	08	0D	50	60	70	80	90																
INT. ST.	10	11	12	13	14	18	20	31	32	33	34	38	39	40	42	43	44	45	46	48	56	70	72	73	76	81	82	83	84	88

REV.	DATE	DESCRIPTION	BY	C'K'D'
A	2003-01-21	CONVERSION REVISION OF	KN	
B	2006-08-03	106-0119	VIVEK	BKP



PART NR.	KEYED SLOT POS.
HM2H00P16	NO KEYED SLOTS
HM2H27P16	2, 6, 20, 24
HM2H28P16	16, 20, 24
HM2H29P16	12, 16, 20, 24
HM2H30P16	3, 7, 11
HM2H36P16	3, 7, 11, 15, 19, 23

NOTES :

- MATERIAL : HOUSING : GLASSREINFORCED POLYESTER UL94-V0
SPRING CONTACTS : COPPER ALLOY
- PLATING : 2.5 - 6.4 μ SnPb (90/10) OVER 1.2 - 3.8 μ Ni.
- LOCATIONS OF SLOTS SEE TABLE ABOVE. AS EXAMPLE THE SHROUD TYPE HM2H29P16 IS DRAWN WITH DISCRIMINATION - POLARISATION SLOTS IN POSITIONS 12, 16, 20 AND 24.

1DEC ±0.2 2DEC ±0.1 ANGLES ±1°	APPR.	DATE	SIGN.	MRV SHROUDS 50 MM FOR SCHLUMBERGER / SHIELDED
	DRAFT	1995-09-07	G.Droesbeke	CAT. No. HM2H--P16
WE RESERVE THE RIGHT TO CHANGE DIMENSIONS OR REQUIREMENTS WITHOUT PRIOR NOTICE.	CHECKED			SCALE
ALL DIMENSIONS IN MM	PROD. MGR.			2.5/1
	PR. ENG. MGR.			www.fciconnect.com
	PR. MGT. MGR.			
	REFERENCES			BS,C ,201995,004
				B
				DRAWING No. CUSTOMER DRAWING REVISION

THIS IS OUR EXCLUSIVE PROPERTY. IT IS NOT TO BE COPIED, REPRINTED OR DISCLOSED TO A THIRD PARTY. NOR USED FOR MANUFACTURE WITHOUT OUR WRITTEN CONSENT, AND HAS TO BE RETURNED TO US IN CASE OF NO USAGE

DIT IS ONZE EIGENDOM EN MAG NOCH NAERMAAKT, HERDRUKT, OVERGEMAAKT AAN DERDEN, NOCH VOOR FABRIKATIE GEBRUIKT WORDEN, ZONDER ONZE SCHRIFTELIJKE TOELATING. BIJ NIET GEBRUIK IS TERUGZENDING VERPLICHT.