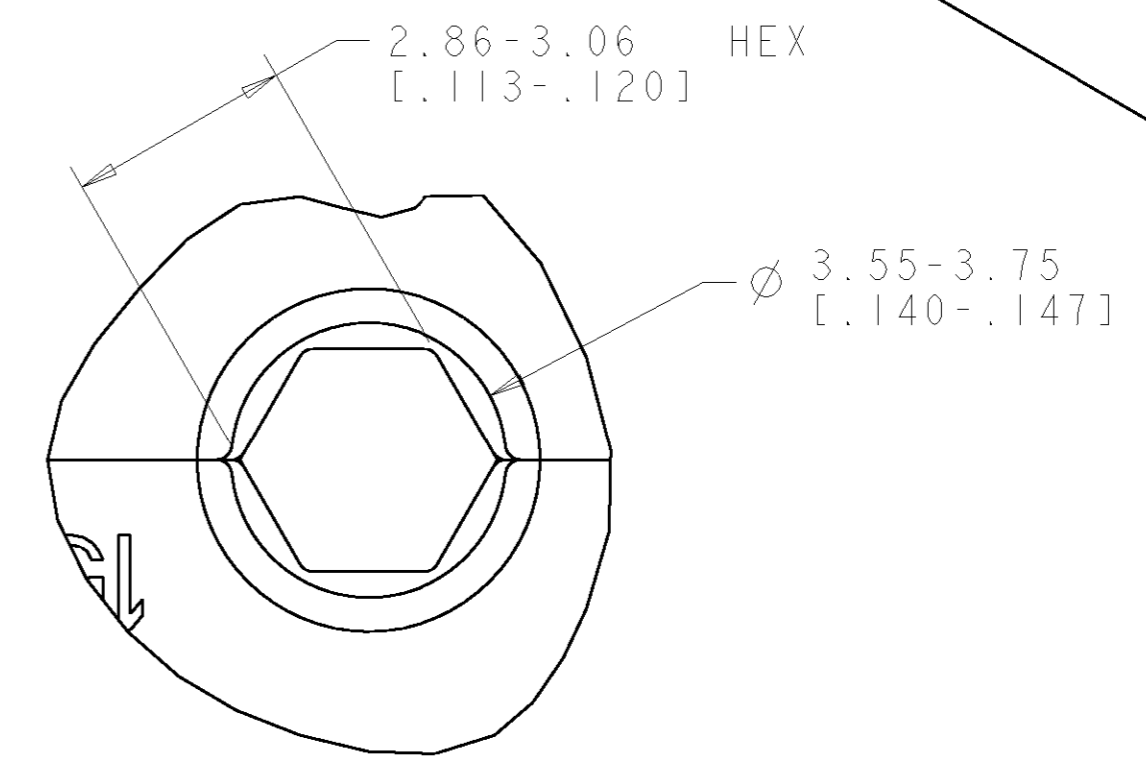
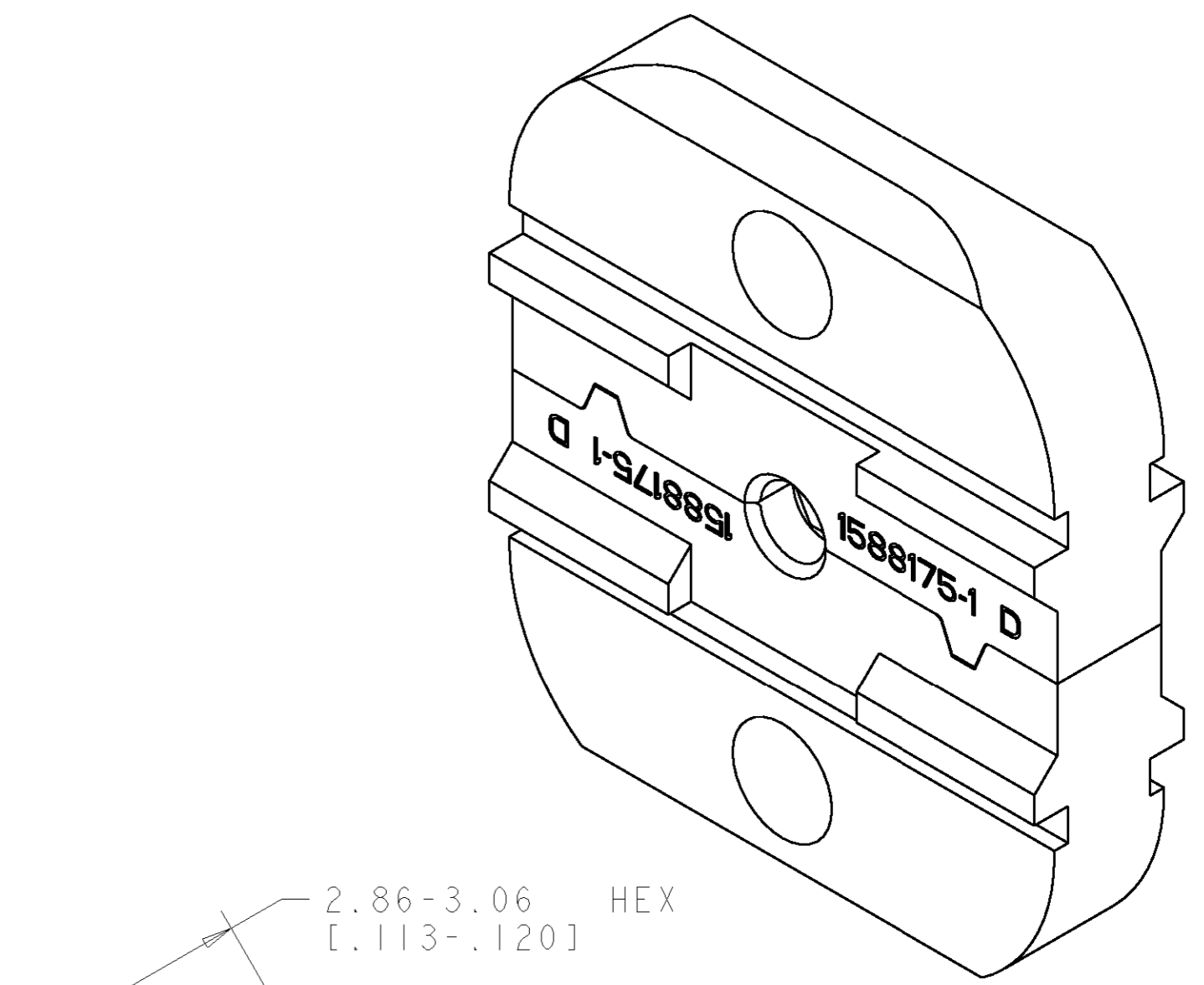
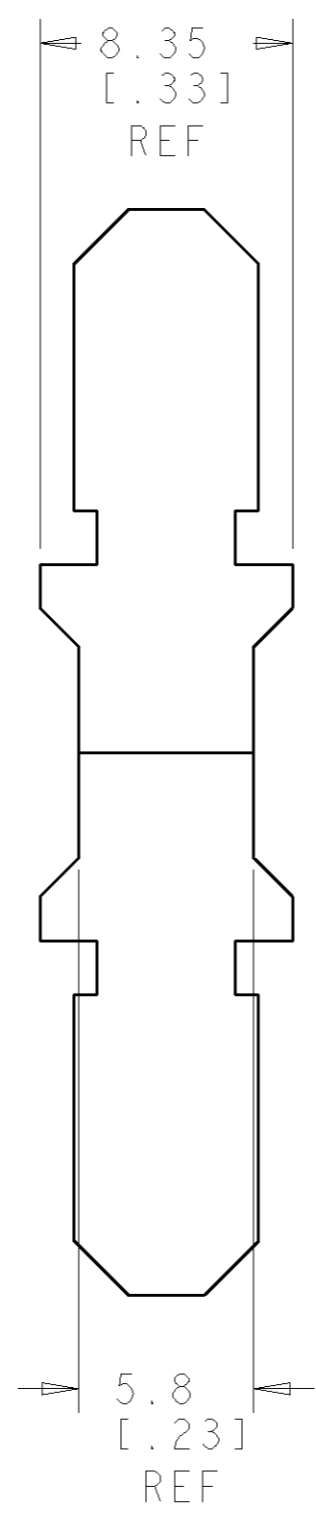
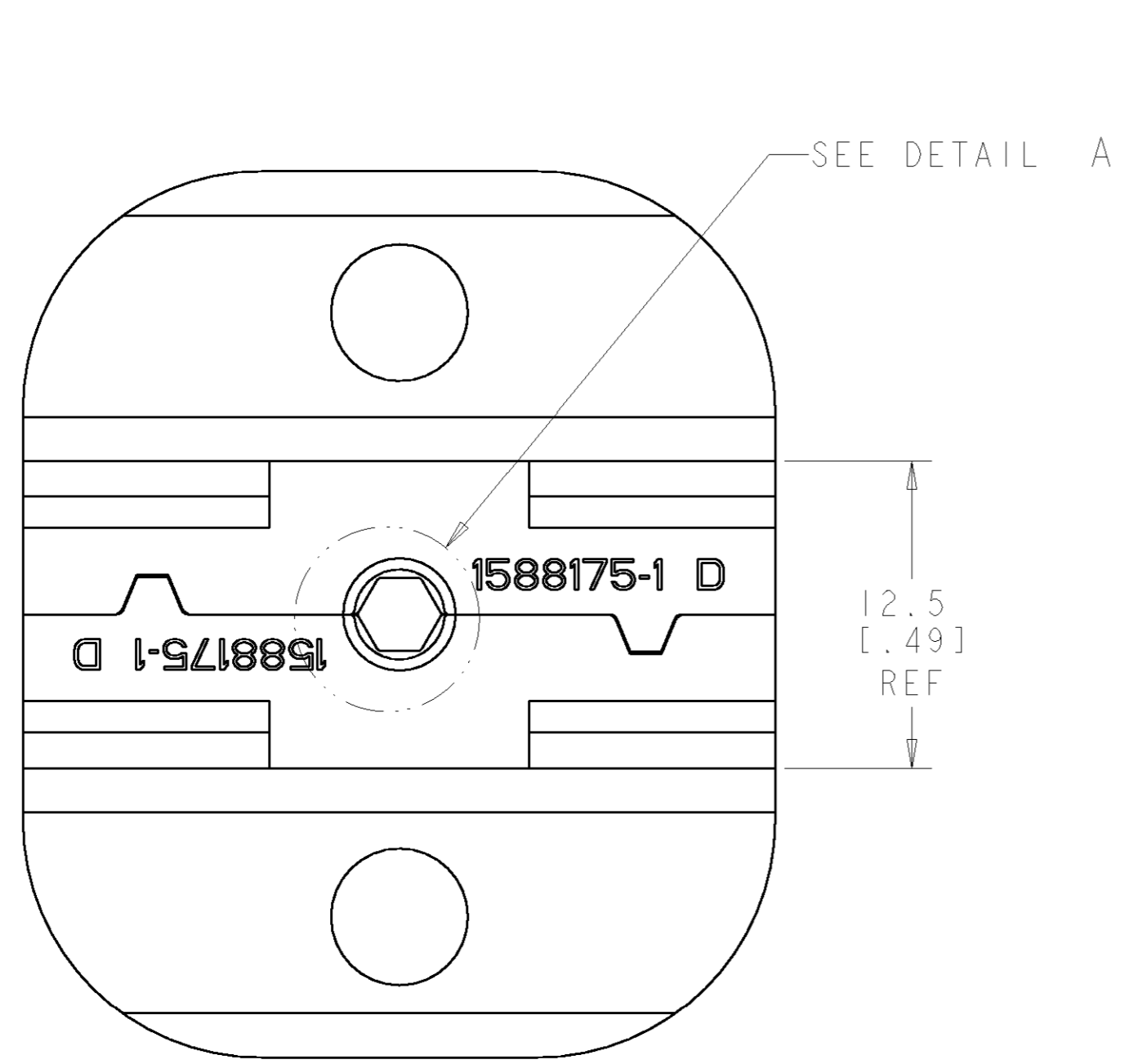


THIS DRAWING IS UNPUBLISHED. RELEASED FOR PUBLICATION 20
 © COPYRIGHT 20 BY TYCO ELECTRONICS CORPORATION. ALL RIGHTS RESERVED.

| LOC | DIST | REVISIONS | | | | | |
|-----|------|-----------|-----|-------------------------|-----------|-----|------|
| CE | 00 | P | LTR | DESCRIPTION | DATE | DWN | APVD |
| | | A | | REV PER 0A00-0496-01 | 06DEC01 | DDE | MB |
| | | B | | REL PER EC 0A00-0075-03 | 18FEB03 | LGE | SM |
| | | D | | REVISE PER 0A00-0503-04 | 27SEP2004 | BB | CB |

1. DIMENSIONS TO BE INSPECTED WITH DIE HALVES FULLY MATED.



DETAIL A
SCALE 10:1

1588175-1
PART NO

| | | | |
|----------------------------------------------------------------------------------------------------------------------------------------------------------------------------------------------------------|---------------------------------------------------------------------------------------------------------------------|-------------------------------------------------------------------------------------|----------------------------------------------------------------------------------------------------------------------------|
| <small>THIS DRAWING IS A CONTROLLED DOCUMENT FOR TYCO ELECTRONICS CORPORATION. IT IS SUBJECT TO CHANGE AND THE CONTROLLING ENGINEERING ORGANIZATION SHOULD BE CONTACTED FOR THE LATEST REVISION.</small> | | DWN D. ERDMAN 29NOV2001 CHK M. BURKHOLDER 29NOV2001 APVD S. BUCHTER 29NOV2001 | tyco Tyco Electronics Electronics Harrisburg, PA 17105-3608 |
| DIMENSIONS: mm [INCHES] | TOLERANCES UNLESS OTHERWISE SPECIFIED: 0 PLC ± 1 PLC ± 2 PLC ± 3 PLC ± 4 PLC ± ANGLES ± FINISH | PRODUCT SPEC - APPLICATION SPEC - WEIGHT - | NAME DIESET, LC AND AMP SC/FC TYPE, 1.6mm - 2.4mm CABLE SIZE A2 CAGE CODE 00779 DRAWING NO C-1588175 RESTRICTED TO - |
| MATERIAL - | | CUSTOMER DRAWING | SCALE 4:1 SHEET 1 OF 1 REV D |