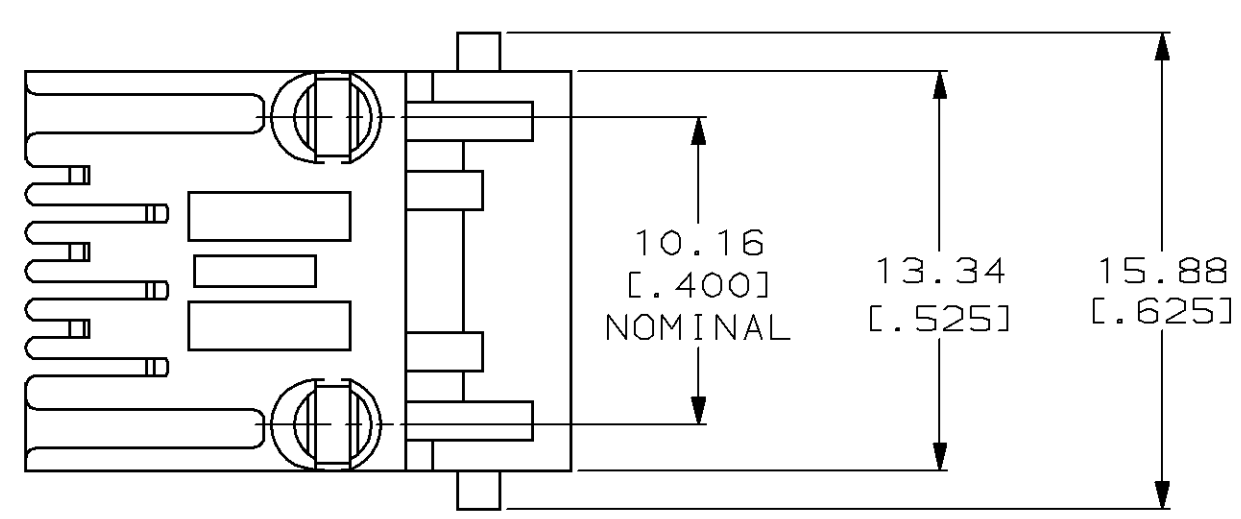
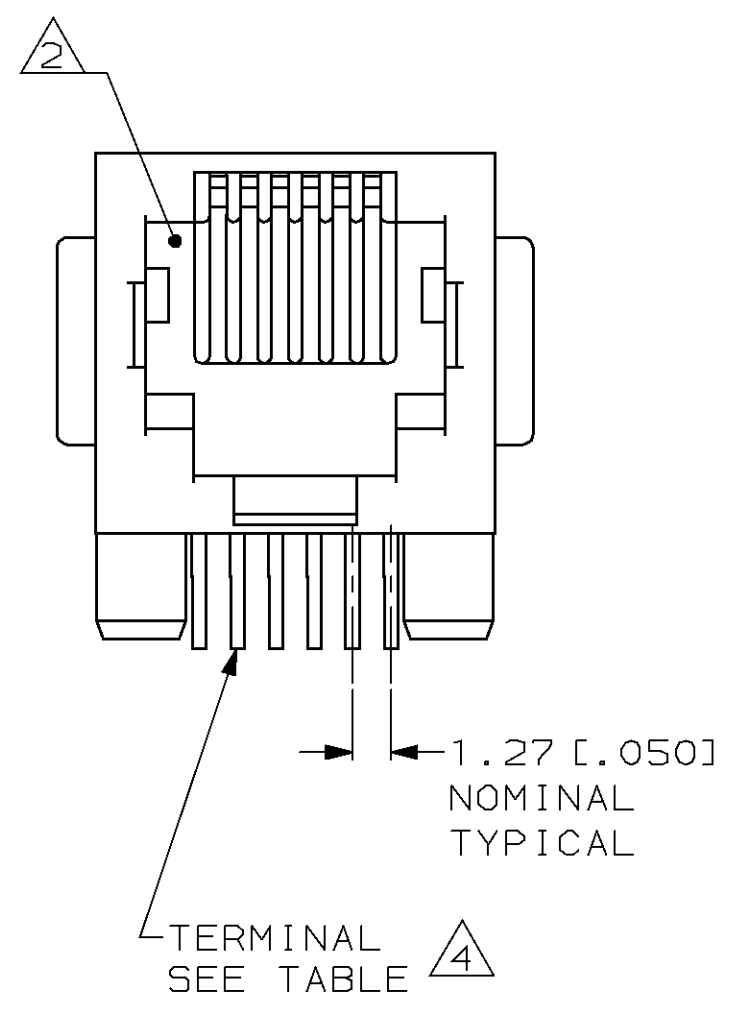
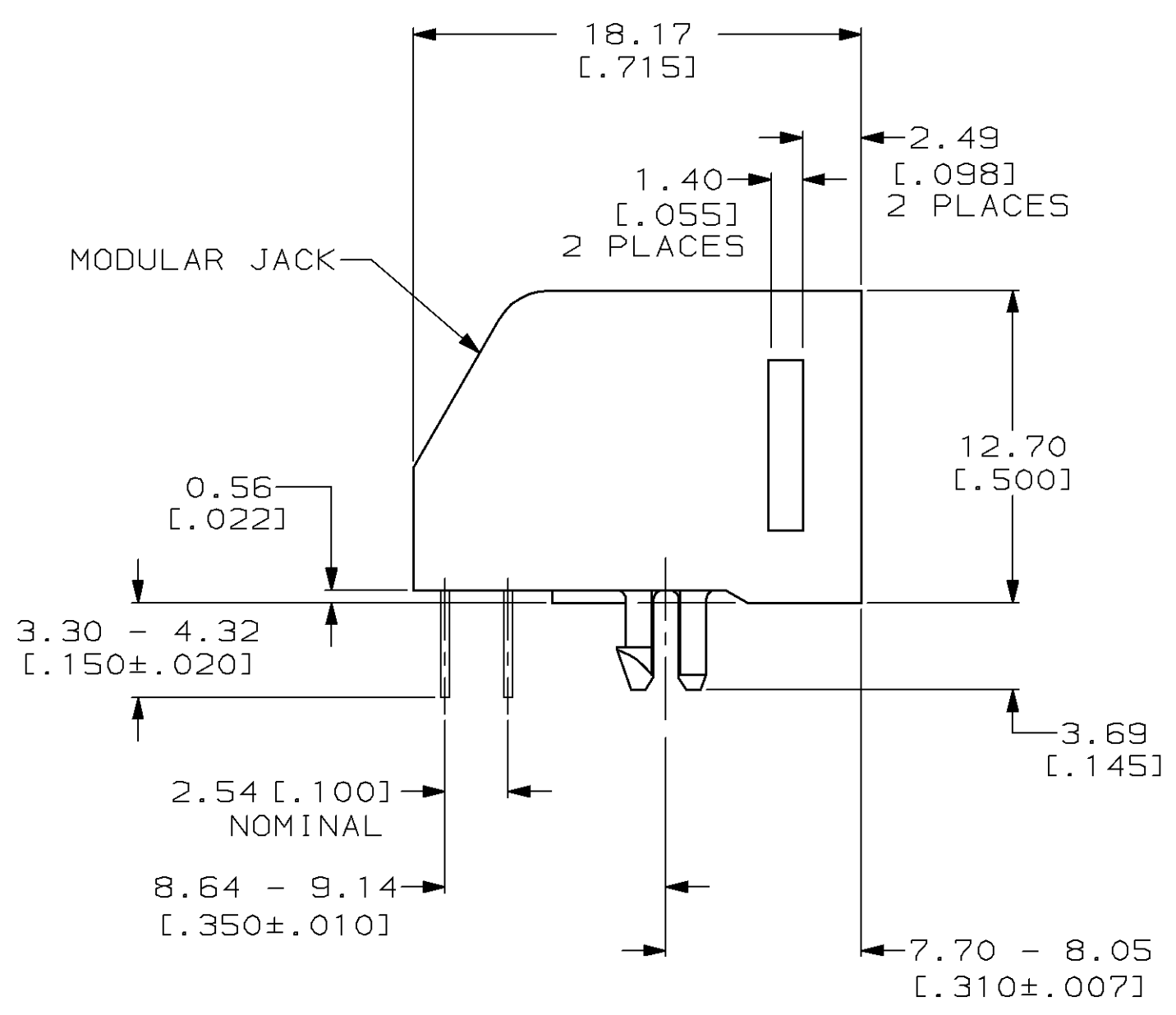
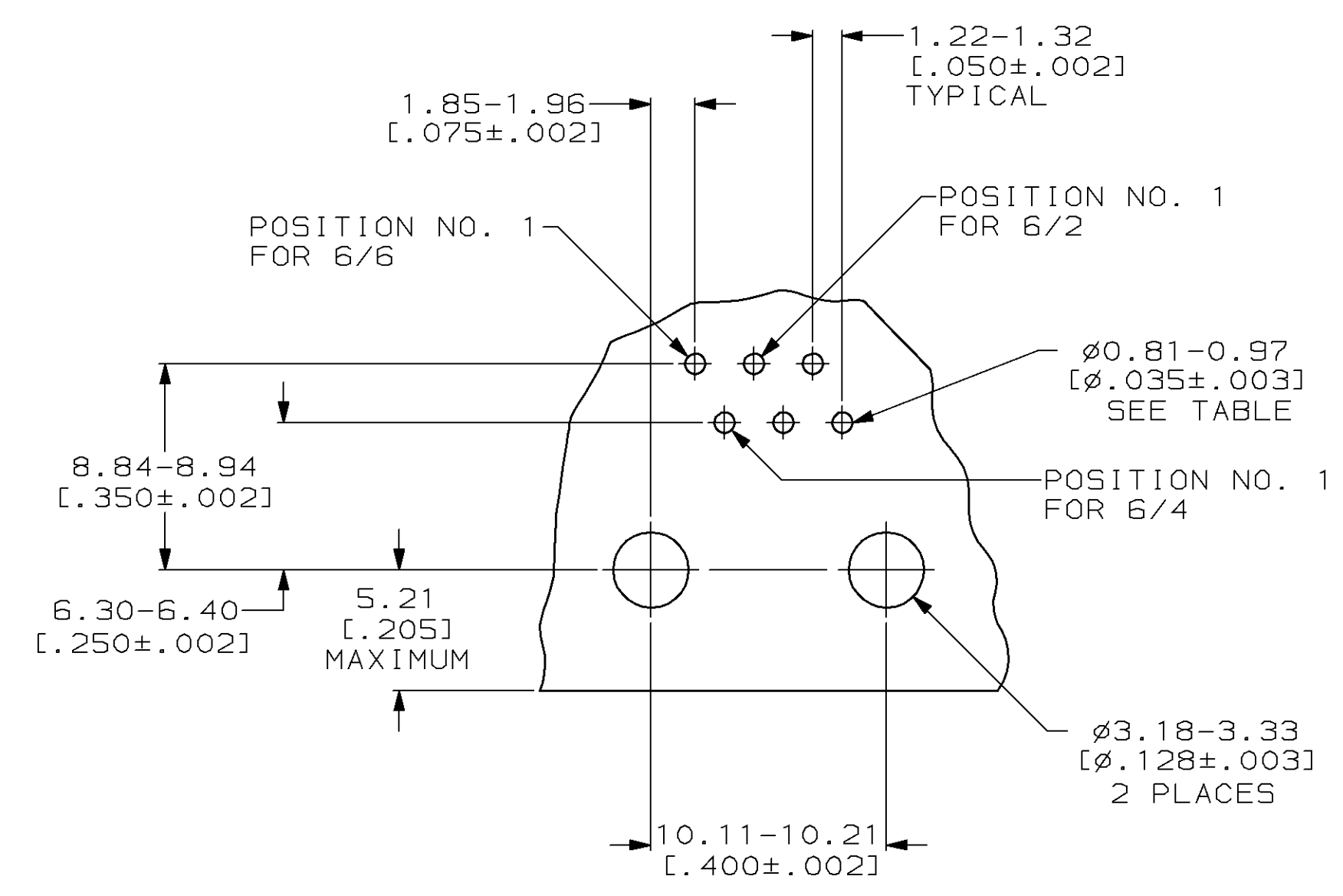


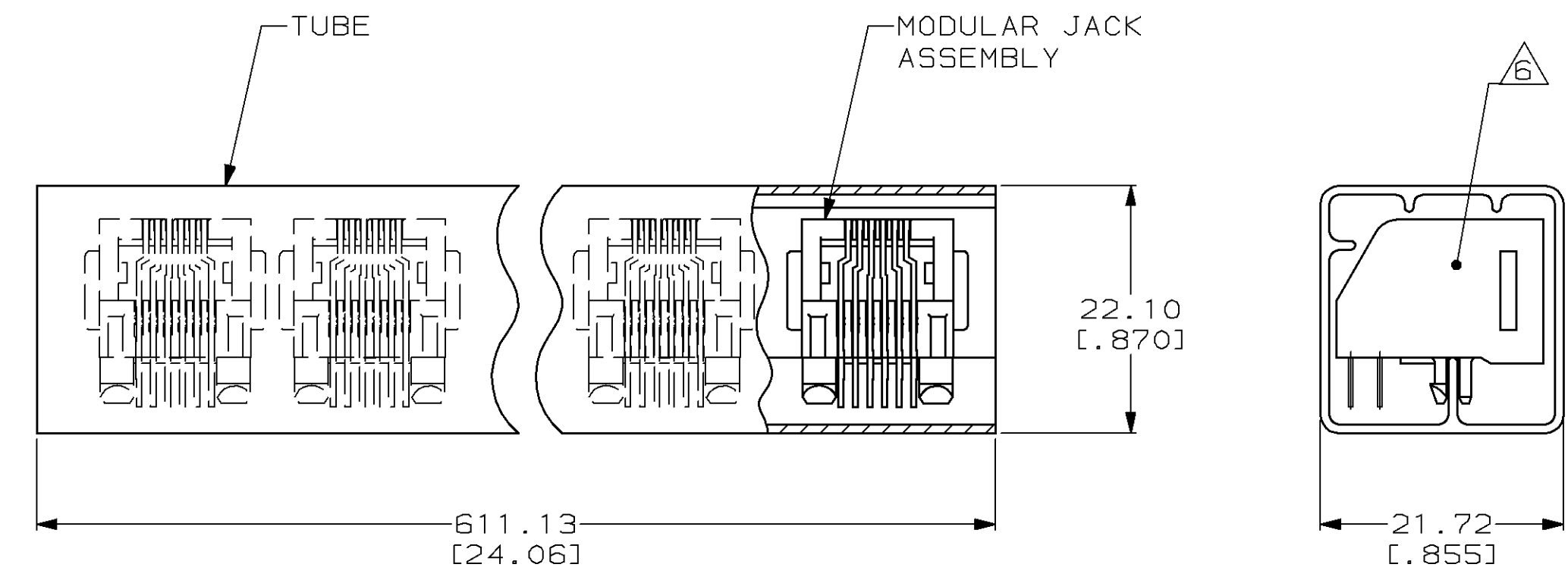
LOC	DIST	REVISIONS			
P	LTR	DESCRIPTION	DATE	OWN	APVD
H	REV, EC	0502-0353-98	10JUN98	DLD	CMB



- 1 MATERIAL: HOUSING - PBT POLYESTER, BLACK.
TERMINAL - 0.35 [.0138] THICK PHOSPHOROUS-BRONZE PLATED WITH 1.27µm [.000050] THICK HARD GOLD IN LOCALIZED GOLD PLATE AREA AND 2.03µm [.000080] THICK TIN LEAD IN SOLDER AREA OVER 1.27µm [.000050] THICK NICKEL UNDERPLATE.
- 2 CAVITY CONFORMS TO FCC RULES AND REGULATIONS PART 68, SUBPART F.
- 3 DIMENSIONS ARE MAXIMUM UNLESS OTHERWISE SPECIFIED.
- 4 TERMINALS FOR 555163-2 AND -5 LOCATED IN CENTER POSITIONS.
- 5 BULK PACKAGED IN A TRAY.
- 6 PACKAGED 36 ASSEMBLIES PER TUBE WITH BOTH ENDS CLOSED. SEE DETAIL A.



SUGGESTED PRINTED CIRCUIT BOARD MOUNTING HOLE LAYOUT VIEW SHOWN AS COMPONENT SIDE OF BOARD



DETAIL A SCALE 2:1

PACKAGED	TERMINALS REQUIRED	PART NUMBER
2	5	555163-5
6	5	555163-4
4	5	555163-2
6	5	555163-1

THIS DRAWING IS A CONTROLLED DOCUMENT.

DWN DL DRUMMOND 25-MAR-98	AMP Incorporated Harrisburg, PA 17105-3608
OK DL DRUMMOND 25-MAR-98	AMP Incorporated Harrisburg, PA 17105-3608
APVD CM BEIGHTOL 25-MAR-98	NAME MODULAR JACK ASSEMBLY, 6 POSITION, LOW PROFILE, RIGHT ANGLE, WITH PANEL STOPS
DIMENSIONS: mm [INCHES]	TOLERANCES UNLESS OTHERWISE SPECIFIED:
0 PLC ±.01	1 PLC ±.01
1 PLC ±.01	2 PLC ±.01
2 PLC ±.01	3 PLC ±.01
3 PLC ±.01	4 PLC ±.01
4 PLC ±.01	ANGLES ±.01
MATERIAL	FINISH
WEIGHT	RESTRICTED TO
CUSTOMER DRAWING	SCALE 4:1

AMP 4805 REV 11JUN97