

THIS DRAWING IS UNPUBLISHED.

RELEASED FOR PUBLICATION

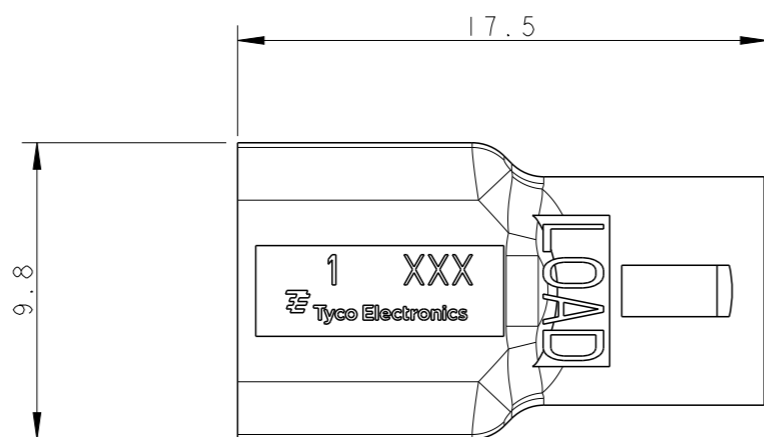
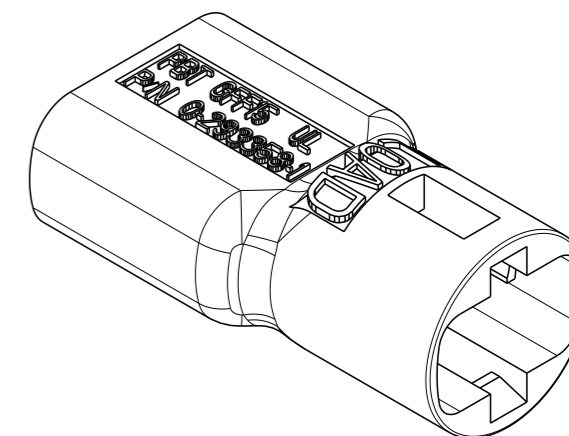
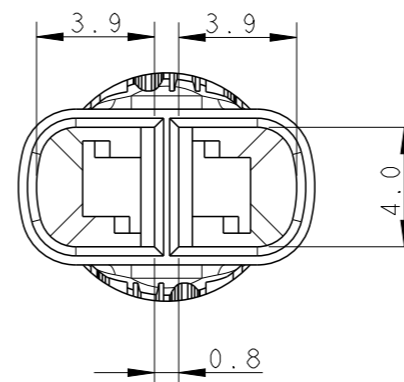
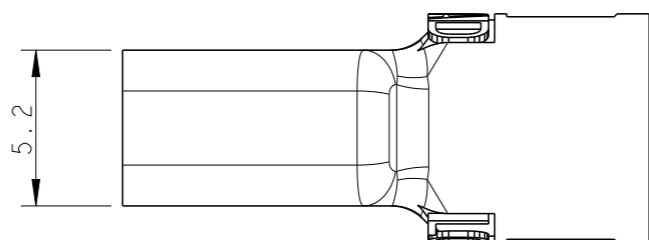
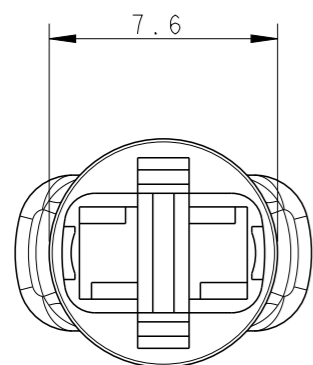
20

© COPYRIGHT 20 BY -

ALL RIGHTS RESERVED.


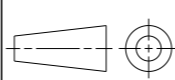
REVISIONS

P	LTR	DESCRIPTION	DATE	DWN	APVD
	A	FIRST ISSUE	11FEB2009	AV	GT
	B	ADDED LOAD MARKS	07JUL2011	AV	GT
	C	REVISED PER ECR-14-004322	27MAR2014	RS	DD



- Space inside designed for cable type SPT - 2 2xAWG18
- Counterparts see drawings for PN 293387 and 293388

WHITE	PBT GF15% UL94 V0	0-293358-1	C
COLOUR	MATERIAL	TE P/N	REV

THIS DRAWING IS A CONTROLLED DOCUMENT.		DWN A. Vecchia 11FEB2009	 TE Connectivity	
DIMENSIONS: mm		CHK G. Turco 11FEB2009		
TOLERANCES UNLESS OTHERWISE SPECIFIED:		APVD G. Turco 11FEB2009	NAME 7.5mm MiniHVL Connector System TUBE for SPT-2 cable	
		PRODUCT SPEC -	-	
0 PLC ±- 1 PLC ±0.3 2 PLC ±0.13 3 PLC ±0.013 4 PLC ±0.0001 ANGLES ±-		APPLICATION SPEC -	-	
MATERIAL SEE TABLE		WEIGHT 0.39g	SIZE A300779	DRAWING NO C-293358
-		Customer Drawing	SCALE 4:1	SHEET 1 OF 1
-				RESTRICTED TO - REV C