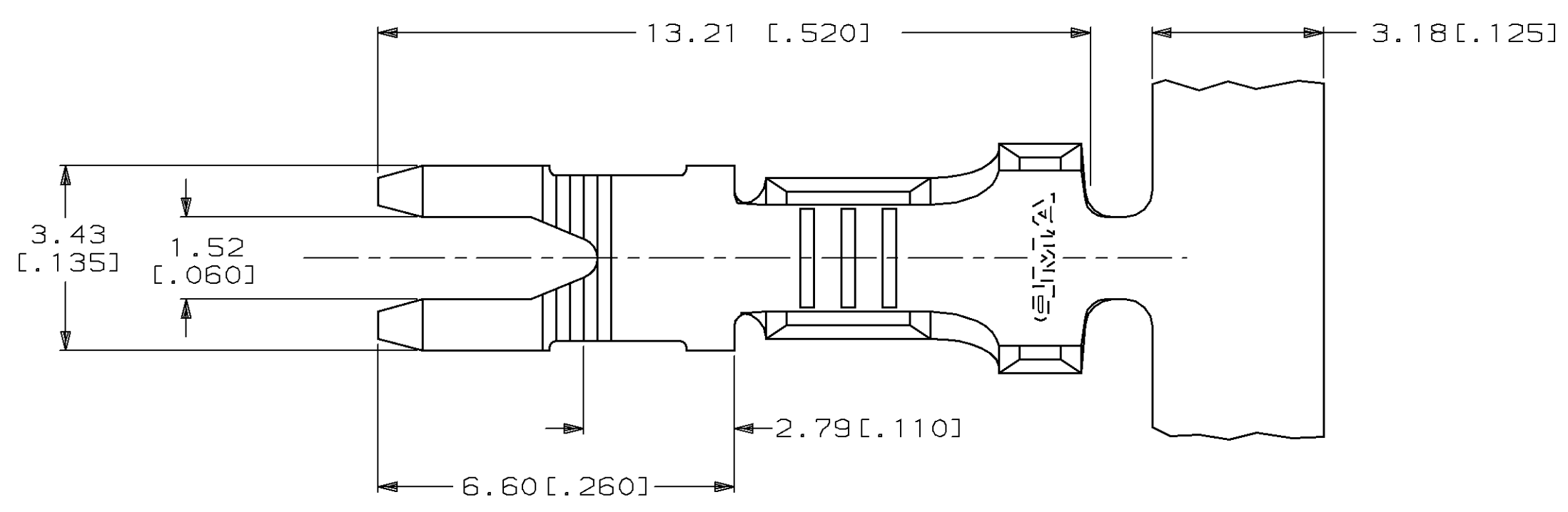
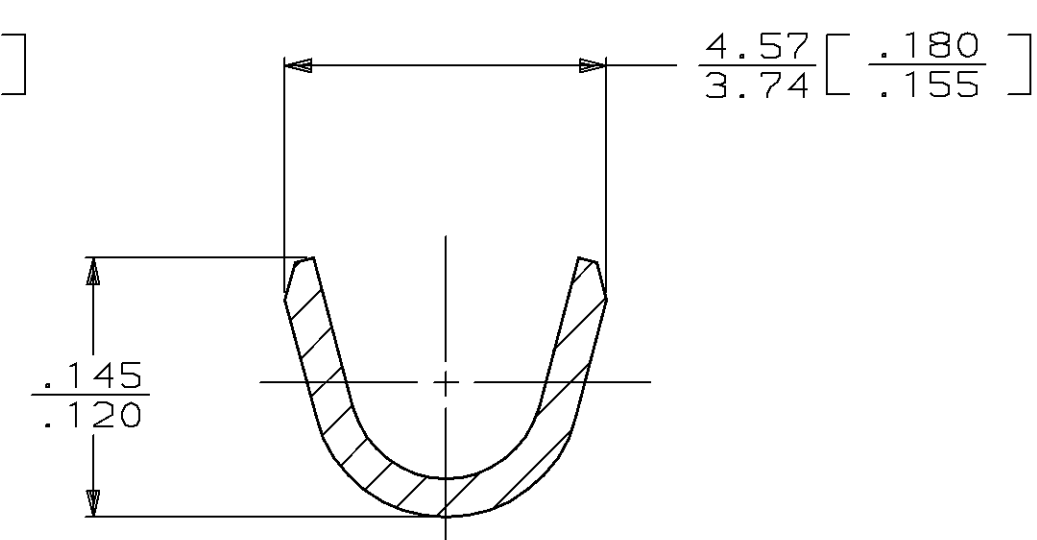
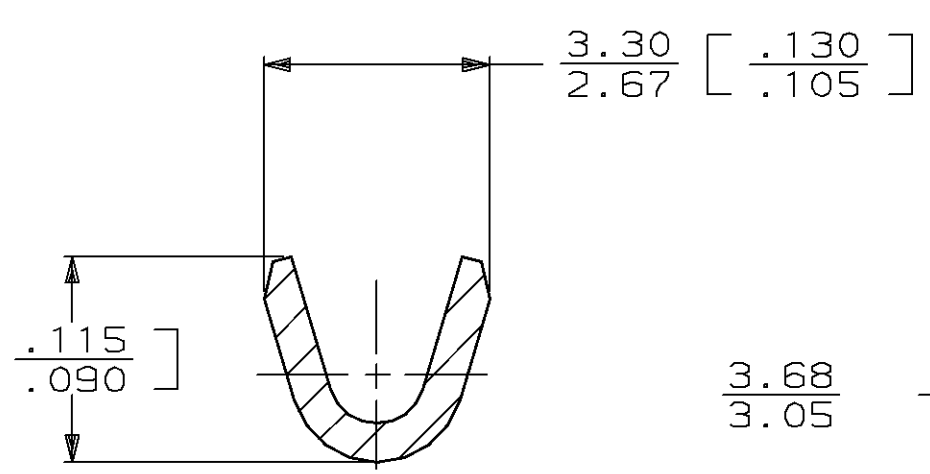
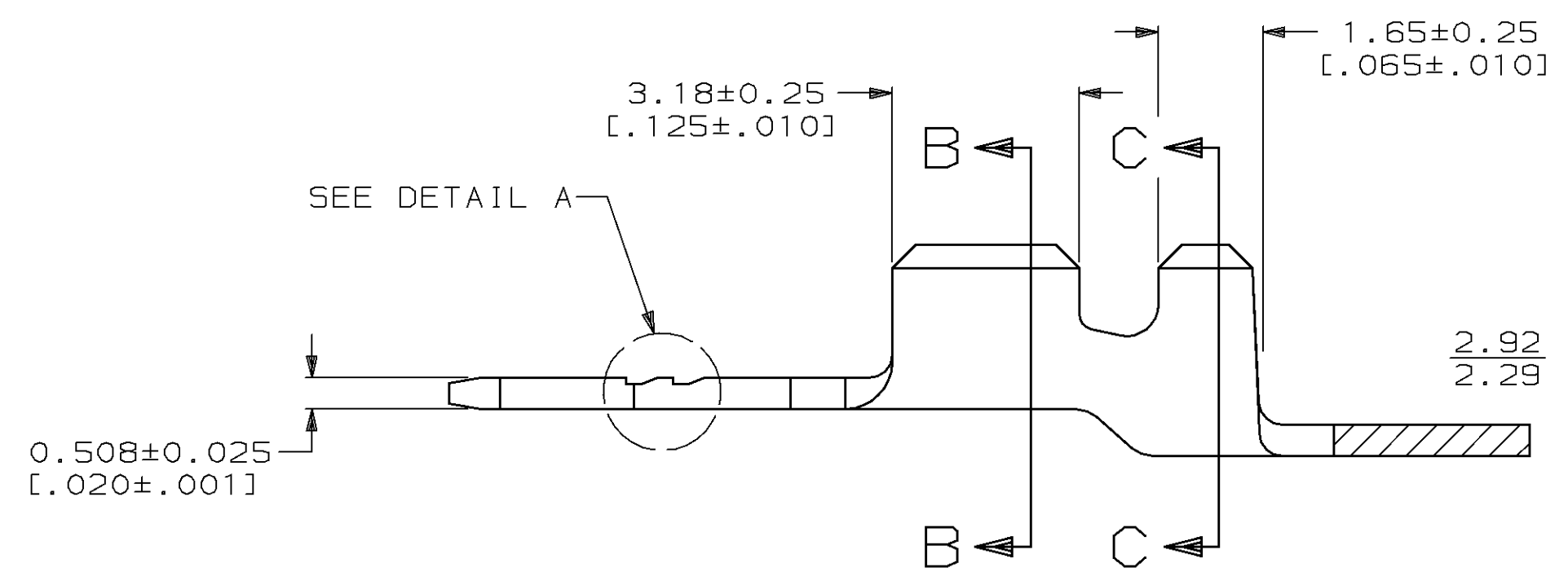


THIS DRAWING IS UNPUBLISHED. RELEASED FOR PUBLICATION
 © COPYRIGHT 19 BY AMP INCORPORATED. ALL INTERNATIONAL RIGHTS RESERVED.

LOC	DIST	P	F	ZONE	LTR	DESCRIPTION	DATE	APPD
AF	50				C	REVISED PER 0204-93	8/4/93	PF/MF

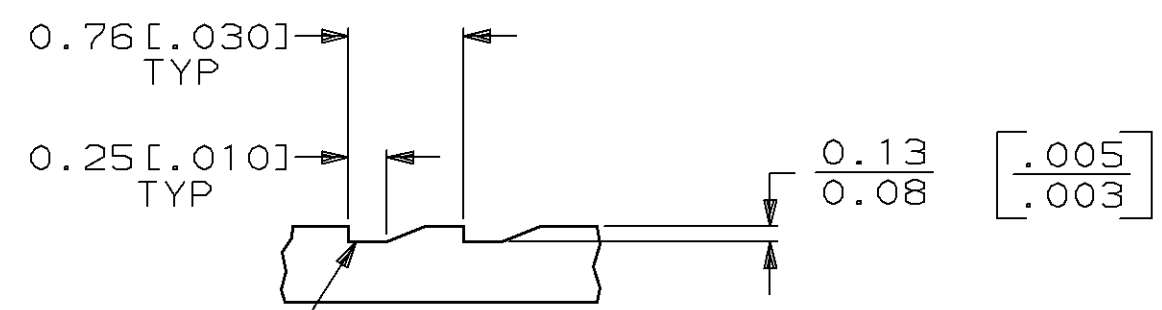


1 CONTINUOUS STRIP ON REELS
 △ FOR OPTIMUM RETENTION IN POKE-IN TYPE MAG-MATE TERMINALS, ONE OF THE SERRATIONS AS SHOWN MUST BE ENGAGED WITH THE EDGE OF THE LEAF



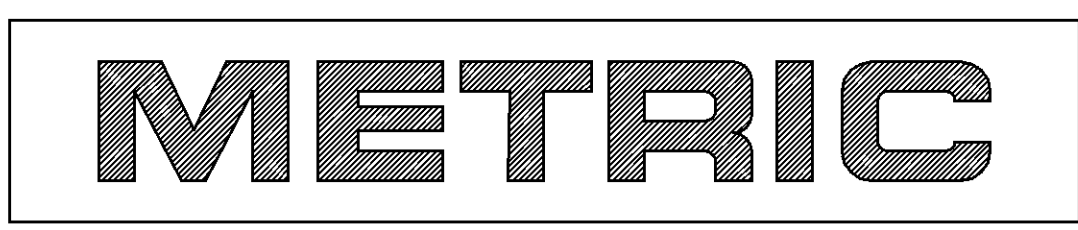
SECTION B-B

SECTION C-C



DETAIL A
SCALE 20:1

PROPOSED DESIGN
NOT RELEASED FOR
PRODUCTION



	1.52 - 2.54 [.060-.100]	0.3-0.8 mm ² [22 - 18]	63574-1
	INSULATION RANGE	WIRE RANGE	PART NO
DO NOT SCALE PRINT. UNLESS SPECIFIED DIMENSIONS IN mm [INCHES] TOLERANCES ON : 2 PLC DEC ± - 3 PLC DEC ± 0.38 [.015] ANGLES ± -	DR 2/23/90 M.S. FEHER	AMP INCORPORATED Harrisburg, Pa. 17105	
	CHK 2/23/90 JR RUTH		
MATERIAL	APPD 2/23/90 TL SHUTTER	NAME	
#2 HARD BRASS	PRODUCT SPEC	TAB, POKE-IN, MAG-MATE™	
FINISH	APPLICATION SPEC	SIZE	FSCM NO
TIN PER MIL-T-10727 .002032 [.000080] THK	-	C	00779
	WEIGHT	SCALE	DRAWING NO
	-	10:1	63574
			SHEET 1 OF 1