

4

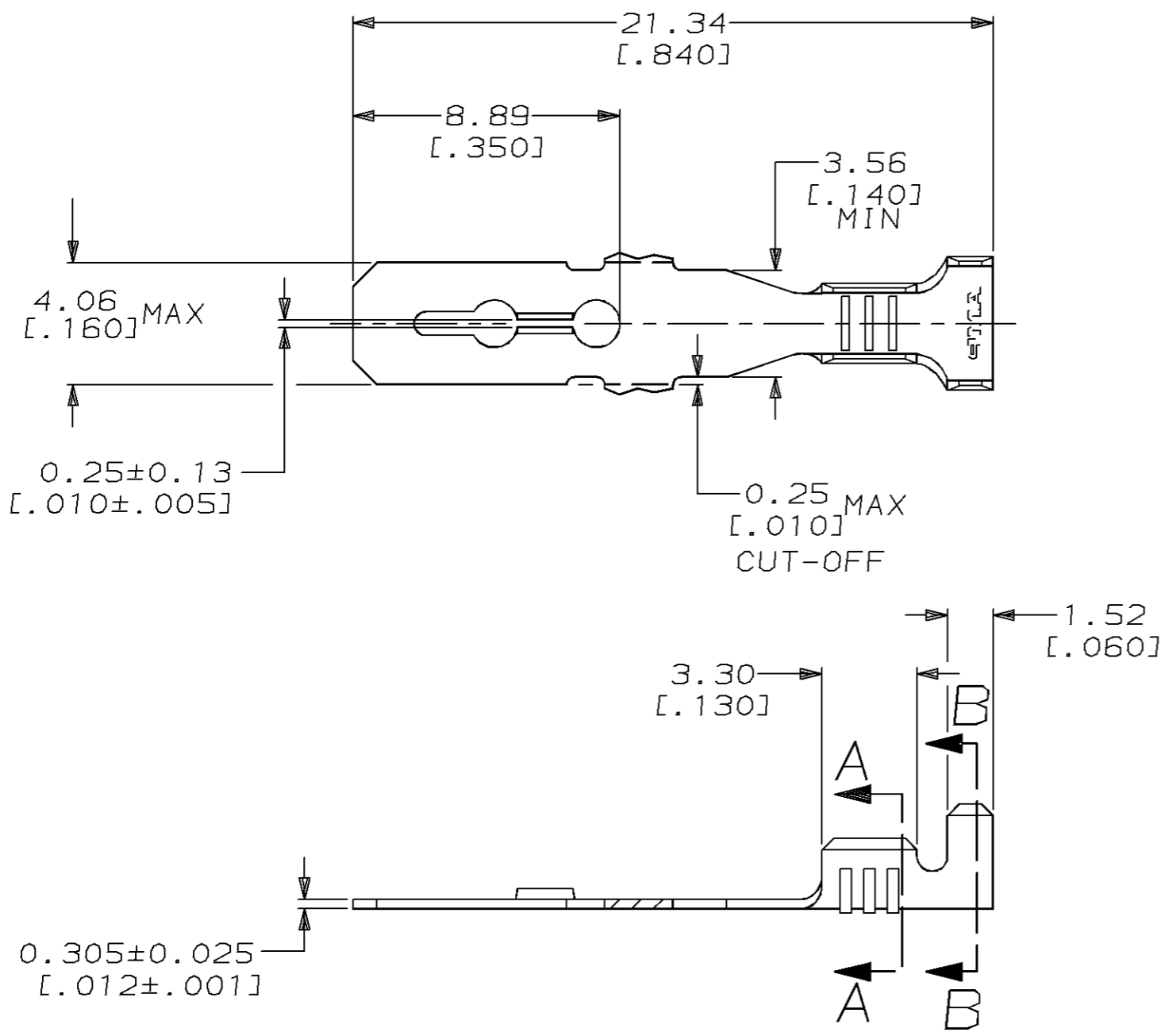
3

2

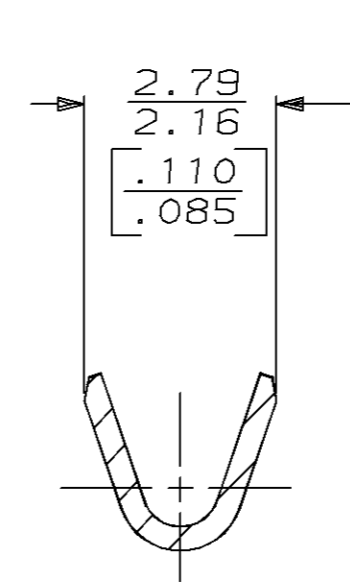
1

THIS DRAWING IS UNPUBLISHED. RELEASED FOR PUBLICATION ,19 .  
 © COPYRIGHT 19 BY AMP INCORPORATED. ALL RIGHTS RESERVED.

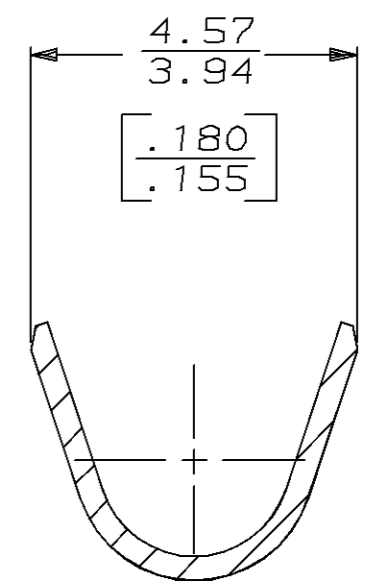
LOC	DIST	REVISIONS					
		P	LTR	DESCRIPTION	DATE	DWN	APVD
AF	50		A	RELEASED PER FASR & 0L10-0119-96	02/OCT/96	PF	PF



1 CONTINUOUS STRIP ON REEL.



SECTION A-A  
SCALE 10:1



SECTION B-B  
SCALE 10:1

1.90-2.79 [.075-.110] DIA	[22-18] AWG	63934-1
INSULATION RANGE	WIRE RANGE	PART NUMBER

THIS DRAWING IS A CONTROLLED DOCUMENT.		DWN PHILLIP M FORTNEY 17/SEP/96	<b>AMP</b> AMP Incorporated Harrisburg, PA 17105-3608
		CHK JEFF R RUTH 17/SEP/96	
DIMENSIONS: mm [Inches]	TOLERANCES UNLESS OTHERWISE SPECIFIED:	APVD DENNIS SCHWENK 17/SEP/96	CLIP, TAB
	0 PLC ±- 1 PLC ±- 2 PLC ±0.25 [.010] 3 PLC ±- 4 PLC ±- ANGLES ±-	PRODUCT SPEC -	
MATERIAL H04 PHOS BRONZE	FINISH -	APPLICATION SPEC -	SIZE A3
		WEIGHT -	CAGE CODE 00779
		CUSTOMER DRAWING	DRAWING NO C-63934
			SCALE 5:1
			SHEET 1 OF 1
			REV A