

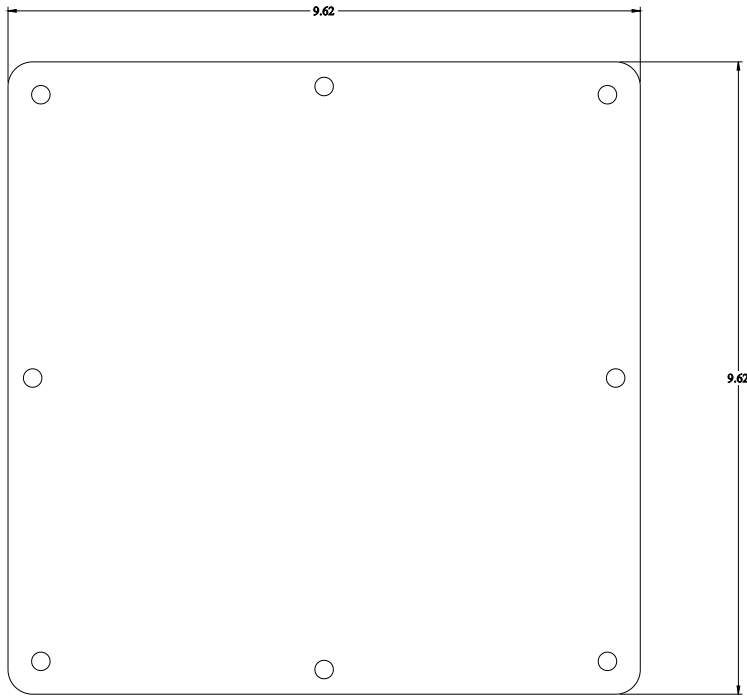
PART No. 1485EH

for more information visit

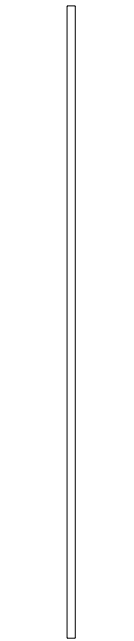
www.hammfg.com

Data subject to change without notice

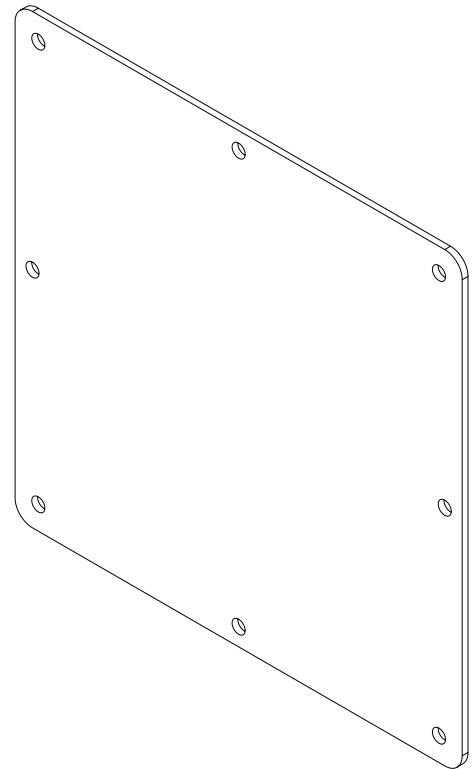
Isometric drawing Not to Scale



FRONT VIEW



SIDE VIEW



ISOMETRIC VIEW