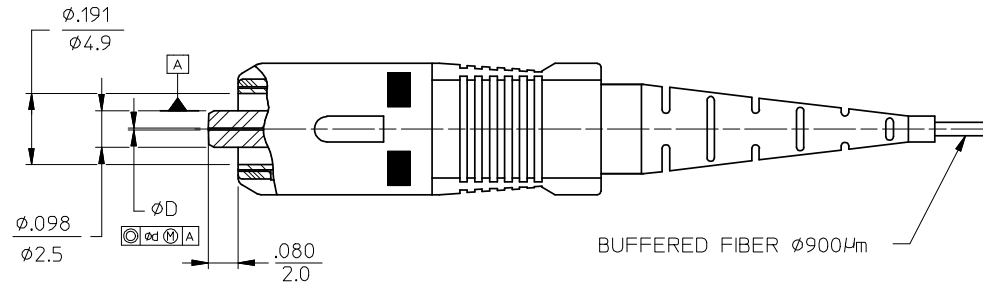
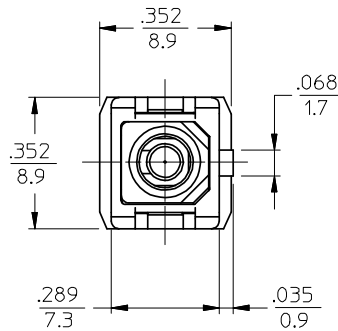
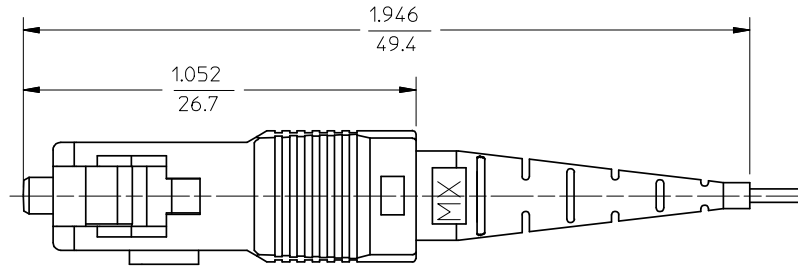


	13	12	11	10	9	8	7	6	5	4	3	2	1
	CONNECTOR P/N	øD (μm)	ød (μm)	BOOT COLOR	HOUSING COLOR	CONNECTOR TYPE							
J	106032-0500	127 $\begin{smallmatrix} +3.0 \\ -0.0 \end{smallmatrix}$	5.0	BLUE	BLUE	MULTIMODE							
	106032-0510			WHITE	BEIGE								
	106032-0560			BEIGE	BEIGE								
	106032-0570			BLACK	BLACK								
I	106032-0580	125.5 $\begin{smallmatrix} +1.0 \\ -0.0 \end{smallmatrix}$	1.0	RED	RED	SINGLE MODE							
	106032-2500			YELLOW	BLUE								
	106032-2510			WHITE	BLACK								
	106032-2570			BLACK	BLACK								
H	106032-2580	128 $\begin{smallmatrix} +2.0 \\ -0.0 \end{smallmatrix}$	3.0	RED	RED	MULTIMODE							
	106032-3500			BLUE	BLUE								
	106032-3510			WHITE	BEIGE								
	106032-3560			BEIGE	BEIGE								
G	106032-3570	126 $\begin{smallmatrix} +1.0 \\ -0.0 \end{smallmatrix}$	1.0	BLACK	BLACK	SINGLE MODE							
	106032-3580			RED	RED								
	106032-5500			YELLOW	BLUE								
	106032-5520*			WHITE	BLACK								
F	106032-5510	125.5 $\begin{smallmatrix} +0.5 \\ -0.0 \end{smallmatrix}$	0.5	BLACK	BLACK	SINGLE MODE							
	106032-5570			RED	RED								
	106032-5580			YELLOW	BLUE								
	106032-6500			WHITE	BLUE								
E	106032-6510	127 $\begin{smallmatrix} +1.0 \\ -0.0 \end{smallmatrix}$	1.0	YELLOW	BLUE	SINGLE MODE							
	106032-7500			WHITE	BLUE								
A	106032-7510			WHITE	BLUE								



NOTES:

*1. P/N 106032-5520 IS BULK PACKED IN QUANTITIES OF 100 PCS.

ENTER DESCRIPTION EC NO: MF2008-0420 DRWN:L.KATARZIENE 2008/04/01 CHKD: 2008/04/01 APPR:L.KATARZIENE 2008/04/01	QUALITY SYMBOLS	GENERAL TOLERANCES (UNLESS SPECIFIED)	DIMENSION STYLE	SCALE	DESIGN UNITS	THIRD ANGLE PROJECTION
	▽=0 ▽=0	mm INCH	IN/MM	4:1	INCH	
DRAFT WHERE APPLICABLE MUST REMAIN WITHIN DIMENSIONS	4 PLACES ±--- ±---	3 PLACES ±--- ±---	DRAWN BY DATE	TITLE		
	2 PLACES ±--- ±---	1 PLACE ±--- ±---	PGIBLIN 2005/09/15	SC BARE FIBER CONNECTOR (TUNABLE)		
	ANGULAR ±1/2°		CHECKED BY DATE	APPROVED BY DATE		
				MATERIAL NO. SEE TABLE		
				DOCUMENT NO. SD-106032-Y5Y0		SHEET NO. 1 OF 1
				THIS DRAWING CONTAINS INFORMATION THAT IS PROPRIETARY TO MOLEX INCORPORATED AND SHOULD NOT BE USED WITHOUT WRITTEN PERMISSION		