



MICROCHIP

**MCP8025 TQFP
BLDC Motor Driver
Evaluation Board
User's Guide**

Note the following details of the code protection feature on Microchip devices:

- Microchip products meet the specification contained in their particular Microchip Data Sheet.
- Microchip believes that its family of products is one of the most secure families of its kind on the market today, when used in the intended manner and under normal conditions.
- There are dishonest and possibly illegal methods used to breach the code protection feature. All of these methods, to our knowledge, require using the Microchip products in a manner outside the operating specifications contained in Microchip's Data Sheets. Most likely, the person doing so is engaged in theft of intellectual property.
- Microchip is willing to work with the customer who is concerned about the integrity of their code.
- Neither Microchip nor any other semiconductor manufacturer can guarantee the security of their code. Code protection does not mean that we are guaranteeing the product as "unbreakable."

Code protection is constantly evolving. We at Microchip are committed to continuously improving the code protection features of our products. Attempts to break Microchip's code protection feature may be a violation of the Digital Millennium Copyright Act. If such acts allow unauthorized access to your software or other copyrighted work, you may have a right to sue for relief under that Act.

Information contained in this publication regarding device applications and the like is provided only for your convenience and may be superseded by updates. It is your responsibility to ensure that your application meets with your specifications. MICROCHIP MAKES NO REPRESENTATIONS OR WARRANTIES OF ANY KIND WHETHER EXPRESS OR IMPLIED, WRITTEN OR ORAL, STATUTORY OR OTHERWISE, RELATED TO THE INFORMATION, INCLUDING BUT NOT LIMITED TO ITS CONDITION, QUALITY, PERFORMANCE, MERCHANTABILITY OR FITNESS FOR PURPOSE. Microchip disclaims all liability arising from this information and its use. Use of Microchip devices in life support and/or safety applications is entirely at the buyer's risk, and the buyer agrees to defend, indemnify and hold harmless Microchip from any and all damages, claims, suits, or expenses resulting from such use. No licenses are conveyed, implicitly or otherwise, under any Microchip intellectual property rights.

Trademarks

The Microchip name and logo, the Microchip logo, dsPIC, FlashFlex, flexPWR, JukeBlox, KEELOQ, KEELOQ logo, Kleer, LANCheck, MediaLB, MOST, MOST logo, MPLAB, OptoLyzer, PIC, PICSTART, PIC³² logo, RightTouch, SpyNIC, SST, SST Logo, SuperFlash and UNI/O are registered trademarks of Microchip Technology Incorporated in the U.S.A. and other countries.

The Embedded Control Solutions Company and mTouch are registered trademarks of Microchip Technology Incorporated in the U.S.A.

Analog-for-the-Digital Age, BodyCom, chipKIT, chipKIT logo, CodeGuard, dsPICDEM, dsPICDEM.net, ECAN, In-Circuit Serial Programming, ICSP, Inter-Chip Connectivity, KleerNet, KleerNet logo, MiWi, MPASM, MPF, MPLAB Certified logo, MPLIB, MPLINK, MultiTRAK, NetDetach, Omniscient Code Generation, PICDEM, PICDEM.net, PICkit, PICtail, RightTouch logo, REAL ICE, SQI, Serial Quad I/O, Total Endurance, TSHARC, USBCheck, VariSense, ViewSpan, WiperLock, Wireless DNA, and ZENA are trademarks of Microchip Technology Incorporated in the U.S.A. and other countries.

SQTP is a service mark of Microchip Technology Incorporated in the U.S.A.

Silicon Storage Technology is a registered trademark of Microchip Technology Inc. in other countries.

GestIC is a registered trademarks of Microchip Technology Germany II GmbH & Co. KG, a subsidiary of Microchip Technology Inc., in other countries.

All other trademarks mentioned herein are property of their respective companies.

© 2014, Microchip Technology Incorporated, Printed in the U.S.A., All Rights Reserved.

ISBN: 978-1-63276-624-3

QUALITY MANAGEMENT SYSTEM
CERTIFIED BY DNV
== ISO/TS 16949 ==

Microchip received ISO/TS-16949:2009 certification for its worldwide headquarters, design and wafer fabrication facilities in Chandler and Tempe, Arizona; Gresham, Oregon and design centers in California and India. The Company's quality system processes and procedures are for its PIC[®] MCUs and dsPIC[®] DSCs, KEELOQ[®] code hopping devices, Serial EEPROMs, microperipherals, nonvolatile memory and analog products. In addition, Microchip's quality system for the design and manufacture of development systems is ISO 9001:2000 certified.

Object of Declaration: MCP8025 TQFP BLDC Motor Driver Evaluation Board

EU Declaration of Conformity

Manufacturer: Microchip Technology Inc.
2355 W. Chandler Blvd.
Chandler, Arizona, 85224-6199
USA

This declaration of conformity is issued by the manufacturer.

The development/evaluation tool is designed to be used for research and development in a laboratory environment. This development/evaluation tool is not intended to be a finished appliance, nor is it intended for incorporation into finished appliances that are made commercially available as single functional units to end users. This development/evaluation tool complies with EU EMC Directive 2004/108/EC and as supported by the European Commission's Guide for the EMC Directive 2004/108/EC (8th February 2010).

This development/evaluation tool complies with EU RoHS2 Directive 2011/65/EU.

This development/evaluation tool, when incorporating wireless and radio-telecom functionality, is in compliance with the essential requirement and other relevant provisions of the R&TTE Directive 1999/5/EC and the FCC rules as stated in the declaration of conformity provided in the module datasheet and the module product page available at www.microchip.com.

For information regarding the exclusive, limited warranties applicable to Microchip products, please see Microchip's standard terms and conditions of sale, which are printed on our sales documentation and available at www.microchip.com.

Signed for and on behalf of Microchip Technology Inc. at Chandler, Arizona, USA


Derek Carlson
VP Development Tools

12-Sep-14
Date

MCP8025 TQFP BLDC Motor Driver Evaluation Board User's Guide

NOTES:



Table of Contents

Preface	7
Introduction.....	7
Document Layout	7
Conventions Used in this Guide	8
Recommended Reading.....	9
The Microchip Web Site	9
Development Systems Customer Change Notification Service	10
Customer Support	10
Document Revision History	10
Chapter 1. Product Overview	
1.1 Introduction	11
1.2 What is the MCP8025 TQFP BLDC Motor Driver Evaluation Board?	12
1.3 What Does the MCP8025 TQFP BLDC Motor Driver Evaluation Board Kit Include?	12
Chapter 2. Installation and Operation	
2.1 Introduction	13
2.2 Features	13
2.3 Getting Started	14
2.3.1 Connections	14
2.3.2 Operating a Motor	17
2.3.3 Indicator LEDs	17
2.3.4 Test Points	17
2.3.5 Reprogramming the On-Board dsPIC33EP256MC504	19
2.3.6 Configuring the MCP8025	19
2.3.7 MCP8025 Configuration Message Responses	21
2.3.8 MCP8025 Status Messages	23
2.3.9 MCP8025 Register Definitions	24
Appendix A. Schematic and Layouts	
A.1 Introduction	29
A.2 Board – Schematic	30
A.3 Board – Top Silk Layer	31
A.4 Board – Top Metal Layer	32
A.5 Board – Mid1 Metal Layer	33
A.6 Board – Mid2 Metal Layer	34
A.7 Board – Bottom Metal Layer	35

Appendix B. Bill of Materials

Appendix C. Software

C.1 Software Location	41
C.2 Selected Software Constants and Definitions	41
C.3 dsPIC33EP256MC504 PIM Port Usage	43
C.3.1 Port A Mapping	43
C.3.2 Port B Mapping	43
C.3.3 Port C Mapping	44
C.3.4 A/D Mappings	44
C.4 Communications Message Mappings	44
C.5 MPLAB [®] X Compiler Startup	45
C.6 MPLAB X IDE and PICKit [™] 3 Exercise	45
Worldwide Sales and Service	47

Preface

NOTICE TO CUSTOMERS

All documentation becomes dated, and this manual is no exception. Microchip tools and documentation are constantly evolving to meet customer needs, so some actual dialogs and/or tool descriptions may differ from those in this document. Please refer to our web site (www.microchip.com) to obtain the latest documentation available.

Documents are identified with a “DS” number. This number is located on the bottom of each page, in front of the page number. The numbering convention for the DS number is “DSXXXXXXXXA”, where “XXXXXXXX” is the document number and “A” is the revision level of the document.

For the most up-to-date information on development tools, see the MPLAB® IDE online help. Select the Help menu, and then Topics to open a list of available online help files.

INTRODUCTION

This chapter contains general information that will be useful to know before using the MCP8025 TQFP BLDC Motor Driver Evaluation Board. Items discussed in this chapter include:

- Document Layout
- Conventions Used in this Guide
- Recommended Reading
- The Microchip Web Site
- Customer Support
- Document Revision History

DOCUMENT LAYOUT

This document describes how to use the MCP8025 TQFP BLDC Motor Driver Evaluation Board as a development tool to emulate and debug firmware on a target board. The manual layout is as follows:

- **Chapter 1. “Product Overview”** – Important information about the MCP8025 TQFP BLDC Motor Driver Evaluation Board.
- **Chapter 2. “Installation and Operation”** – Includes instructions on how to get started with this user’s guide and a description of the user’s guide.
- **Appendix A. “Schematic and Layouts”** – Shows the schematic and layout diagrams for the MCP8025 TQFP BLDC Motor Driver Evaluation Board.
- **Appendix B. “Bill of Materials”** – Lists the parts used to build the MCP8025 TQFP BLDC Motor Driver Evaluation Board.
- **Appendix C. “Software”** – Provides information about the application firmware and where the source code can be found.

CONVENTIONS USED IN THIS GUIDE

This manual uses the following documentation conventions:

DOCUMENTATION CONVENTIONS

Description	Represents	Examples
Arial font:		
Italic characters	Referenced books	<i>MPLAB[®] IDE User's Guide</i>
	Emphasized text	...is the <i>only</i> compiler...
Initial caps	A window	the Output window
	A dialog	the Settings dialog
	A menu selection	select Enable Programmer
Quotes	A field name in a window or dialog	"Save project before build"
Underlined, italic text with right angle bracket	A menu path	<u><i>File>Save</i></u>
Bold characters	A dialog button	Click OK
	A tab	Click the Power tab
N'Rnnnn	A number in verilog format, where N is the total number of digits, R is the radix and n is a digit.	4'b0010, 2'hF1
Text in angle brackets < >	A key on the keyboard	Press <Enter>, <F1>
Courier New font:		
Plain Courier New	Sample source code	#define START
	Filenames	autoexec.bat
	File paths	c:\mcc18\h
	Keywords	_asm, _endasm, static
	Command-line options	-Opa+, -Opa-
	Bit values	0, 1
	Constants	0xFF, 'A'
Italic Courier New	A variable argument	<i>file.o</i> , where <i>file</i> can be any valid filename
Square brackets []	Optional arguments	mcc18 [options] <i>file</i> [options]
Curly brackets and pipe character: { }	Choice of mutually exclusive arguments; an OR selection	errorlevel {0 1}
Ellipses...	Replaces repeated text	var_name [, var_name...]
	Represents code supplied by user	void main (void) { ... }

RECOMMENDED READING

This user's guide describes how to use the MCP8025 TQFP BLDC Motor Driver Evaluation Board. Other useful documents are listed below. The following Microchip documents are available and recommended as supplemental reference resources.

- **MCP8025 – “3-Phase Brushless DC (BLDC) Motor Gate Driver with Power Module” (DS20005339)** — This data sheet provides detailed information regarding the MCP8025 product family.
- **dsPIC33EPXXXGP50X, dsPIC33EPXXXMC20X/50X and PIC24EPXXXGP/MC20X – “16-Bit Microcontrollers and Digital Signal Controllers with High-Speed PWM, Op Amps and Advanced Analog” (DS70000657)** — This data sheet provides detailed information regarding the dsPIC33EP256MC504 product family.
- **“dsPIC33E/PIC24E Family Reference Manual” (DS70573)**
- **“dsPIC33EPXXXGP50X, dsPIC33EPXXXMC20X/50X, and PIC24EPXXXGP/MC20X Family Silicon Errata and Data Sheet Clarification” (DS80000533G)** — This data sheet contains anomalies and clarifications for the dsPIC33EPXXXMC504 processor.
- **AN1078 – “Sensorless Field Oriented Control of a PMSM” (DS01078)**
- **AN1160 – “Sensorless BLDC Control with Back-EMF Filtering Using a Majority Function” (DS01160)**
- **AN992 – “Sensorless BLDC Motor Control Using dsPIC30F2010” (DS00992)**
- **AN1292 – “Sensorless Field Oriented Control (FOC) for a Permanent Magnet Synchronous Motor (PMSM) Using a PLL Estimator and Field Weakening (FW)” (DS01292)**
- **AN901 – “Using the dsPIC30F for Sensorless BLDC Control” (DS00901)**

THE MICROCHIP WEB SITE

Microchip provides online support via our web site at www.microchip.com. This web site is used as a means to make files and information easily available to customers. Accessible by using your favorite Internet browser, the web site contains the following information:

- **Product Support** – Data sheets and errata, application notes and sample programs, design resources, user's guides and hardware support documents, latest software releases and archived software
- **General Technical Support** – Frequently Asked Questions (FAQs), technical support requests, online discussion groups, Microchip consultant program member listing
- **Business of Microchip** – Product selector and ordering guides, latest Microchip press releases, listing of seminars and events, listings of Microchip sales offices, distributors and factory representatives

DEVELOPMENT SYSTEMS CUSTOMER CHANGE NOTIFICATION SERVICE

Microchip's customer notification service helps keep customers current on Microchip products. Subscribers will receive an e-mail notification whenever there are changes, updates, revisions or errata related to a specified product family or development tool of interest.

To register, access the Microchip web site at www.microchip.com, click on Customer Change Notification and follow the registration instructions.

The Development Systems product group categories are:

- **Compilers** – The latest information on Microchip C compilers, assemblers, linkers and other language tools. These include all MPLAB C compilers; all MPLAB assemblers (including MPASM assembler); all MPLAB linkers (including MPLINK object linker); and all MPLAB librarians (including MPLIB object librarian).
- **Emulators** – The latest information on Microchip in-circuit emulators. This includes the MPLAB REAL ICE™ and MPLAB ICE 2000 in-circuit emulators.
- **In-Circuit Debuggers** – The latest information on the Microchip in-circuit debuggers. This includes MPLAB ICD 3 in-circuit debuggers and PICKit 3 Debug Express.
- **MPLAB IDE** – The latest information on Microchip MPLAB IDE, the Windows Integrated Development Environment for development systems tools. This list is focused on the MPLAB IDE, MPLAB IDE Project Manager, MPLAB Editor and MPLAB SIM simulator, as well as general editing and debugging features.
- **Programmers** – The latest information on Microchip programmers. These include production programmers such as MPLAB REAL ICE in-circuit emulator, MPLAB ICD 3 in-circuit debugger and MPLAB PM3 device programmers. Also included are nonproduction development programmers such as PICSTART Plus and PICKit 2 and 3 programmers.

CUSTOMER SUPPORT

Users of Microchip products can receive assistance through several channels:

- Distributor or Representative
- Local Sales Office
- Field Application Engineer (FAE)
- Technical Support

Customers should contact their distributor, representative or field application engineer (FAE) for support. Local sales offices are also available to help customers. A listing of sales offices and locations is included in the back of this document.

Technical support is available through the web site at:

<http://www.microchip.com/support>.

DOCUMENT REVISION HISTORY

Revision A (September 2014)

- Initial Release of this Document.

Chapter 1. Product Overview

1.1 INTRODUCTION

The MCP8025 TQFP BLDC Motor Driver Evaluation Board is used to demonstrate the drive capabilities of the MCP8025. The board uses the MCP8025 3-Phase Brushless DC (BLDC) motor gate driver and dsPIC33EP256MC504 processor to implement a 6-step trapezoidal BLDC motor controller.

The MCP8025 TQFP BLDC Motor Driver Evaluation Board is used to evaluate Microchip's MCP8025 in a BLDC motor application. As provided, the MCP8025 TQFP BLDC Motor Driver Evaluation Board is ready to operate a BLDC motor using one on-board push button to start and stop the motor plus one on-board potentiometer to set motor speed. The evaluation board can drive a BLDC motor with a supply voltage of up to 19V and a motor current up to 15 amps. The MCP8025 TQFP BLDC Motor Driver Evaluation Board provides a 6-step trapezoidal control algorithm along with a 750 mW buck converter, 5V and 12V LDO, high-to-low level voltage translators, current sense operational amplifiers, LIN transceiver and Hall-effect inputs. The evaluation board provides a status indication for the power supplies and the six on-board Pulse-Width Modulation (PWM) inputs.

This chapter covers the following topics:

- What is the MCP8025 TQFP BLDC Motor Driver Evaluation Board?
- What does the MCP8025 TQFP BLDC Motor Driver Evaluation Board Kit include?

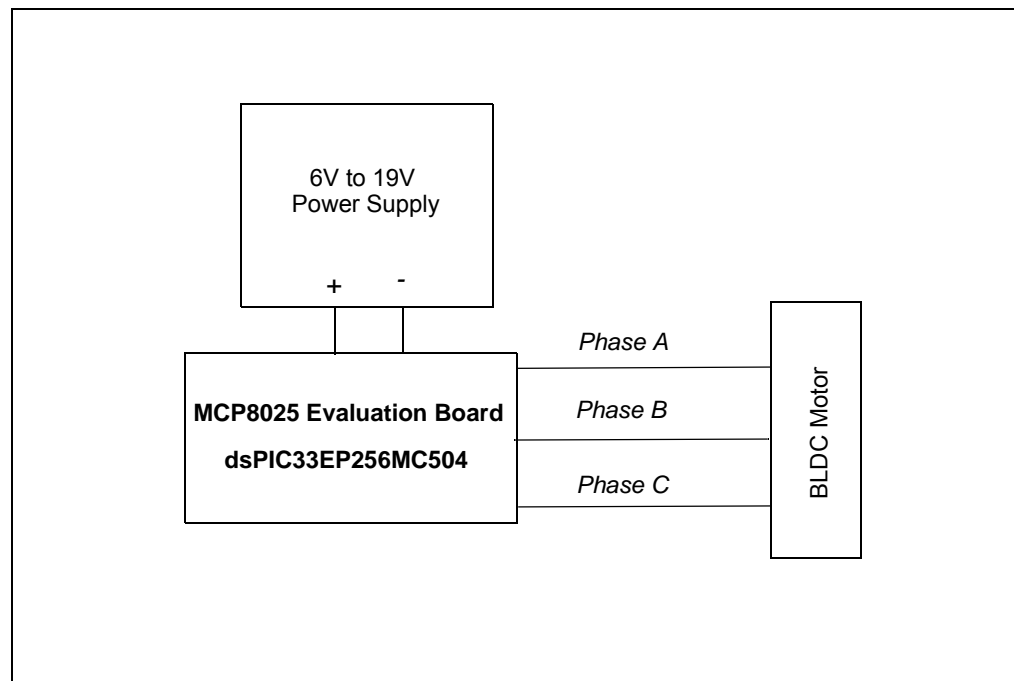


FIGURE 1-1: MCP8025 TQFP BLDC Motor Driver Evaluation Board Block Diagram.

1.2 WHAT IS THE MCP8025 TQFP BLDC MOTOR DRIVER EVALUATION BOARD?

The MCP8025 TQFP BLDC Motor Driver Evaluation Board is a complete stand-alone motor controller for brushless DC motors (BLDC). The board is capable of driving a three-phase brushless DC motor rated at up to 15 amps and 19V. The input voltage range for the board is 6V to 19V. The on board MCP8025 generates 5V and 12V using internal voltage regulators. The MCP8025 also contains an internal buck regulator which generates the power for the attached dsPIC33EP256MC504 host microcontroller.

An input terminal block is provided to apply the input voltage to the board. An output header and plated Printed Circuit Board (PCB) through-hole pads are also provided as a means to connect the external motor. Two programming headers are available for updating the firmware contained in the dsPIC33EP256MC504 using either a PICKIT 3 programmer/debugger or an MPLAB® ICD3 in-circuit debugger.

An input terminal block is also supplied on the board to allow users to create LIN communication connections to the MCP8025 LIN transceiver.

1.3 WHAT DOES THE MCP8025 TQFP BLDC MOTOR DRIVER EVALUATION BOARD KIT INCLUDE?

This MCP8025 TQFP BLDC Motor Driver Evaluation Board kit includes:

- The MCP8025 TQFP BLDC Motor Driver Evaluation Board, ADM00600
- Information Sheet

Chapter 2. Installation and Operation

2.1 INTRODUCTION

The MCP8025 TQFP BLDC Motor Driver Evaluation Board demonstrates Microchip's 3-Phase Brushless DC (BLDC) Motor Gate Driver with Power Module, MCP8025, used in a BLDC motor drive application. When used in conjunction with a microcontroller, the MCP8025 will provide the necessary drive signals to drive for a 3-Phase BLDC motor. The MCP8025 contains the high-side and low-side drivers for external N-channel MOSFETs. A dsPIC33EP256MC504 processor is used to supply the PWM inputs to the MCP8025 as well as handle the high-speed Analog-To-Digital Conversion (ADC) required for 50 kHz PWM operation.

The MCP8025 UART interface is used to configure the MCP8025 device and to send fault information to the dsPIC[®] Digital Signal Controller (DSC). The evaluation board firmware, available on the Microchip web site, uses a 6-step trapezoidal drive control algorithm to demonstrate the MCP8025 capabilities.

2.2 FEATURES

The MCP8025 TQFP BLDC Motor Driver Evaluation Board has the following features:

- Input Operating Voltage Range: +6.0V to +19V
- Maximum of 500 mA of gate drive current for external N-Channel MOSFETs
- Drives up to a 15A BLDC motor
- 750 mW Buck Regulator with resistor-programmable output voltage
- ON/OFF momentary contact switch
- Reset momentary contact switch
- Spare user-programmable momentary contact switch
- PWM signal LED indicators
- PICkit 3 and MPLAB ICD 3 debugger interfaces
- Speed control potentiometer
- Terminal block for 5V and 12V Hall-effect sensors
- LIN terminal block for user communications use
- Programmable external MOSFET overcurrent protection
- Programmable PWM dead-time protection
- Programmable PWM blanking time for current switching spikes
- Complete "C" source code (provided on the board web page)

2.3 GETTING STARTED

The MCP8025 TQFP BLDC Motor Driver Evaluation Board is fully assembled and tested for driving a BLDC motor. This board requires the use of an external voltage source capable of supplying 6V to 19V at the rated motor current. A BLDC motor is also required to evaluate the motor driver.

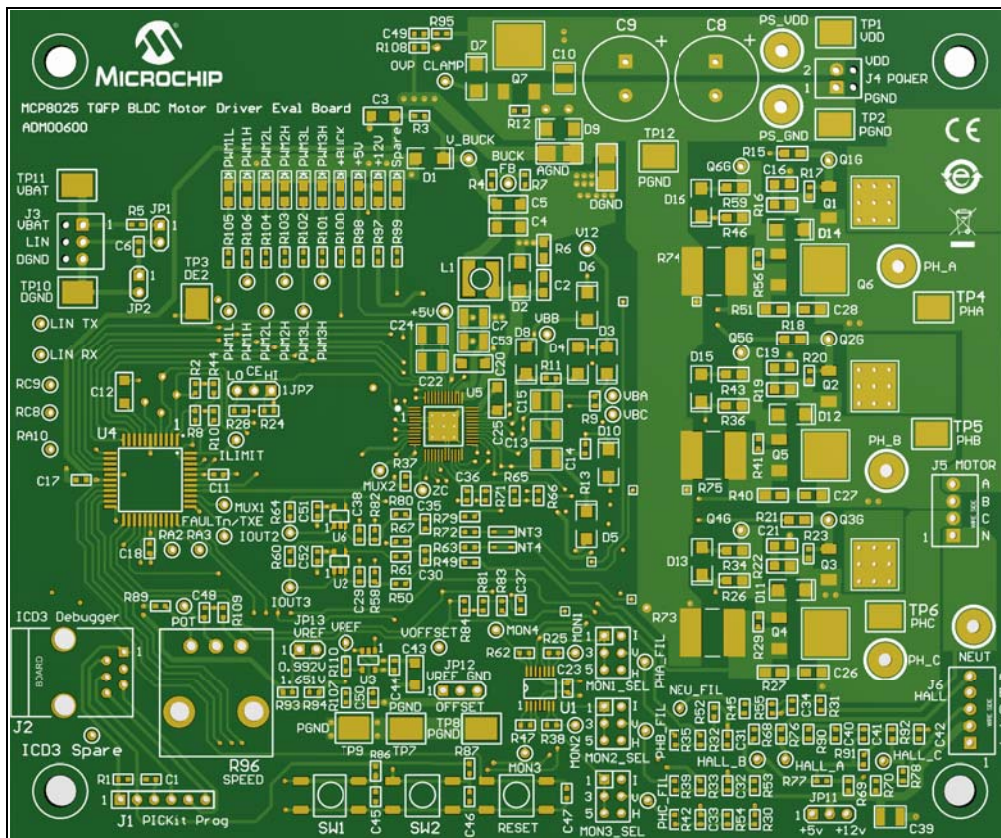


FIGURE 2-1: MCP8025 TQFP BLDC Motor Driver Evaluation Board PCB.

2.3.1 Connections

2.3.1.1 JUMPER SETTINGS

The MCP8025 TQFP BLDC Motor Driver Evaluation Board has several user-configurable jumpers. The jumpers are described in [Table 2-1](#) below.

TABLE 2-1: MCP8025 TQFP BLDC MOTOR DRIVER EVALUATION BOARD JUMPERS

Jumper	Default	Position	Description
JP1	OFF	ON	Enable LIN Bus 1 kΩ pull up
JP2	ON	ON	Enable LIN Bus 220 pF capacitor
JP7	2-3	1-2	CE 47 kΩ pull up to +3.3V
		2-3	CE 47 kΩ pull down to DGND
JP8 (MONITOR1)	3-4	1-2	Connect phase current to MONITORn
JP9 (MONITOR2)		3-4	Connect filtered phase to MONITORn
JP10 (MONITOR3)		5-6	Connect Hall Sensor to MONITORn
JP11	1-2	1-2	Supplies 5V to the Hall Sensors
		2-3	Supplies 12V to the Hall Sensors

Installation and Operation

TABLE 2-1: MCP8025 TQFP BLDC MOTOR DRIVER EVALUATION BOARD JUMPERS (CONTINUED)

Jumper	Default	Position	Description
JP12	1-2	1-2	Current Sense offset = JP13 selection
		2-3	Current Sense offset = 0.0V
JP13	OFF	ON	Current Sense reference = 1.651V
		OFF	Current Sense reference = 0.992V

2.3.1.1.1 The jumpers and their use are described in [Table 2-2](#).

TABLE 2-2: JUMPER DESCRIPTION

Jumper	Name	Position	Description
JP1	LIN Bus Master Select Resistor	ON	Connects 1K resistor from terminal block J3-2 (LIN Bus) to LIN terminal block J3-1 (LIN V _{BAT})
JP2	LIN Bus Capacitor	ON	Connects 220 pF capacitor from terminal block J3-2 (LIN Bus) to LIN terminal block J3-3 (LIN GND)
JP7	MCP8025 CE	1-2	Connects CE pin to +3.3V through 47K pull-up resistor
		2-3	Connects CE pin to DGND through 47K pull-up resistor
JP8	Monitor 1 Input Selection (A/D Channel AN0)	1-2	Connects Phase A Current to Monitor 1 net
		3-4	Connects Filtered Phase A Voltage to MONITOR1 net
		5-6	Connects Hall Sensor A to Monitor 1 net
JP9	Monitor 2 Input Selection (A/D Channel AN1)	1-2	Connects Phase B Current to Monitor 2 net
		3-4	Connects Filtered Phase B Voltage to MONITOR2 net
		5-6	Connects Hall Sensor B to Monitor 2 net
JP10	Monitor 3 Input Selection (A/D Channel AN2)	1-2	Connects Phase C Current to Monitor 3 net
		3-4	Connects Filtered Phase C Voltage to MONITOR3 net
		5-6	Connects Hall Sensor C to Monitor 3 net
JP11	—	1-2	Supplies 5V to the Hall Sensors
		2-3	Supplies 12V to the Hall Sensors
JP12	—	1-2	Current Sense Offset Voltage = JP13 selection
		3-4	Current Sense Offset Voltage = 0.0V
JP13	—	1-2	Current Sense Reference Voltage = 1.651V
		3-4	Current Sense Reference Voltage = 0.992V

MCP8025 TQFP BLDC Motor Driver Evaluation Board User's Guide

The jumper settings for use with the sensorless trapezoidal drive firmware are as described in [Table 2-3](#).

TABLE 2-3: JUMPERS USED BY SENSORLESS TRAPEZOIDAL FIRMWARE

Jumper	Position	Description
JP7	2-3	Enable 47 kΩ CE pull down to DGND
JP8 (MONITOR1) JP9 (MONITOR2) JP10 (MONITOR3)	3-4	Connect filtered phase voltage to MONITORn

2.3.1.2 POWERING THE MCP8025 TQFP BLDC MOTOR DRIVER EVALUATION BOARD (REFERENCE [Figure 2-2](#))

1. Apply the input voltage to the input power terminal block, J4. The input voltage source should be limited to the 0V to +19V range. For nominal operation the input voltage should be between +6.0V and +19V.
2. Connect the positive side of the input power source (+) to pin 2 of J4. Connect the negative or return side (-) of the input source to pin 1 of J4. Refer to [Figure 2-2](#).

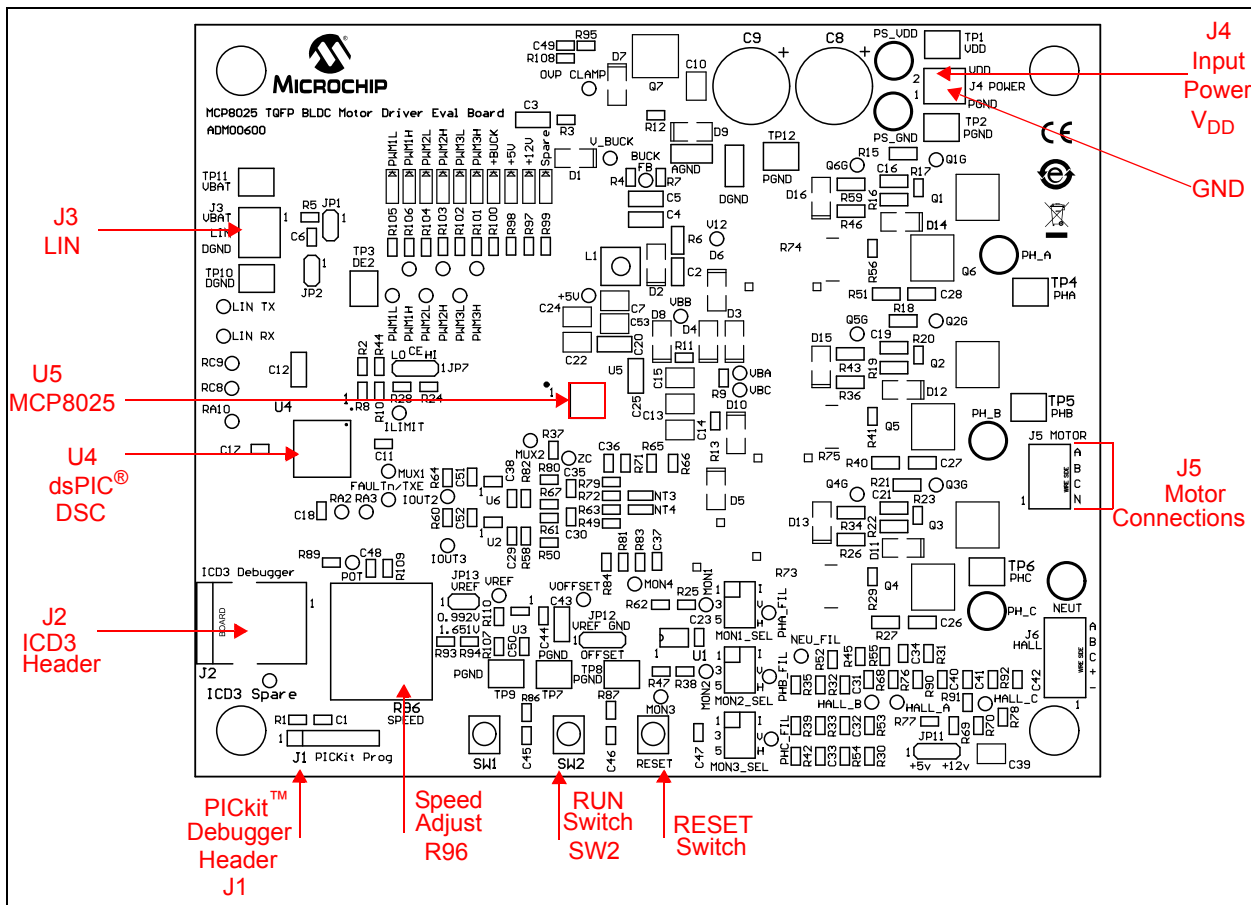


FIGURE 2-2: Connection and Operation Diagram.

2.3.1.3 CONNECTING A MOTOR TO THE MCP8025 TQFP BLDC MOTOR DRIVER EVALUATION BOARD

Connect each phase winding of a three-phase BLDC motor to the appropriate terminal of the motor terminal block, J5, terminals A,B,C. The neutral winding, terminal N, is not necessary for the sensorless trapezoidal drive firmware provided for the evaluation board.

2.3.2 Operating a Motor

1. Turn the speed adjust potentiometer (R96) fully counter-clockwise to obtain the slowest speed setting. Now turn the speed adjust approximately ¼ turn clockwise to allow for 25% motor speed.
2. Turn on the power supply.
3. Press and release the RUN switch (SW2) to start the motor.
4. Turn the Speed Adjust potentiometer clockwise to increase motor speed, counter-clockwise to decrease motor speed. The Speed Adjust changes the PWM duty cycle of the PWM signals being sent to the MCP8025.
5. Press and release the RUN switch again to stop the motor.

2.3.3 Indicator LEDs

The MCP8025 TQFP BLDC Motor Driver Evaluation Board has ten LEDs to indicate system status. [Table 2-4](#) lists the LED indicators and their descriptions.

TABLE 2-4: LED INDICATORS

PCB Location	Name	Description
D17	SPARE	Spare LED on dsPIC DSC RA4 port
D18	+12V	+12V LDO voltage operating
D19	+5V	+5V LDO voltage operating
D20	+Buck	+3.3V Buck output voltage operating
D21	PWM3H	PWM Phase 3 high-side input to MCP8025
D22	PWM3L	PWM Phase 3 low-side input to MCP8025
D23	PWM2H	PWM Phase 2 high-side input to MCP8025
D24	PWM2L	PWM Phase 2 low-side input to MCP8025
D25	PWM1H	PWM Phase 1 high-side input to MCP8025
D26	PWM1L	PWM Phase 1 low-side input to MCP8025

2.3.4 Test Points

There are several test points on the board to allow probing of voltages, currents and signals. An abridged listing is shown in [Table 2-5](#).

TABLE 2-5: TEST POINTS DESCRIPTION

Test Point	Name	Description
TP1	V _{DD}	Power supply (+)
TP2	PGND	Power supply ground (-)
TP3	DE2	MCP8025 DE2 communications signal
TP4	PHA	Motor Phase A connection
TP5	PHB	Motor Phase B connection
TP6	PHC	Motor Phase C connection
TP7	PGND	Power supply ground (-)
TP8	PGND	Power supply ground (-)
TP9	PGND	Power supply ground (-)
TP10	LIN GND	LIN Bus ground connection
TP11	LIN +12V	LIN Bus +12V supply connection

TABLE 2-5: TEST POINTS DESCRIPTION (CONTINUED)

Test Point	Name	Description
FAULTn/TXE	FAULTn/TXE	LIN Fault/Transmit enable signal
ILIMIT	ILIMIT	ILIMIT_OUT signal from MCP8025
LIN RX	LIN RX	Received data from LIN transceiver
LIN TX	LIN TX	Transmitted data to LIN transceiver
MON1	MON1	Monitor Signal 1: connects to A/D input AN0
MON2	MON2	Monitor Signal 2: connects to A/D input AN1
MON3	MON3	Monitor Signal 3: connects to A/D input AN2
MON4	MON4	Monitor Signal 4: connects to A/D input AN5
NEU_FIL	NEU_FIL	Filtered neutral signal
OVP CLAMP	OVP CLAMP	Gate pin of supply overvoltage clamp
PHA_FIL	PHA_FIL	Filtered Phase A signal
PHB_FIL	PHB_FIL	Filtered Phase B signal
PHC_FIL	PHC_FIL	Filtered Phase C signal
POT	POT	Speed adjust potentiometer. Clockwise increases PWM duty cycle (speed), counter-clockwise decreases PWM duty cycle (speed).
PWM1H	PWM1H	PWM phase A high-side input to MCP8025
PWM1L	PWM1L	PWM phase A low-side input to MCP8025
PWM2H	PWM2H	PWM phase B high-side input to MCP8025
PWM2L	PWM2L	PWM phase B low-side input to MCP8025
PWM3H	PWM3H	PWM phase C high-side input to MCP8025
PWM3L	PWM3L	PWM phase C low-side input to MCP8025
Q1G	Q1G	Phase A high-side MOSFET gate
Q2G	Q2G	Phase B high-side MOSFET gate
Q3G	Q3G	Phase C high-side MOSFET gate
Q4G	Q4G	Phase C low-side MOSFET gate
Q5G	Q5G	Phase B low-side MOSFET gate
Q6G	Q6G	Phase A low-side MOSFET gate
RA2	RA2	dsPIC DSC spare I/O pin
RA3	RA3	dsPIC DSC spare I/O pin
RA10	RA10	dsPIC DSC spare I/O pin
RC8	RC8	dsPIC DSC spare I/O pin
RC9	RC9	dsPIC DSC spare I/O pin
V_BUCK	V_BUCK	Buck 3.3V output voltage

2.3.5 Reprogramming the On-Board dsPIC33EP256MC504

The on-board dsPIC33EP256MC504 may be reprogrammed with the user's desired firmware. The processor may be programmed by using an external power source and either a PICKit 3, MPLAB REAL ICE in-circuit emulator or MPLAB ICD3 programmer.

1. Connect the power source to the board as explained in [Section 2.3.1.2](#).
2. Connect a PICKit 3 to the J1 header or connect an MPLAB ICD 3 or MPLAB REAL ICE in-circuit emulator to the J2 (RJ25) jack.
3. Startup up the MPLABX Integrated Development Environment (IDE) and load the MCP8025 TQFP BLDC Motor Driver Evaluation Board firmware project.

Note: Note that the following project options may need to be changed for the computer being used to build the firmware:

- Add Library `libdsp-elf.a` located in `XC16 ???\src\Libdsp\lib` directory.
- Add `XC16-as` ASM Include Directory in `XC16 ???\src\Libdsp\asm`.
- Set Hardware tool to "ICD 3", "REAL ICE", or "PICKit3".

4. Build the project.
5. Program the device.
6. Press the RESET switch on the board to reset the processor and allow the processor to execute the new firmware program.

2.3.6 Configuring the MCP8025

The MCP8025 has configuration registers that may be used to modify operating parameters of the device. The parameters are modified by sending commands to the MCP8025 using the DE2 communication bus. The DE2 communication bus is a half-duplex, 9600 baud, 8-bit, 1-stop bit, 1-start bit, no parity, serial communication link. The user may add code to the evaluation board firmware to communicate with the registers. The evaluation board software contains a subroutine which initializes the MCP8025 registers.

There are three configuration registers that may be written to. The registers are written to by sending a `SET_CFG_X` command byte followed by the desired register value byte. The configuration messages and their respective requests are listed in [Table 2-6](#).

MCP8025 TQFP BLDC Motor Driver Evaluation Board User's Guide

TABLE 2-6: CONFIGURATION MESSAGE COMMANDS

Command	Byte	Bit	Value	Description	
SET_CFG_0	1		10000001b (81H)	Set Configuration Register 0	
	2	7	0	Reserved	
			6	—	(Always '0' in SLEEP mode)
				0	Enable disconnect of 30 kΩ LIN Bus pull up when CE = 0 (Default)
		5	1	Disable disconnect of 30 kΩ LIN Bus pull up when CE = 0	
			4	0	System enters Standby mode when CE = 0
		1		System enters Sleep mode when CE = 0 30 kΩ LIN Bus pull up disconnect always enabled	
		3	0	Disable internal neutral simulator (Default)	
			1	Enable internal neutral simulator	
		2	0	Enable MOSFET Undervoltage Lockout (Default)	
			1	Disable MOSFET Undervoltage Lockout	
		1:0	0	Enable external MOSFET short circuit detection (Default)	
			1	Disable external MOSFET short circuit detection	
			00	Set external MOSFET overcurrent limit to 0.250V (Default)	
			01	Set external MOSFET overcurrent limit to 0.500V	
		1	10	Set external MOSFET overcurrent limit to 0.750V	
11	Set external MOSFET overcurrent limit to 1.000V				
1			10000010 (82H)	Get Configuration Register 0	
SET_CFG_1	1			10000011 (83H)	Set Configuration Register 1 DAC motor current limit reference voltage
	2	7:0	00H – FFH	Select DAC Current Reference value (4.503V - 0.991V)/ 255 = 13.77 mV/bit 00H = 0.991 volts 40H = 1.872 volts (40H x 0.1377 mV/bit + 0.991V) (Default) FFH = 4.503 volts (FFH x 0.1377 mV/bit + 0.991V)	
GET_CFG_1	1		10000100 (84H)	Get Configuration Register 1 Get DAC motor current limit reference voltage	
SET_CFG_2	1		10000111 (87H)	Set Configuration Register 2	
	2	7:5	00H	Reserved	
			4:2	—	Driver Dead Time (For PWMH /PWML inputs)
				000	2000 ns (Default)
				001	1750 ns
				010	1500 ns
				011	1250 ns
				100	1000 ns
				101	750 ns
				110	500 ns
				111	250 ns
				1:0	—
			00		4 μs (Default)
			1	01	2 μs
		10		1 μs	
11	500 ns				
GET_CFG_2	1		10001000 (88H)	Get Configuration Register 2	

2.3.7 MCP8025 Configuration Message Responses

Table 2-7 describes the messages sent to host in response to a host command message.

TABLE 2-7: CONFIGURATION MESSAGE RESPONSES

MESSAGE	BYTE	BIT	VALUE	DESCRIPTION
SET_CFG_0	1	7:0	00000001 (01H)	Set Configuration Register 0 Not Acknowledged (Response)
			01000001 (41H)	Set Configuration Register 0 Acknowledged (Response)
	2	7	0	Reserved
			6	—
		6	0	Enable disconnect of 30 kΩ LIN Bus pull up when CE = 0 (Default)
			1	Disable disconnect of 30 kΩ LIN Bus pull up when CE = 0
		5	0	System enters Standby mode when CE = 0
			1	System enters Sleep mode when CE = 0, 30 kΩ LIN disconnect always enabled
		4	0	Internal neutral simulator disabled (Startup Default)
			1	Internal neutral simulator enabled
		3	0	Undervoltage Lockout enabled (Default)
			1	Undervoltage Lockout disabled
		2	0	External MOSFET overcurrent detection enabled (Default)
			1	External MOSFET overcurrent detection disabled
		1:0	00	0.250V external MOSFET overcurrent limit (Default)
			01	0.500V external MOSFET overcurrent limit
10	0.750V external MOSFET overcurrent limit			
11	1.000V external MOSFET overcurrent limit			
GET_CFG_0	1	7:0	00000010 (02H)	Get Configuration Register 0 Response Not Acknowledged (Response)
			01000010 (42H)	Get Configuration Register 0 Response Acknowledged (Response)
	2	7	0	Reserved
			6	—
		6	0	Enable disconnect of 30 kΩ LIN Bus pull up when CE = 0 (Default)
			1	Disable disconnect of 30 kΩ LIN Bus pull up when CE = 0
		5	0	System enters Standby mode when CE = 0
			1	System enters Sleep mode when CE = 0, 30 kΩ LIN disconnect always enabled
		4	0	Internal neutral simulator disabled (Startup Default)
			1	Internal neutral simulator enabled
		3	0	Undervoltage Lockout enabled
			1	Undervoltage Lockout disabled
		2	0	External MOSFET overcurrent detection enabled
			1	External MOSFET overcurrent detection disabled
		1:0	00	0.250V external MOSFET overcurrent limit
			01	0.500V external MOSFET overcurrent limit
10	0.750V external MOSFET overcurrent limit			
11	1.000V external MOSFET overcurrent limit			

MCP8025 TQFP BLDC Motor Driver Evaluation Board User's Guide

TABLE 2-7: CONFIGURATION MESSAGE RESPONSES (CONTINUED)

MESSAGE	BYTE	BIT	VALUE	DESCRIPTION	
SET_CFG_1	1		00000011 (03H)	Set DAC Motor Current Limit Reference Voltage Not Acknowledged (Response)	
			01000011 (43H)	Set DAC Motor Current Limit Reference Voltage Acknowledged (Response)	
	2	7:0	00H – FFH	Current DAC Current Reference value 13.77 mV/bit + 0.991V	
GET_CFG_1	1		00000100 (04H)	Get DAC Motor Current Limit Reference Voltage Not Acknowledged (Response)	
			01000100 (44H)	Get DAC Motor Current Limit Reference Voltage Acknowledged (Response)	
	2	7:0	00H – FFH	Current DAC Current Reference value 13.77 mV/bit + 0.991V	
SET_CFG_2	1		00000111 (07H)	Set Configuration Register 2 Not Acknowledged (Response)	
			01000111 (47H)	Set Configuration Register 2 Acknowledged (Response)	
	2	7:5	00H	Reserved	
			4:2	—	Driver Dead Time (For PWMH /PWML inputs)
			000	2000 ns (Default)	
			001	1750 ns	
			010	1500 ns	
			011	1250 ns	
			100	1000 ns	
			101	750 ns	
			110	500 ns	
			111	250 ns	
			1:0	—	Driver Blanking Time (ignore switching current spikes)
				00	4 μ s (Default)
				01	2 μ s
	10	1 μ s			
		11	500 ns		
GET_CFG_2	1		00001000 (08H)	Get Configuration Register 2 Response Not Acknowledged (Response)	
			01001000 (48H)	Get Configuration Register 2 Response Acknowledged (Response)	
	2	7:5	00H	Reserved	
			4:2	—	Driver Dead Time (For PWMH /PWML inputs)
			000	2000 ns (Default)	
			001	1750 ns	
			010	1500 ns	
			011	1250 ns	
			100	1000 ns	
			101	750 ns	
			110	500 ns	
			111	250 ns	
			1:0	—	Driver Blanking Time (ignore switching current spikes)
				00	4 μ s (Default)
				01	2 μ s
	10	1 μ s			
		11	500 ns		

2.3.8 MCP8025 Status Messages

The host may also solicit MCP8025 status information by issuing a STATUS_0 or STATUS_1 command. The MCP8025 may send an unsolicited STATUS_0 or STATUS_1 command to the host in the event of a fault or warning. The status messages are listed in [Table 2-8](#).

TABLE 2-8: STATUS MESSAGES

Command	Byte	Bit	Value	Description
STATUS_0	1	7:0	00000101 (05H)	Status Register 0 Response Not Acknowledged (Response)
			01000101 (45H)	Status Register 0 Response Acknowledged (Response)
			10000101 (85H)	Status Register 0 Command To Host (Unsolicited)
	2	7:0	00000000	Normal operation
			00000001	Temperature warning ($T_J > 72\% T_{SD_MIN} = 115^\circ\text{C}$) (Default)
			00000010	Overtemperature ($T_J > 160^\circ\text{C}$)
			00000100	Input undervoltage ($V_{DD} < 5.5\text{V}$)
			00001000	Driver input overvoltage ($20\text{V} < V_{DDH} < 32\text{V}$)
			00010000	Input overvoltage ($V_{DD} > 32\text{V}$)
			00100000	Buck regulator overcurrent
			01000000	Buck regulator output undervoltage warning
10000000	Buck regulator output undervoltage (< 80%,brown-out error)			
STATUS_1	1	7:0	00000110 (06H)	STATUS Register 1 Response Not Acknowledged (Response)
			01000110 (46H)	STATUS Register 1 Response Acknowledged (Response)
			10000110 (86H)	STATUS Register 1 Command To Host (Unsolicited)
	2	7:0	00000000	Normal operation
			00000001	Reserved
			00000010	Reserved
			00000100	External MOSFET Undervoltage Lock Out (UVLO)
			00001000	External MOSFET overcurrent detection
			00010000	Brown-out Reset – Config Lost (start-up default = 1)
			00100000	5V LDO Under Voltage Lock Out (UVLO)
			01000000	Reserved
10000000	Reserved			

MCP8025 TQFP BLDC Motor Driver Evaluation Board User's Guide

2.3.9 MCP8025 Register Definitions

The MCP8025 registers contain the bits operated on by the messaging system. The registers are only accessible via the various messages. The registers are listed on the following pages.

REGISTER 2-1: CFG0: CONFIGURATION REGISTER 0

U-0	R/W-0	R/W-0	R/W-0	R/W-0	R/W-0	R/W-0	R/W-0
—	PU30K	SLEEP	NEUSIM	EXTUVLO	EXTSC	EXTOC1	EXTOC0
bit 7							bit 0

Legend:

R = Readable bit

W = Writable bit

U = Unimplemented bit, read as '0'

- n = Value at POR

'1' = Bit is set

'0' = Bit is cleared

x = Bit is unknown

- bit 7 **Unimplemented:** Read as '0'
- bit 6 **PU30K:** 30 k Ω level translator pull up
1 = Disable disconnect of 30 k Ω LIN pull up when CE = 0
0 = Enable disconnect of 30 k Ω LIN pull up when CE = 0
- bit 5 **SLEEP:** Sleep mode bit
Bit may only be changed while in Standby mode
1 = System enters Sleep Mode when CE = 0. Disconnect of 30 k Ω LIN pull up always enabled.
0 = System enters Standby Mode when CE = 0
- bit 4 **NEUSIM:** Neutral simulator
1 = Enable internal neutral simulator
0 = Disable internal neutral simulator
- bit 3 **EXTUVLO:** External MOSFET Undervoltage Lockout
1 = Disable
0 = Enable
- bit 2 **EXTSC:** External MOSFET short circuit detection
1 = Disable
0 = Enable
- bit 1-0 **EXTOC<1:0>:** External MOSFET overcurrent limit value
00 = Overcurrent limit set to 0.250V
01 = Overcurrent limit set to 0.500V
10 = Overcurrent limit set to 0.750V
11 = Overcurrent limit set to 1.000V

Installation and Operation

REGISTER 2-2: CFG1: CONFIGURATION REGISTER 1

R/W-0	R/W-1	R/W-0	R/W-0	R/W-0	R/W-0	R/W-0	R/W-0
DACREF7	DACREF6	DACREF5	DACREF4	DACREF3	DACREF2	DACREF1	DACREF0
bit 7							bit 0

Legend:

R = Readable bit

W = Writable bit

U = Unimplemented bit, read as '0'

- n = Value at POR

'1' = Bit is set

'0' = Bit is cleared

x = Bit is unknown

bit 7-0

DACREF<7:0>: DAC current reference value

$(4.503V - 0.991V)/255 = 13.77 \text{ mV/bit}$

00H = 0.991V

40H = 1.872V ($40H \times 0.1377 \text{ mV/bit} + 0.991V$)

FFH = 4.503V ($FFH \times 0.1377 \text{ mV/bit} + 0.991V$)

MCP8025 TQFP BLDC Motor Driver Evaluation Board User's Guide

REGISTER 2-3: CFG2: CONFIGURATION REGISTER 2

U-0	U-0	U-0	R/W-0	R/W-0	R/W-0	R/W-0	R/W-0
-	-	-	DRVDT2	DRVDT1	DRVDT0	DRVBL1	DRVBL0
bit7							bit 0

Legend:

R = Readable bit	W = Writable bit	U = Unimplemented bit, read as '0'
- n = Value at POR	'1' = Bit is set	'0' = Bit is cleared x = Bit is unknown

bit 7-5 **Unimplemented:** Read as '0'

bit 4-2 **DRVDT<2:0>:** Driver Dead Time selection bits

000 = 2000 ns
 001 = 1750 ns
 010 = 1500 ns
 011 = 1250 ns
 100 = 1000 ns
 101 = 750 ns
 110 = 500 ns
 111 = 250 ns

bit 1-0 **DRVBL<1:0>:** Driver Blanking Time selection bits

00 = 4000 ns
 01 = 2000 ns
 10 = 1000 ns
 11 = 500 ns

Installation and Operation

REGISTER 2-4: STAT0: STATUS REGISTER 0

R-0	R-0	R-0	R-0	R-0	R-0	R-0	R-0
BUVLOF	BUVLOW	BIOCPW	OVLOF	DOVLOF	UVLOF	OTPF	OTPW
bit7							bit 0

Legend:

R = Readable bit	W = Writable bit	U = Unimplemented bit, read as '0'
- n = Value at POR	'1' = Bit is set	'0' = Bit is cleared
		x = Bit is unknown

bit 7	BUVLOF: Buck Undervoltage Lockout fault 1 = Buck output voltage is below 80% of expected value 0 = Buck output voltage is above 80% of expected value
bit 6	BUVLOW: Buck Undervoltage Lockout warning 1 = Buck output voltage is below 90% of expected value 0 = Buck output voltage is above 90% of expected value
bit 5	BIOCPW: Buck input overcurrent protection warning 1 = Buck input current is above 2A peak 0 = Buck input current is below 2A peak
bit 4	OVLOF: Input Overvoltage Lockout fault 1 = V_{DD} Input voltage > 32V 0 = V_{DD} Input voltage < 32V
bit 3	DOVLOF: Driver input Overvoltage Lockout fault 1 = $20V < V_{DDH}$ 0 = $V_{DD} < 20V$
bit 2	UVLOF: Input Undervoltage fault 1 = V_{DD} Input voltage < 5.5V 0 = V_{DD} Input voltage > 5.5V
bit 1	OTPF: Overtemperature protection fault 1 = Device junction temperature is > 160°C 0 = Device junction temperature is < 160°C
bit 0	OTPW: Overtemperature protection warning 1 = Device junction temperature is > 115°C 0 = Device junction temperature is < 115°C

MCP8025 TQFP BLDC Motor Driver Evaluation Board User's Guide

REGISTER 2-5: STAT1: STATUS REGISTER 1

U-0	U-0	R-0	R-1	R-0	R-0	R-0	R-0
–	–	UVLOF5V	BORW	XOCPF	XUVLOF	–	–
bit7							bit 0

Legend:

R = Readable bit	W = Writable bit	U = Unimplemented bit, read as '0'
- n = Value at POR	'1' = Bit is set	'0' = Bit is cleared
		x = Bit is unknown

- bit 7-6 **Unimplemented:** Read as '0'
- bit 5 **UVLOF5V:** 5V LDO Undervoltage Lockout
 1 = 5V LDO output voltage < 4.0V
 0 = 5V LDO output voltage > 4.0V
- bit 4 **BORW:** Brown-out Reset Warning, Configuration Lost
 1 = Device internal reset has occurred since last configuration message
 0 = No internal device reset has occurred since last configuration message
- bit 3 **XOCPF:** External MOSFET overcurrent protection fault
 Only Valid when EXTSC = 1 in CFG0 Register
 1 = External MOSFET $V_{DS} > EXTOC$ value in CFG0 Register
 0 = External MOSFET $V_{DS} < EXTOC$ value in CFG0 Register
- bit 2 **XUVLOF:** External MOSFET Gate Drive undervoltage fault
 Only valid when EXTUVLO = 1 in CFG0 register
 1 = HSx output voltage < 8V
 0 = HSx output voltage > 8V
- bit 1-0 **Unimplemented:** Read as '0'



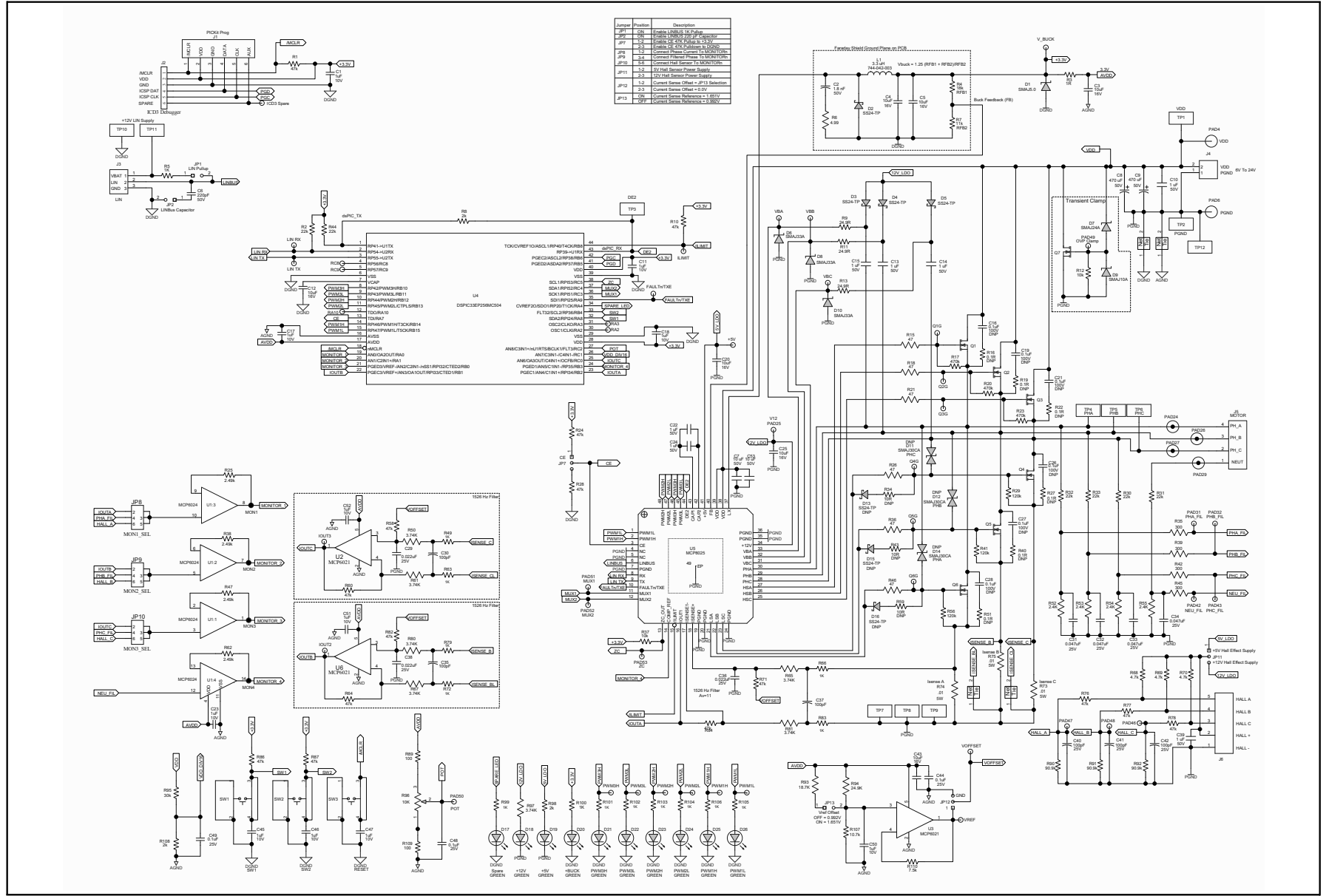
Appendix A. Schematic and Layouts

A.1 INTRODUCTION

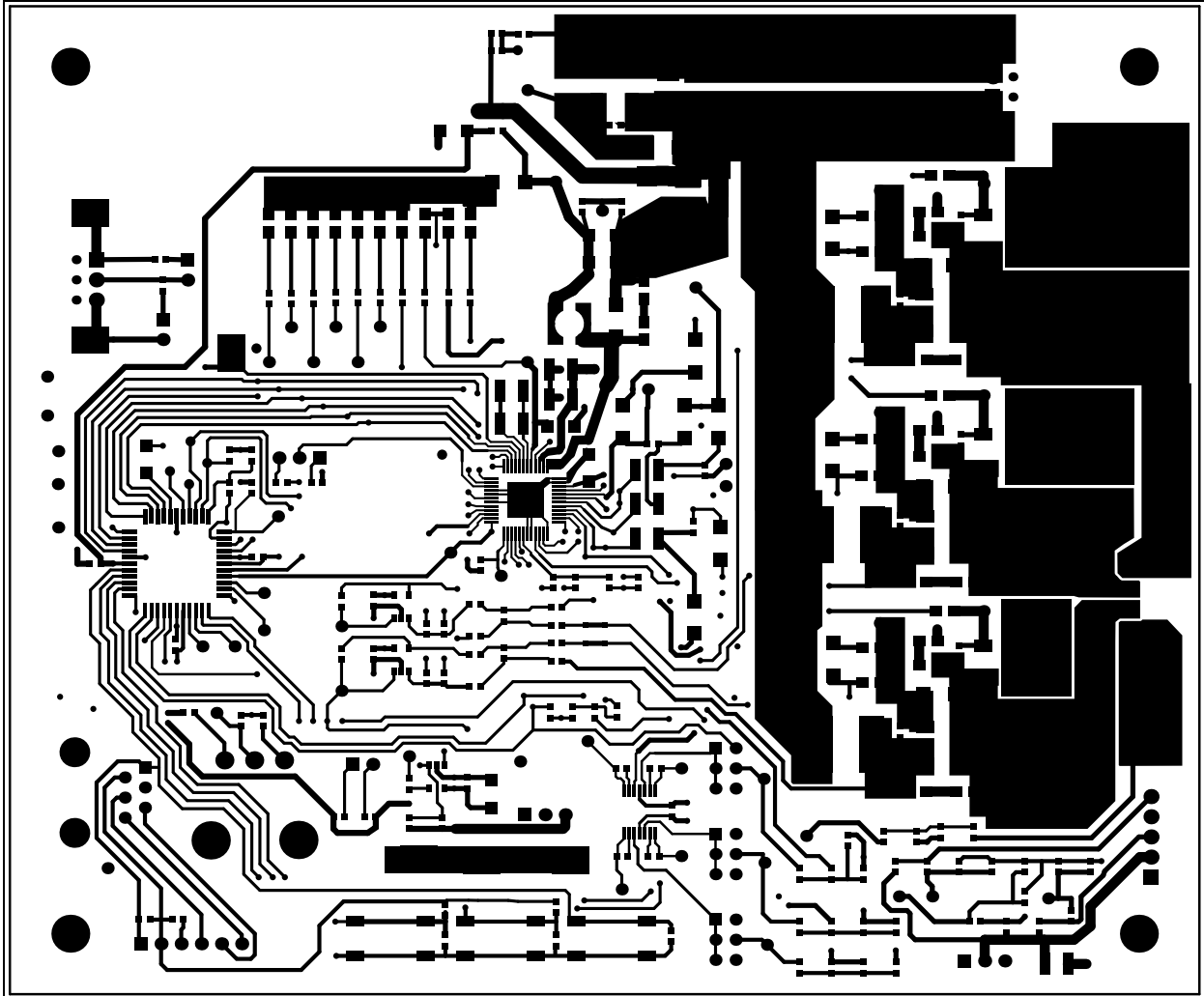
This appendix contains the following schematics and layouts for the MCP8025 TQFP BLDC Motor Driver Evaluation Board:

- Board – Schematic
- Board – Top Silk Layer
- Board – Top Metal Layer
- Board – Mid1 Metal Layer
- Board – Mid2 Metal Layer
- Board – Bottom Metal Layer

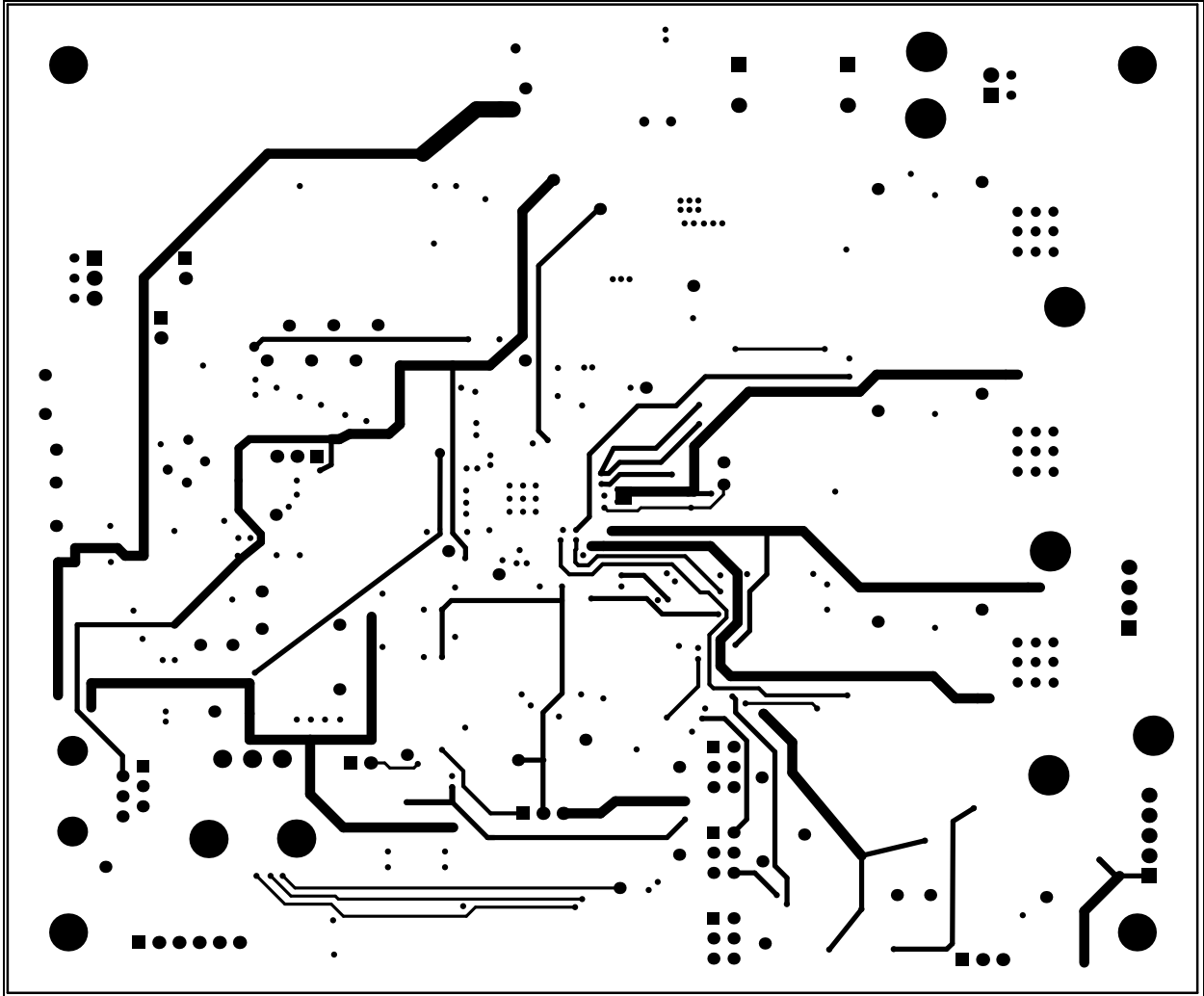
A.2 BOARD - SCHEMATIC



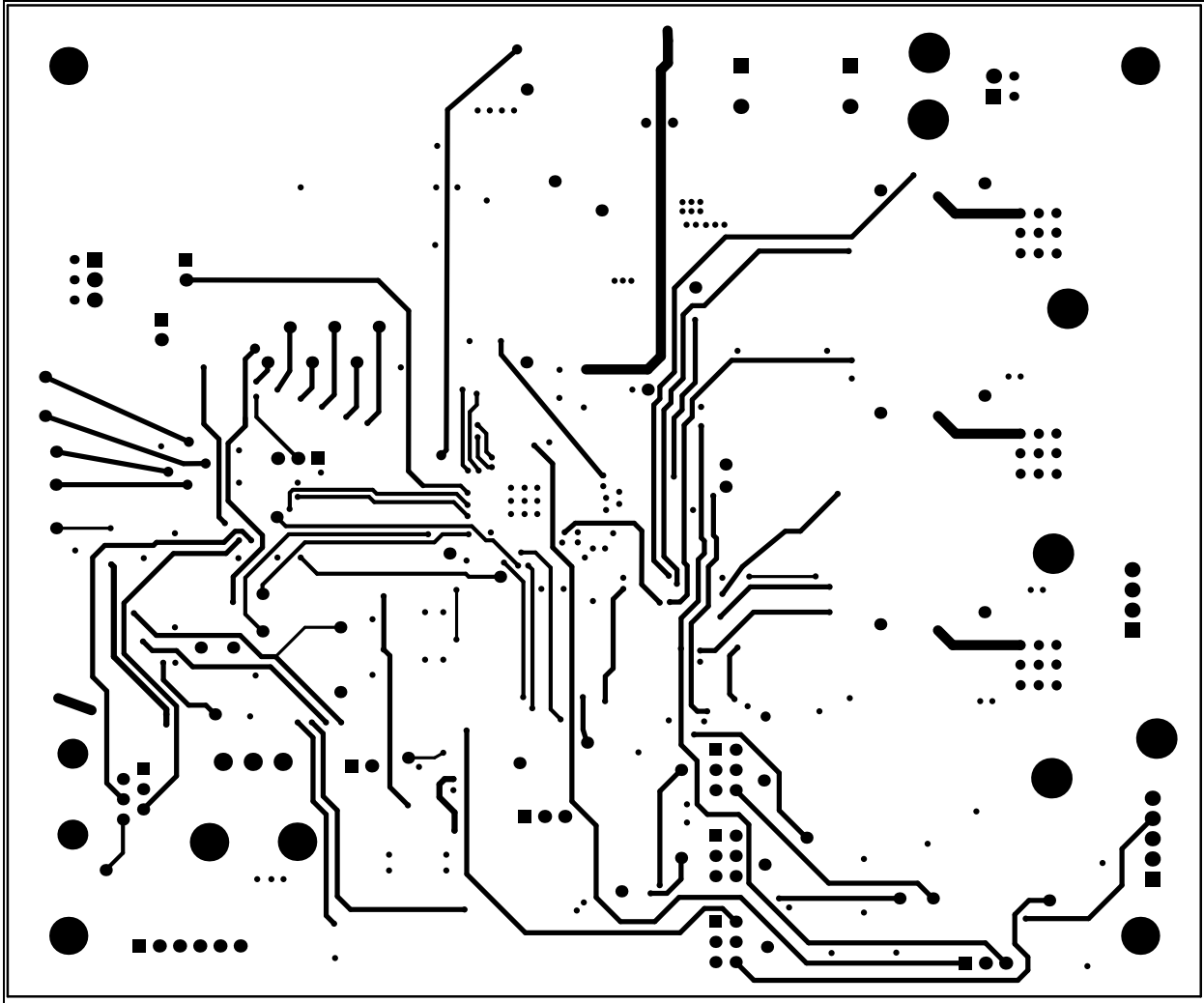
A.4 BOARD – TOP METAL LAYER



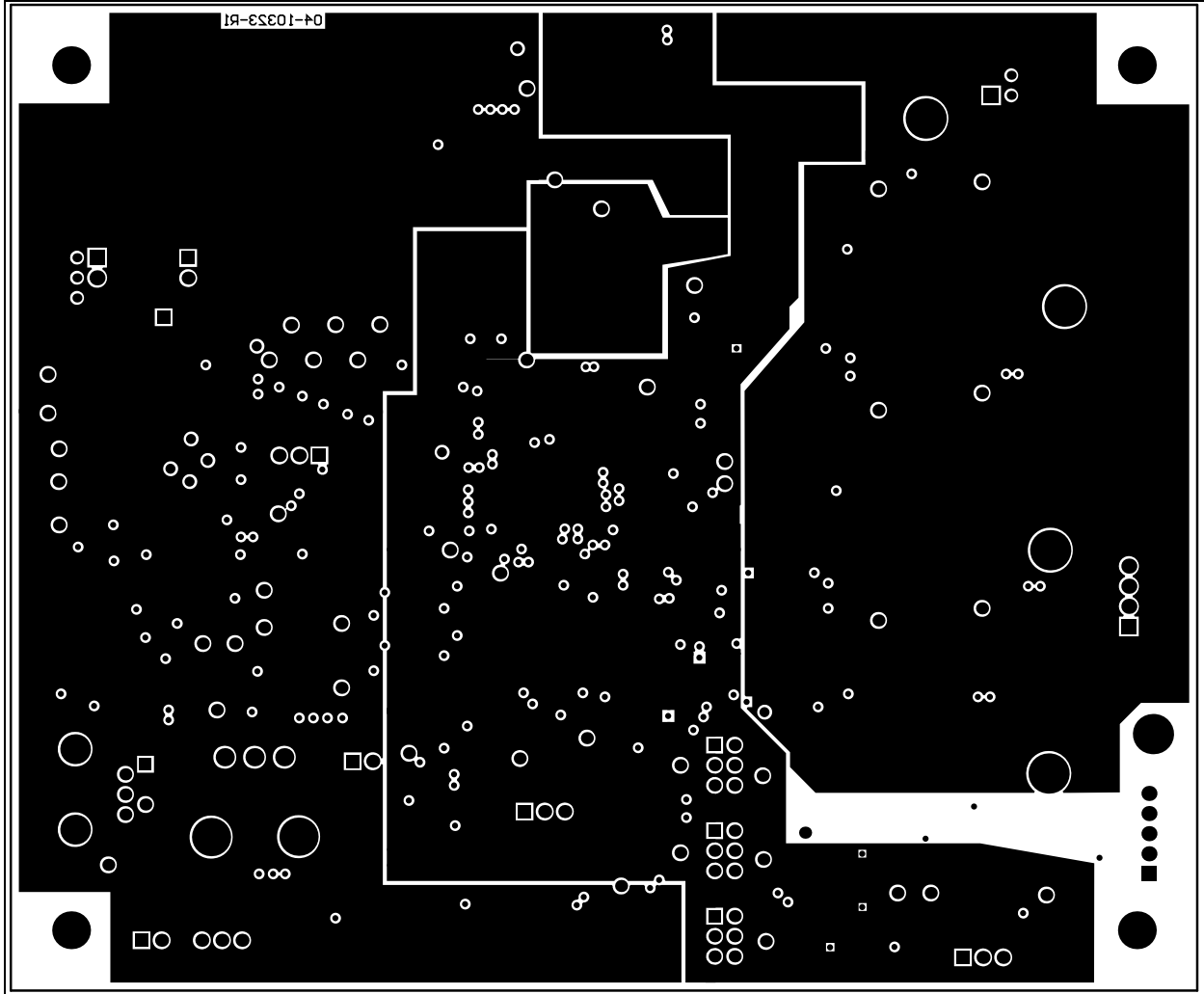
A.5 BOARD – MID1 METAL LAYER



A.6 BOARD – MID2 METAL LAYER



A.7 BOARD – BOTTOM METAL LAYER



NOTES:

Appendix B. Bill of Materials

TABLE B-1: BILL OF MATERIALS (BOM)

Qty.	Reference	Description	Manufacturer	Part Number
11	C1, C11, C17, C18, C23, C45, C46, C47, C50, C51, C52	Cap. ceramic 1 μ F 10V 10% X7R SMD 0603	Taiyo Yuden Co., Ltd.	LMK107B7105KA-T
1	C2	Cap. ceramic 1800 pF 50V 10% X7R 0805	AVX Corporation	08055C182KAT2A
7	C3, C4, C5, C12, C20, C25, C43	Cap. ceramic 10 μ F 16V 10% X7R SMD 1206	TDK Corporation	C3216X7R1C106K
1	C6	Cap. ceramic 220 pF 50V 10% X7R SMD 0603	TDK Corporation	C1608X7R1H221K
2	C7, C53	Cap. ceramic 10 μ F 50V 10% X5R 1210	Taiyo Yuden Co., Ltd.	UMK325BJ106KM-T
2	C8, C9	Cap. Alum-Elect 470 μ F 50V 20% Radial	United Chemi-Con	EKZE500ELL471MK20S
7	C10, C13, C14, C15, C22, C24, C39	Cap. ceramic 1 μ F 50V 10% X7R 1210	Taiyo Yuden Co., Ltd.	UMK325B7105KH-T
0	C16, C19, C21, C26, C27, C28	Cap. ceramic 0.1 μ F 100V 10% X7R SMD 0805 – DO NOT POPULATE	TDK Corporation	C2012X7R2A104K
3	C29, C36, C38	Cap. ceramic 22000 pF 25V 10% X7R SMD 0603	AVX Corporation	06033C223KAT2A
6	C30, C35, C37, C40, C41, C42	Cap. ceramic 100 pF 50V 10% X7R 0603	KEMET [®]	C0603C101K5RACTU
4	C31, C32, C33, C34	Cap. ceramic 47000 pF 25V 10% X7R SMD 0603	Panasonic [®] – ECG	ECJ-1VB1E473K
3	C44, C48, C49	Cap. ceramic 0.1 μ F 25V 10% X7R SMD 0603	Murata Electronics [®]	GRM188R71E104KA01D
1	D1	Transient voltage suppressor 400W 5% 5V SMA	Vishay Intertechnology, Inc.	SMAJ5.0A-E3/61
4	D2, D3, D4, D5	Diode Schottky SS24-TP 550 mV 2A 40V SMD DO-214AC_SMA	Micro Commercial Components	SS24-TP
3	D6, D8, D10	Transient voltage suppressor 400W 33V unidirectional SMA	Vishay Intertechnology, Inc.	SMAJ33A
1	D7	Transient voltage suppressor 400W 24V unidirectional SMA	Vishay Intertechnology, Inc.	SMAJ24A
1	D9	Transient Voltage Suppressor 400W 10V unidirectional SMA	Vishay Intertechnology, Inc.	SMAJ10A

Note 1: The components listed in this Bill of Materials are representative of the PCB assembly. The released BOM used in manufacturing uses all RoHS-compliant components.

MCP8025 TQFP BLDC Motor Driver Evaluation Board User's Guide

TABLE B-1: BILL OF MATERIALS (BOM) (CONTINUED)

Qty.	Reference	Description	Manufacturer	Part Number
0	D11, D12, D14	Transient voltage suppressor 400W 30V bidirectional SMA – DO NOT POPULATE	Vishay Intertechnology, Inc.	SMAJ30CA
0	D13, D15, D16	Diode Schottky SS24-TP 550 mV 2A 40V SMD DO-214AC_SMA – DO NOT POPULATE	Micro Commercial Components	SS24-TP
10	D17, D18, D19, D20, D21, D22, D23, D24, D25, D26	Light Emitting Diode (LED) green, 2x1.2 MM, 570 NM, WTR CLR, SMD	Kingbright Corp.	APT2012CGCK
1	J1	Conn. header 8 POS.100 STR 30AU	FCI	68001-108HLF
1	J2	Conn. modular RJ25 TH R/A	TE Connectivity, Ltd.	5555165-1
1	J3	Conn. term. BLOCK 2.54 mm 3POS	PHOENIX CONTACT	1725669
1	J4	Conn. term. BLOCK 2.54 mm 2POS	PHOENIX CONTACT	1725656
1	J5	Conn. term. BLOCK 2.54 mm 4POS	PHOENIX CONTACT	1725672
1	J6	Conn. term. BLOCK 2.54 mm 5POS	PHOENIX CONTACT	1725685
3	JP1, JP2, JP13	Conn. header-2.54 male 1x2 tin 6.10 mh. th. vert.	Molex [®]	0022284020
9	JP3	Mech. hardware jumper 2.54 mm 1x2 handle gold	TE Connectivity, Ltd.	881545-2
3	JP7, JP11, JP12	Conn. header-2.54 male 1x3 tin 6.75 mh. th. vert.	Molex	90120-0123
3	JP8, JP9, JP10	Conn. header-2.54 male 2x3 tin 5.84 mh. th. vert.	FCI	67996-406HLF
1	L1	Inductor 3.3 μ H 100 kHz	Würth [®] Group	744-042-003
4	PAD55	Mech. hardware rubber pad SQ taper 0.50x0.50x0.23 black	3M	SJ-5518
1	PCB	Printed Circuit Board – MCP8025 TQFP BLDC Motor Driver Evaluation Board	Microchip Technology Inc.	04-10323
7	Q1, Q2, Q3, Q4, Q5, Q6, Q7	MOSFET N-channel 60V 50A DPAK	Fairchild Semiconductor [®]	FDD10AN06A0
15	R1, R10, R24, R28, R58, R60, R64, R71, R76, R77, R78, R82, R84, R86, R87	Res. TKF 47k Ω 1% 1/10W SMD 0603	Stackpole Electronics, Inc.	RMCF 1/16 47K 1% R
6	R2, R30, R31, R32, R33, R44	Res. TKF 22 k Ω 1% 1/10W SMD 0603	Stackpole Electronics, Inc.	RMCF0603JT22K0
1	R3	Res. TKF 1R 1% 1/10W SMD 0603	Panasonic – ECG	ERJ-3RQF1R0V
1	R4	Res. TKF 18 k Ω 1% 1/10W SMD 0603	ROHM Semiconductor	MCR03EZPFX1802

Note 1: The components listed in this Bill of Materials are representative of the PCB assembly. The released BOM used in manufacturing uses all RoHS-compliant components.

Bill of Materials

TABLE B-1: BILL OF MATERIALS (BOM) (CONTINUED)

Qty.	Reference	Description	Manufacturer	Part Number
15	R5, R49, R63, R66, R72, R79, R83, R99, R100, R101, R102, R103, R104, R105, R106	Res. TKF 1k Ω 1% 1/10W SMD 0603	Panasonic – ECG	ERJ-3EKF1001V
1	R6	Res. 4.99 Ω 1/8W 1% 0805 SMD	Yageo Corporation	RC0805FR-074R99L
1	R7	Res. TKF 11 k Ω 1% 1/10W SMD 0603	Panasonic – ECG	ERJ-3EKF1102V
3	R8, R98, R108	Res. TKF 2k Ω 1% 1/10W SMD 0603	Stackpole Electronics, Inc.	RMCF0603FT2K00
3	R9, R11, R13	Res. TKF 24.9 Ω 1% 1/10W SMD 0603	Vishay/Dale	CRCW060324R9FKEA
2	R12, R37	Res. 10 k Ω 1/10W 1% 0603 SMD	Panasonic – ECG	ERJ-3EKF1002V
6	R15, R18, R21, R26, R36, R46	Res. 47 Ω 1/8W 1% 0805 SMD	Yageo Corporation	RC0805FR-0747RL
0	R16, R19, R22, R27, R40, R51	Res. TKF 0.1R 1% 1/8W SMD 0805 – DO NOT POPULATE	Panasonic – ECG	ERJ-L06KF10CV
3	R17, R20, R23	Res. TKF 470 k Ω 1/10W 1% SMD 0603	Panasonic – ECG	ERJ-3EKF4703V
4	R25, R38, R47, R62	Res. TKF 2.49 k Ω 1% 1/10W SMD 0603	Panasonic – ECG	ERJ-3EKF2491V
3	R29, R41, R56	Res. TKF 120 k Ω 1% 1/10W SMD 0603	Panasonic – ECG	ERJ-3EKF1203V
0	R34, R43, R59	Res. TKF 10R 1% 1/8W SMD 0805 – DO NOT POPULATE	ROHM Semiconductor	MCR10EZHF10R0
4	R35, R39, R42, R45	Res. TKF 300 Ω 1% 1/10W SMD 0603	Yageo Corporation	RC0603FR-07300RL
7	R50, R61, R65, R67, R80, R81, R97	Res. TKF 3.74 k Ω 1% 1/10W SMD 0603	Yageo Corporation	RC0603FR-073K74L
4	R52, R53, R54, R55	Res. TKF 2.4 k Ω 1% 1/10W SMD 0603	Yageo Corporation	RC0603FR-072K4L
3	R68, R69, R70	Res. TKF 4.7 k Ω 1% 1/10W SMD 0603	ROHM Semiconductor	MCR03EZPFX4701
3	R73, R74, R75	Res. 010 Ω 5W 1% FLAT SMD	TT Electronics Plc./IRC, Inc.	OARSXPR010FLF
2	R89, R109	Res. TKF 100R 1% 1/10W SMD 0603	Panasonic	ERJ-3EKF1000V
3	R90, R91, R92	Res. TKF 90.9 k Ω 1% 1/10W SMD 0603	Panasonic	ERJ-3EKF9092V
1	R93	Res. TKF 18.7 k Ω 1% 1/10W SMD 0603	Yageo Corporation	RC0603FR-0718K7L
1	R94	Res. TKF 24.9 k Ω 1% 1/10W SMD 0603	Yageo Corporation	RC0603FR-0724K9L
1	R95	Res. TKF 30 k Ω 1% 1/10W SMD 0603	Stackpole Electronics, Inc.	RMCF0603FT30K0
1	R96	Potentiometer 10 k Ω 1/8W carb. vert.	CTS [®] Corporation	296UD103B1N
1	R107	Res. TKF 10.7 k Ω 1% 1/10W SMD 0603	Panasonic	ERJ-3EKF1072V
1	R110	Res. TKF 7.5 k Ω 1% 1/10W SMD 0603	Panasonic	ERJ-3EKF7501V
3	SW1, SW2, SW3	Switch tact. spst. 12V 50 mA TL3301AF260QG SMD	E-Switch [®] , Inc.	TL3301AF260QG

Note 1: The components listed in this Bill of Materials are representative of the PCB assembly. The released BOM used in manufacturing uses all RoHS-compliant components.

MCP8025 TQFP BLDC Motor Driver Evaluation Board User's Guide

TABLE B-1: BILL OF MATERIALS (BOM) (CONTINUED)

Qty.	Reference	Description	Manufacturer	Part Number
12	TP1 – TP12	SMT test point	Keystone Electronics Corp.	5016
1	U1	Microchip analog op amp 4-Ch 10 MHz MCP6024-E/ST TSSOP-14	Microchip Technology Inc.	MCP6024-E/ST
3	U2, U3, U6	Microchip analog op amp 1-Ch 10 MHz MCP6021T-E/OT SOT-23-5	Microchip Technology Inc.	MCP6021T-E/OT
1	U4	dsPIC33EP256MC504	Microchip Technology Inc.	dsPIC33EP256MC504-I/PT
1	U5	MCP8025 TQFP-48 3-Phase Brushless DC (BLDC) Motor Gate Driver with Power Module, Sleep Mode, LIN Transceiver	Microchip Technology Inc.	MCP8025-115E/PT

Note 1: The components listed in this Bill of Materials are representative of the PCB assembly. The released BOM used in manufacturing uses all RoHS-compliant components.

Appendix C. Software

C.1 SOFTWARE LOCATION

The application software may be downloaded from the MCP8025 web page located on the Microchip web site, <http://www.microchip.com>.

C.2 SELECTED SOFTWARE CONSTANTS AND DEFINITIONS

1. **FOSC**
Microprocessor Oscillator Frequency in Hz. based upon PLL scaling.
2. **FPWM = 20000, 40000 or 50000**
Selects dsPIC DSC PWM frequency in Hz.
3. **PWMRESBITS = 7 or 8 or 9**
Sets the PWM resolution and corresponding PLL divisor. 20 kHz may use 7, 8, or 9 bits. 40 kHz may use 7 or 8 bits. 50 kHz may use 7 or 8 bits.
4. **FPLLO**
PWM Phase Locked Loop Oscillator frequency.
5. **LOOPMODE = CLOSEDLOOPMODE**
Sets motor controller to use closed-loop control. The PID control functions will be used to control motor speed.
6. **LOOPMODE = OPENLOOPMODE**
Sets motor controller to use open-loop control. The speed adjust input relative position will be used to set the motor speed.
7. **PWM_COUNTS_PER_PERIOD = (FCY/FPWM -1)**
Defines the number of timer counts per PWM period.
8. **RAMPUP_START_PERIOD**
Defines the initial number of PWM periods to use to ramp the motor speed during startup. The firmware will force the number of PWM periods to occur between commutations. Both the RAMPUP_START_PERIOD and RAMPUP_END_PERIOD may need to be adjusted for different motors and voltages. The settings should be different by at least a value of 10. The motor will start with "RAMPUP_START_PERIOD" number of PWM periods occurring before the first commutation, then decrement the RAMPUP_START_PERIOD value and wait for the new number of PWM periods to occur before commutating again. This effectively reduces the time between forced commutations and allows for a controlled ramp up of motor speed during open loop starting.
9. **RAMPUP_END_PERIOD**
Defines the final number of PWM periods to use to ramp the motor speed during startup.
10. **OPEN_LOOP_ACCEL_RATE**
Defines the acceleration rate when changing speeds in open-loop mode.
11. **OPEN_LOOP_DECEL_RATE**
Defines the deceleration rate when changing speeds in open-loop mode.
12. **MAX_DUTY_CYCLE**
Defines the maximum desired PWM duty cycle.

13. **MIN_DUTY_CYCLE**
Defines the minimum desired PWM duty cycle.
14. **STARTUP_DUTY_CYCLE**
Defines the initial PWM duty cycle during motor startup. Set this parameter to the duty cycle required to start the motor for a given supply voltage.
15. **PHASE_ADVANCE_DEGREES**
Defines the number of electrical degrees (in timer tics) that will be subtracted from the calculated commutation timer reload count. This allows for compensating for any latencies in the system.
16. **ZC_BLANKING_COUNT**
Defines the number of PWM periods that the ADC readings are ignored. This allows filtering of signals after commutation when high voltage and current spikes may be present. Set this value to 2 when using the Hurst DMB0224C10002 motor that is available at Microchip Direct. Set the value to 1 for higher speed hobby motors like the Electrify Rimfire 0.55 motor.
17. **int ReferenceSpeed**
Contains the motor target speed based upon the SPEED potentiometer input.
18. **int DesiredSpeed**
Contains the desired motor target speed based upon the SPEED potentiometer input.
19. **int CurrentSpeed**
Contains the current motor speed.
20. **unsigned int SpeedControl_P**
Proportional term of the closed-loop PID control function. Sets the motor gain coefficient for the current speed error.
21. **unsigned int SpeedControl_I**
Integral term of the closed-loop PID control function. Sets the motor gain coefficient for previous speed changes.
22. **unsigned int SpeedControl_D**
Derivative term of the closed-loop PID control function. Sets the motor gain coefficient for predicted errors in the motor control loop.
23. **PWM_STATE**
Array containing the high-side and low-side gate driver output states for a given step of the six-step commutation algorithm.
24. **IOCONn_LOCKSTATE (n = 1,2,3)**
High-side and low-side gate driver output states for locking the rotor to a known position prior to motor startup.
25. **BOOTSTRAP_CHARGE_STATE**
High-side and low-side gate driver output states for charging the bootstrap capacitors prior to motor startup
26. **MOTOR_SHUTDOWN_STATE**
High-side and low-side gate driver output states that may be used when shutting down the motor.
27. **ADC_MASK[]**
A/D Back EMF mask used for majority detection.
28. **ADC_XOR[]**
A/D Back EMF mask used for majority detection.
29. **ADC_BEMF_FILTER[]**
A/D Back EMF filter table used to determine next commutation time.

C.3 DSPIC33EP256MC504 PIM PORT USAGE

C.3.1 Port A Mapping

```

#define NA_RA0      PORTAbits.RA0    /* used by AN0 - MONITOR1 */
#define NA_RA1      PORTAbits.RA1    /* used by AN1 - MONITOR2 */
#define UNUSED_RA2  PORTAbits.RA2    /* unused port bit */
#define UNUSED_RA3  PORTAbits.RA3    /* unused port bit */
#define SPARE_LED   PORTAbits.RA4    /* USB LED */
#define NA_RA5      PORTAbits.RA5    /* Not Available */
#define NA_RA6      PORTAbits.RA6    /* Not Available */
#define DRIVER_CE   PORTAbits.RA7    /* driver CE pin */
#define SW1         !PORTAbits.RA8    /* SW1 Push Button */
#define nFAULT_TXE PORTAbits.RA9    /* LIN Fault/Transmit
                                     Enable bit */
#define UNUSED_RA10 PORTAbits.RA10   /* unused port bit */

```

C.3.2 Port B Mapping

```

#define MONITOR3    PORTBbits.RB0    /* used by AN2 - MONITOR3 */
#define IOUTB       PORTBbits.RB1    /* used by AN3 - IOUTB */
#define IOUTA       PORTBbits.RB2    /* used by AN4 - IOUTA */
#define MONITOR4    PORTBbits.RB3    /* used by AN5 - MONITOR4 */
#define SW2         !PORTBbits.RB4    /* SW2 Push Button */
#define PGD         PORTBbits.RB5    /* Programming Data */
#define PGC         PORTBbits.RB6    /* Programming Clock */
#define DE2_RX      PORTBbits.RB7    /* used by RX from DE2
                                     Communications using RP39
                                     and UART */
#define ILIMIT      PORTBbits.RB8    /* driver ILIMIT_OUT: 1= ok,
                                     0=Current Limit or fault,
                                     open-drain */
#define DE2_TX      PORTBbits.RB9    /* used by TX to DE2
                                     Communications using
                                     RP41 and UART */
#define PWM3H       PORTBbits.RB10   /* PWM3H output */
#define PWM3L       PORTBbits.RB11   /* PWM3L output */
#define PWM2H       PORTBbits.RB12   /* PWM2H output */
#define PWM2L       PORTBbits.RB13   /* PWM2L output */
#define PWM1H       PORTBbits.RB14   /* PWM1H output */
#define PWM1L       PORTBbits.RB15   /* PWM1L output */

```

C.3.3 Port C Mapping

```
#define IOUTC      PORTCbits.RC0  /* AN6 - IOUTC */
#define VDD_DIV16 PORTCbits.RC1  /* AN7 - VDD_DIV16 */
#define SPEED_POT PORTCbits.RC2  /* AN8 - Speed Pot */
#define MUX1      PORTCbits.RC3  /* output: Mux select 1 */
#define MUX2      PORTCbits.RC4  /* output: Mux select 2 */
#define ZC        PORTCbits.RC5  /* input: Zero Crossing */
#define LIN_RX    PORTCbits.RC6  /* input: LIN RX port */
#define LIN_TX    PORTCbits.RC7  /* output: LIN TX port */
#define UNUSED_RC8 PORTCbits.RC8 /* unused port bit */
#define UNUSED_RC9 PORTCbits.RC9 /* unused port bit */
```

C.3.4 A/D Mappings

AN0 (RA0) = MONITOR1
AN1 (RA1) = MONITOR2
AN2 (RB0) = MONITOR3
AN3 (RB1) = IOUTB
AN4 (RB2) = IOUTA
AN5 (RB3) = MONITOR4
AN6 (RC0) = IOUTC
AN7 (RC1) = VDD_DIV16
AN8 (RC2) = Speed Pot

C.4 COMMUNICATIONS MESSAGE MAPPINGS

Message	Address
SET_CFG0_MSG	0x81
GET_CFG0_MSG	0x82
SET_CFG1_MSG	0x83
GET_CFG1_MSG	0x84
STAT0_MSG	0x85
STAT1_MSG	0x86
SET_CFG2_MSG	0x87
GET_CFG2_MSG	0x88

C.5 MPLAB X COMPILER STARTUP

1. Start up the MPLAB X compiler (not supplied, available on the Microchip web site).
2. From the toolbar, select *File > Open Project*.
3. Browse to the evaluation board source code path.
4. Select the existing project file named MCP8025_EVALUATION_BOARD.
5. In the Projects window, right mouse-click on MCP8025_EVALUATION_BOARD and select Properties. The page contains the project properties. Processor, Compiler, Hardware, and Config settings may be changed here.

Note: The user may need to modify the paths to the source files and linker files based upon their locations on the host computer. Be sure to verify the Libraries contain the correct path to `libdsp-elf.a`

6. Right mouse-click on MCP8025_EVALUATION_BOARD again and select “Make and Program Device”. This will compile the firmware and download it to the programming hardware.
7. The compiler results will be displayed in the Output window frame. Verify success.

C.6 MPLAB X IDE AND PICKIT 3 EXERCISE

1. Start up the MPLAB X (not supplied, available on the Microchip web site).
2. From the toolbar, select *File > Open Project*.
3. Browse to the evaluation board source code path.
4. Select the existing workspace directory named MCP8025_EVALUATION_BOARD or create a new one.
5. Connect the PICKit 3 programmer to header J1 on the evaluation board. Align Pin 1 of the header with the Pin 1 mark on the programmer.
6. Set the bench power supply voltage control to minimum voltage output.
7. Turn on the power supply and set the output voltage to 14V. Turn off the power supply.
8. Connect the bench power supply to the evaluation board. Connect +V(14V) to J4-2 and -V (Ground) to J4-1.
9. Turn on the power supply.
10. Right mouse-click on MCP8025_EVALUATION_BOARD in the *Projects* window and select “Make and Program Device”. This will compile the firmware and program the dsPIC33EP256MC504 processor.
11. The compiler results will be displayed in the Output window frame. Verify success.
12. Connect a Brushless DC (BLDC) motor to connector J5. Connect the motor phase wires to the PH_A (J5-4), PH_B (J5-3), and PH_C (J5-2) terminals. The NEUT terminal (J5-1) is not used with the demonstration firmware.
13. Momentarily press the RESET switch on the evaluation board. This step is required to reset the dsPIC DSC device after programming.
14. Turn the SPEED adjustment fully counter-clockwise. This sets the motor to the slowest speed.
15. Momentarily press the SW2 switch to start the motor.
16. Momentarily press the SW2 switch again to stop the motor.
17. Momentarily press the SW2 switch again to start the motor.
18. Turn the SPEED adjustment clockwise. The motor speed should increase.

19. You may probe the different test points on the board to see the various signals being generated. The Q1G through Q6G test points will show the external MOSFET gate drive signals. The D21 through D26 LEDs show the state of the PWM inputs to the MCP8025. The MON1 through MON4 test points show the output of the jumper-selected signals. PHA_FIL, PHB_FIL, and PHC_FIL are the filtered Back EMF voltages from the motor. They are used to determine the commutation time in the demonstration firmware. The SPARE_LED turns ON when a fault has occurred.
20. Stop the motor by pressing SW2 again.
21. Change the motor control from Closed Loop to Open Loop. This is done by editing the MCP8025_EVALUATION.C file.
22. Click on Source Files in the *Projects* window and then double-click on the MCP8025_EVALUATION.C entry.
23. Search for the preprocessor definition LOOPMODE.
24. Change the LOOPMODE definition from CLOSEDLOOPMODE to OPENLOOPMODE.
25. Right mouse-click MCP8025_EVALUATION_BOARD in the Projects window and select "Make and Program Device". This will compile the firmware and program the dsPIC33EP256MC504 PIM module.
26. The compiler results will be displayed in the Output window frame. Verify success.
27. Momentarily press the RESET switch on the evaluation board. This step is required to reset the dsPIC DSC device after programming.
28. Turn the SPEED adjustment fully counter-clockwise. This sets the motor to the slowest speed.
29. Momentarily press the SW2 switch again to start the motor.
30. Turn the SPEED adjustment clockwise. The motor speed should increase.
31. In OPENLOOPMODE, the motor speed is forced based upon the position of the SPEED adjust potentiometer. If the SPEED adjust is set to 60%, the firmware will set the PWM duty cycle to 60%. While this allows for simple control of the motor, it is not efficient. If the motor is externally loaded, the motor may not be able to maintain the manually set commutation time which will result in a motor stall. The motor runs more efficiently when the motor is allowed to commutate based upon rotor location and not by an external reference. In CLOSEDLOOPMODE, the motor will commutate at the proper time based upon the Back EMF information. If the motor is externally loaded, the motor will automatically adjust for the load in order to maintain the correct commutation time.
32. Momentarily press the SW2 switch again to stop the motor.

NOTES:



MICROCHIP

Worldwide Sales and Service

AMERICAS

Corporate Office
2355 West Chandler Blvd.
Chandler, AZ 85224-6199
Tel: 480-792-7200
Fax: 480-792-7277
Technical Support:
<http://www.microchip.com/support>
Web Address:
www.microchip.com

Atlanta
Duluth, GA
Tel: 678-957-9614
Fax: 678-957-1455

Austin, TX
Tel: 512-257-3370

Boston
Westborough, MA
Tel: 774-760-0087
Fax: 774-760-0088

Chicago
Itasca, IL
Tel: 630-285-0071
Fax: 630-285-0075

Cleveland
Independence, OH
Tel: 216-447-0464
Fax: 216-447-0643

Dallas
Addison, TX
Tel: 972-818-7423
Fax: 972-818-2924

Detroit
Novi, MI
Tel: 248-848-4000

Houston, TX
Tel: 281-894-5983

Indianapolis
Noblesville, IN
Tel: 317-773-8323
Fax: 317-773-5453

Los Angeles
Mission Viejo, CA
Tel: 949-462-9523
Fax: 949-462-9608

New York, NY
Tel: 631-435-6000

San Jose, CA
Tel: 408-735-9110

Canada - Toronto
Tel: 905-673-0699
Fax: 905-673-6509

ASIA/PACIFIC

Asia Pacific Office
Suites 3707-14, 37th Floor
Tower 6, The Gateway
Harbour City, Kowloon
Hong Kong
Tel: 852-2943-5100
Fax: 852-2401-3431

Australia - Sydney
Tel: 61-2-9868-6733
Fax: 61-2-9868-6755

China - Beijing
Tel: 86-10-8569-7000
Fax: 86-10-8528-2104

China - Chengdu
Tel: 86-28-8665-5511
Fax: 86-28-8665-7889

China - Chongqing
Tel: 86-23-8980-9588
Fax: 86-23-8980-9500

China - Hangzhou
Tel: 86-571-8792-8115
Fax: 86-571-8792-8116

China - Hong Kong SAR
Tel: 852-2943-5100
Fax: 852-2401-3431

China - Nanjing
Tel: 86-25-8473-2460
Fax: 86-25-8473-2470

China - Qingdao
Tel: 86-532-8502-7355
Fax: 86-532-8502-7205

China - Shanghai
Tel: 86-21-5407-5533
Fax: 86-21-5407-5066

China - Shenyang
Tel: 86-24-2334-2829
Fax: 86-24-2334-2393

China - Shenzhen
Tel: 86-755-8864-2200
Fax: 86-755-8203-1760

China - Wuhan
Tel: 86-27-5980-5300
Fax: 86-27-5980-5118

China - Xian
Tel: 86-29-8833-7252
Fax: 86-29-8833-7256

China - Xiamen
Tel: 86-592-2388138
Fax: 86-592-2388130

China - Zhuhai
Tel: 86-756-3210040
Fax: 86-756-3210049

ASIA/PACIFIC

India - Bangalore
Tel: 91-80-3090-4444
Fax: 91-80-3090-4123

India - New Delhi
Tel: 91-11-4160-8631
Fax: 91-11-4160-8632

India - Pune
Tel: 91-20-3019-1500

Japan - Osaka
Tel: 81-6-6152-7160
Fax: 81-6-6152-9310

Japan - Tokyo
Tel: 81-3-6880-3770
Fax: 81-3-6880-3771

Korea - Daegu
Tel: 82-53-744-4301
Fax: 82-53-744-4302

Korea - Seoul
Tel: 82-2-554-7200
Fax: 82-2-558-5932 or
82-2-558-5934

Malaysia - Kuala Lumpur
Tel: 60-3-6201-9857
Fax: 60-3-6201-9859

Malaysia - Penang
Tel: 60-4-227-8870
Fax: 60-4-227-4068

Philippines - Manila
Tel: 63-2-634-9065
Fax: 63-2-634-9069

Singapore
Tel: 65-6334-8870
Fax: 65-6334-8850

Taiwan - Hsin Chu
Tel: 886-3-5778-366
Fax: 886-3-5770-955

Taiwan - Kaohsiung
Tel: 886-7-213-7830

Taiwan - Taipei
Tel: 886-2-2508-8600
Fax: 886-2-2508-0102

Thailand - Bangkok
Tel: 66-2-694-1351
Fax: 66-2-694-1350

EUROPE

Austria - Wels
Tel: 43-7242-2244-39
Fax: 43-7242-2244-393

Denmark - Copenhagen
Tel: 45-4450-2828
Fax: 45-4485-2829

France - Paris
Tel: 33-1-69-53-63-20
Fax: 33-1-69-30-90-79

Germany - Dusseldorf
Tel: 49-2129-3766400

Germany - Munich
Tel: 49-89-627-144-0
Fax: 49-89-627-144-44

Germany - Pforzheim
Tel: 49-7231-424750

Italy - Milan
Tel: 39-0331-742611
Fax: 39-0331-466781

Italy - Venice
Tel: 39-049-7625286

Netherlands - Drunen
Tel: 31-416-690399
Fax: 31-416-690340

Poland - Warsaw
Tel: 48-22-3325737

Spain - Madrid
Tel: 34-91-708-08-90
Fax: 34-91-708-08-91

Sweden - Stockholm
Tel: 46-8-5090-4654

UK - Wokingham
Tel: 44-118-921-5800
Fax: 44-118-921-5820

03/25/14