



### User-selectable Options

Component pads are included to enable a variety of user-selectable circuits to be added to the amplifier outputs. The output has additional resistor and capacitance placements for loading as shown in Figure 3:

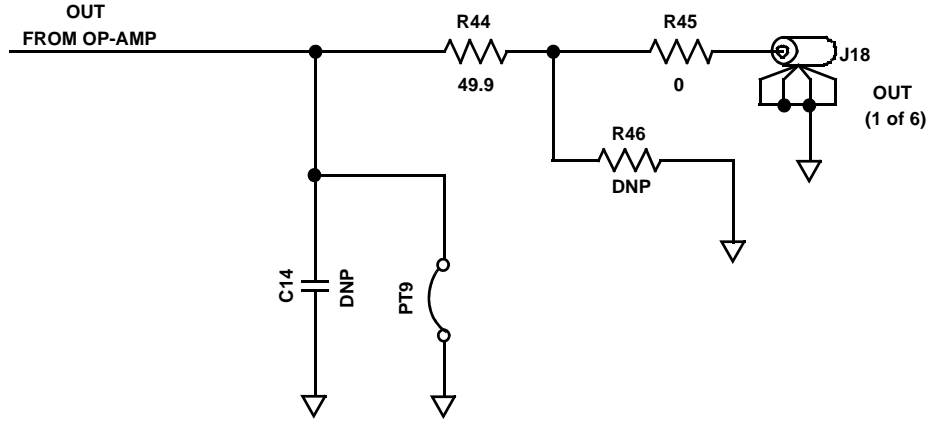
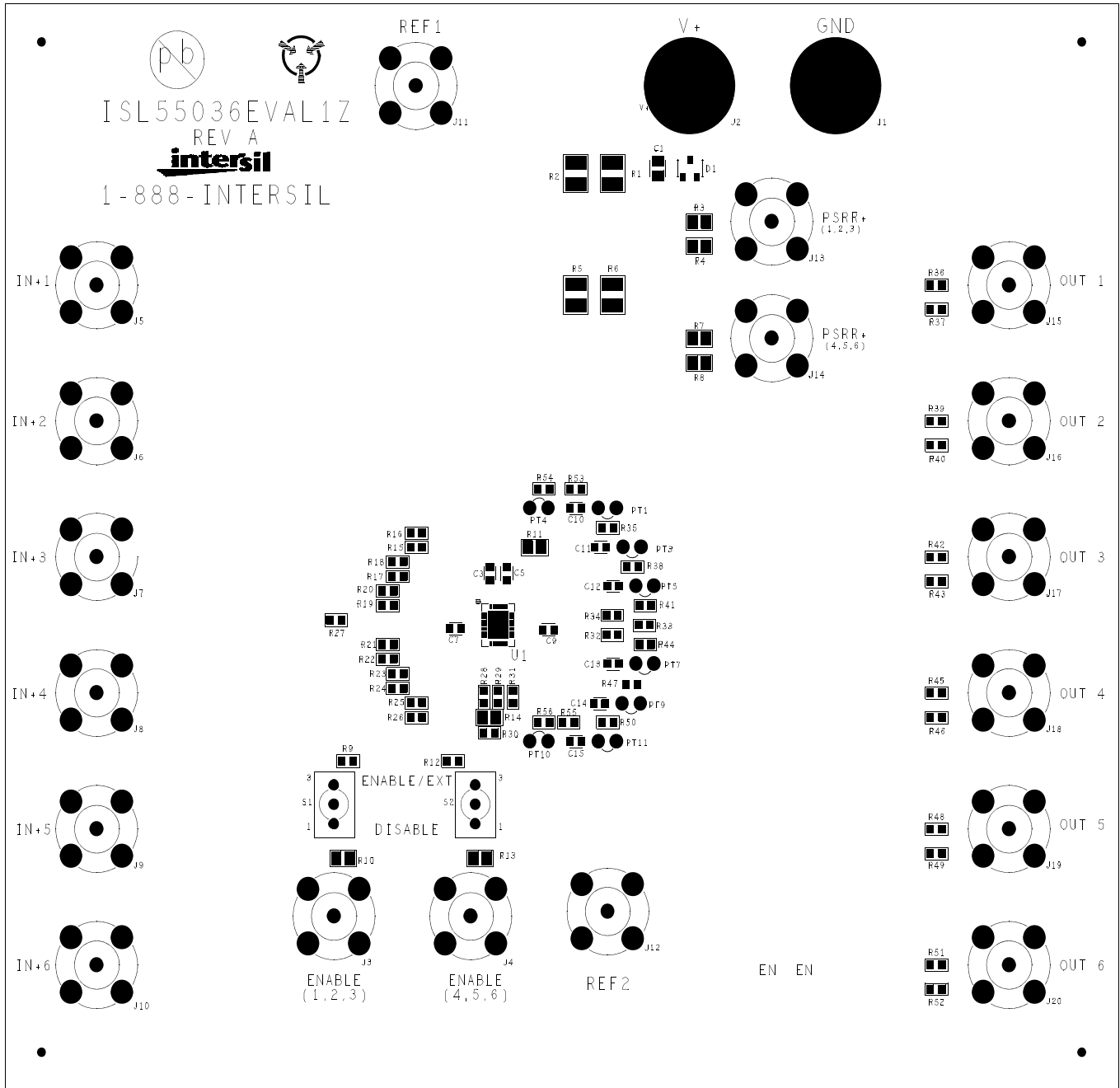


FIGURE 3. OUTPUT STAGE

### ISL55036EVAL1Z Components Parts List

DEVICE NUMBER	DESCRIPTION	COMMENTS
C1	CAP-TANTALUM, SMD, D, 4.7μF, 50V, 10%. LOW ESR, ROHS	Power Supply Decoupling
C3, C5, C7, C9	CAP, SMD, 0603, .01μF, 25V,10%, X7R, ROHS	Power Supply Decoupling
C2, C4, C6, C8	CAP, SMD, 0603,1000pF, 25V,10%, X7R, ROHS	Power Supply Decoupling Not populated
C10 to C15	CAP, SMD, 0603, DNP-PLACE HOLDER	User selectable output capacitors Not populated
D1	DIODE-RECTIFIER, SMD, SOD-123, 2P, 40V, 0.5A, ROHS	Reverse Power Protection
U1 (ISL55036EVAL1Z)	ISL55036FUZ, IC- OP AMP, 24P, QFN, ROHS	
R3, R4, R7, R8, R53-R56	RESISTOR, SMD, 0603, 0.1%, MF, DNP-PLACE HOLDER	For internal use only Not populated
R11, R14, R37, R40, R43,R46, R49, R52	RESISTOR, SMD, 0603, 0.1%, MF, DNP-PLACE HOLDER	User selectable resistors Not populated
R11, R2, R5, R6, R15, R17, R19, R21, R23, R25, R27 to R34, R36, R39, R42, R45, R48, R51, R64	RES, SMD, 0603, 0Ω, 1/16W, tF, ROHS	0Ω user selectable resistors
R10, R13, R16, R18, R20, R22, R24, R26	RES, SMD, 0603, 49.9Ω, 1/10W, 1%, tF, ROHS	Input resistors
R11, R12	RES, SMD, 0603, 75Ω, 1/8W, 1%, tF, ROHS	Output series resistors
R9, R10	RES, SMD, 0603, 10k, 1/10W, 1%, tF, ROHS	Enable pull-up resistors

ISL55036EVAL1Z Top View



Intersil Corporation reserves the right to make changes in circuit design, software and/or specifications at any time without notice. Accordingly, the reader is cautioned to verify that the Application Note or Technical Brief is current before proceeding.

For information regarding Intersil Corporation and its products, see [www.intersil.com](http://www.intersil.com)

# ISL55036EVAL1Z Schematic Diagram

