

NOTES:

1. MATERIAL AND FINISHES:

- HEX NUT - BRASS, GOLD PLATING
- LOCK WASHER - BRASS, GOLD PLATING
- GASKET - SILICONE RUBBER, RED
- INNER FERRULE - BRASS, GOLD PLATING
- SLEEVE - BRASS, GOLD PLATING
- BODY - BRASS, GOLD PLATING
- CONTACT - BRASS, GOLD PLATING
- INSULATOR - PTFE, NATURAL

2. ELECTRICAL:

- A. IMPEDANCE: 50 OHM
- B. FREQUENCY RANGE: 0-12.4 GHz
- C. VSWR (RETURN LOSS): 1.3 (-17.700 dB) MAX. @ 0-3 GHz
- D. D.W.V: 1000 VRMS. MIN.

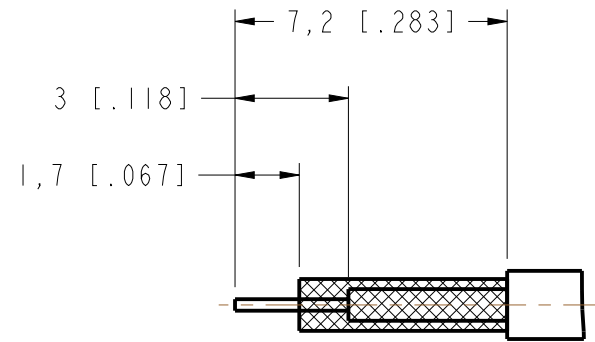
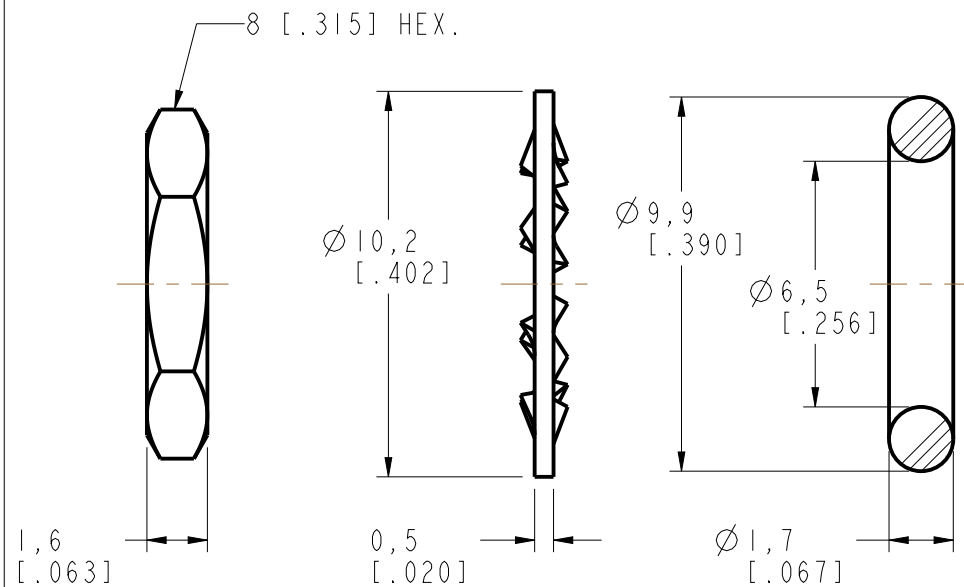
3. MECHANICAL:

- A. DURABILITY: 500 CYCLES MIN.
- B. TEMPERATURE RANGE: -65°C TO +165°C

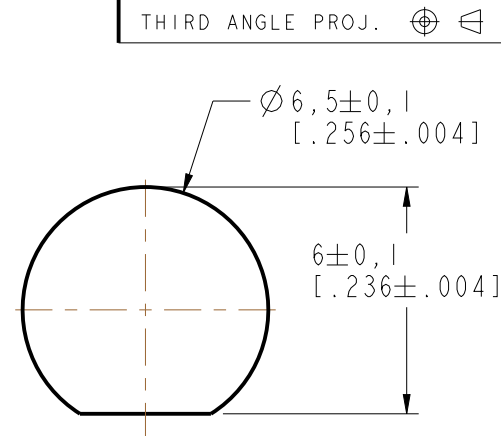
4. CRIMPED FERRULE HEX CRIMP SIZE .128"

5. CONTACT PIN TO SOLDER

6. MAX. PANEL THICKNESS= 3.2 mm

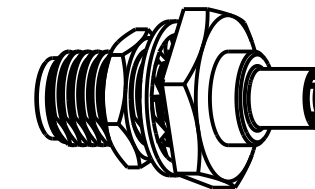


RECOMMENDED
CABLE STRIPPING DIM'S

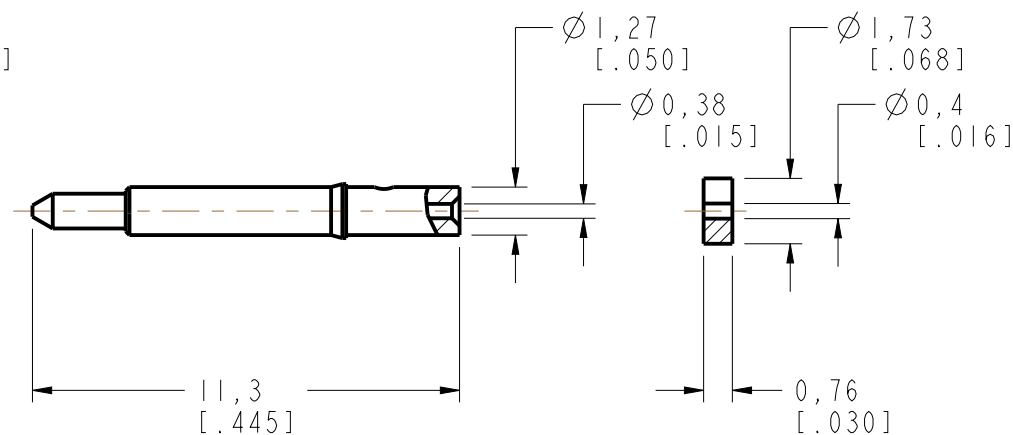
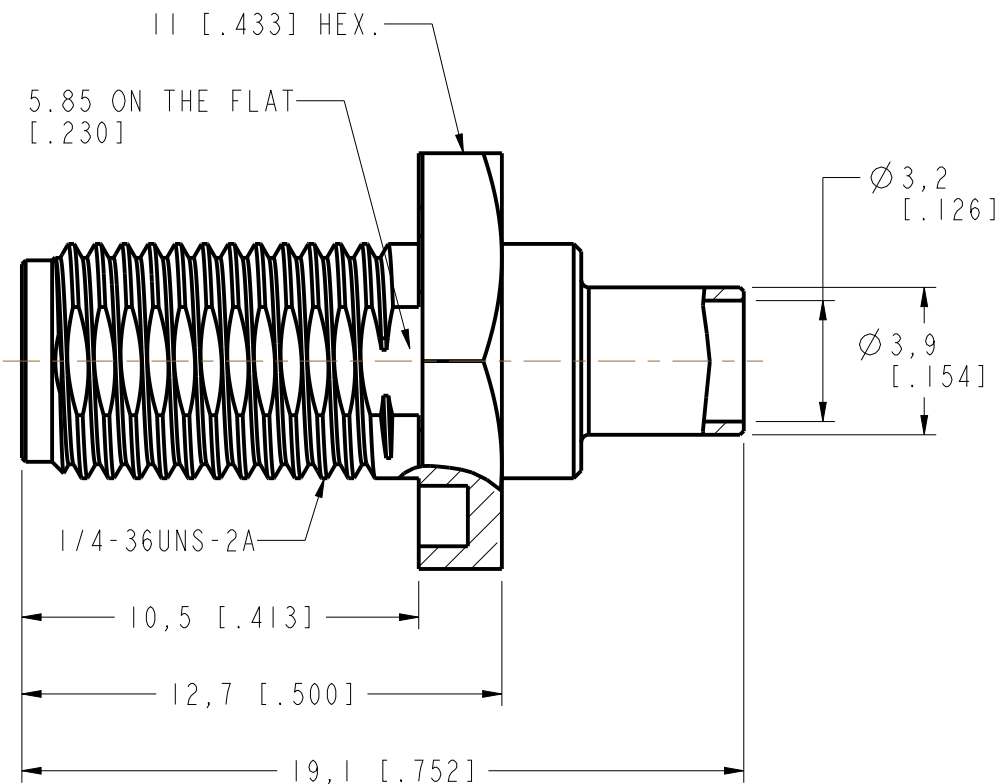
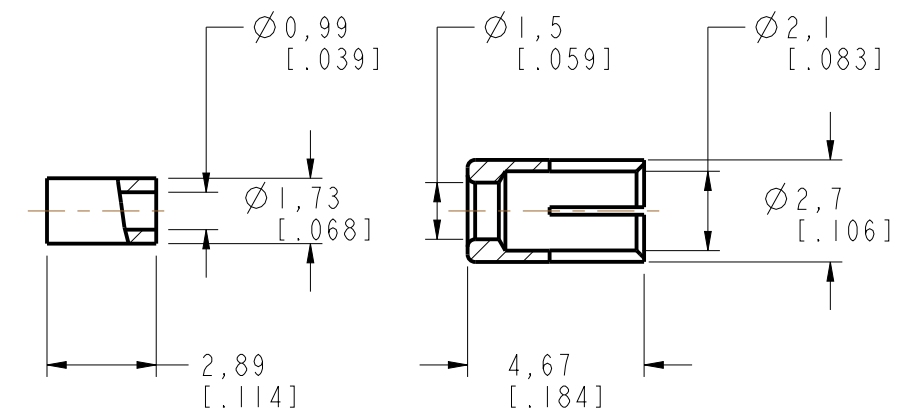


RECOMMENDED
MOUNTING HOLE

		REVISIONS			
REV	DESCRIPTION	DATE	ECO	APPR	
NC	INITIAL RELEASE	20-Oct-05	----	GRS	
A	ADD THE METAL SLEEVE, UPDATE DRAWING FORMAT	03-Dec-14	2826	MZ	



SCALE 2.000



CUSTOMER OUTLINE DRAWING

ALL OTHER SHEETS ARE FOR INTERNAL USE ONLY

UNLESS OTHERWISE SPECIFIED, DIMENSIONS ARE IN METRIC AND TOLERANCES ARE:
 <0.5mm ±0.05mm 0.5 - 6mm ±0.1mm 6 - 30mm ±0.2mm 30 - 120mm ±0.3mm ANGLES ±1°

NOTICE - These drawings, specifications, or other data (1) are, and remain the property of Amphenol corp. (2) must be returned upon request; and (3) are confidential and not to be disclosed to any person other than those to whom they are given by Amphenol Corp. the furnishing of these drawings, specifications, or other data by Amphenol Corp., or to any other person to anyone for any purpose is not to be regarded by implication or otherwise in any manner licensing, granting rights to permitting such holder or any other person to manufacture, use or sell any product, process or design, patented or otherwise, that may in any way be related to or disclosed by said drawings, specifications, or other data.

MATERIAL	DRAWN M. ZHANG	DATE 03-Dec-14	TITLE SMA R/P BULKHEAD CRIMP JACK (FOR RG-178B/U, 196A/U CABLE)		Amphenol Connex
REFERENCE R5MA6411B4-3GT5GP-196AU-50	ENGINEER S. DUAN	DATE 03-Dec-14	DRAWING NO.		
CONFIGURATION LEVEL: In Work	APPROVED S. HSIEH	DATE 03-Dec-14	SCALE: 5.0:1.0	SHEET 3 OF 3	ITEM NO.
FINISH	CAD FILE		DWG SIZE B	REV A	PART NO. 132286RP