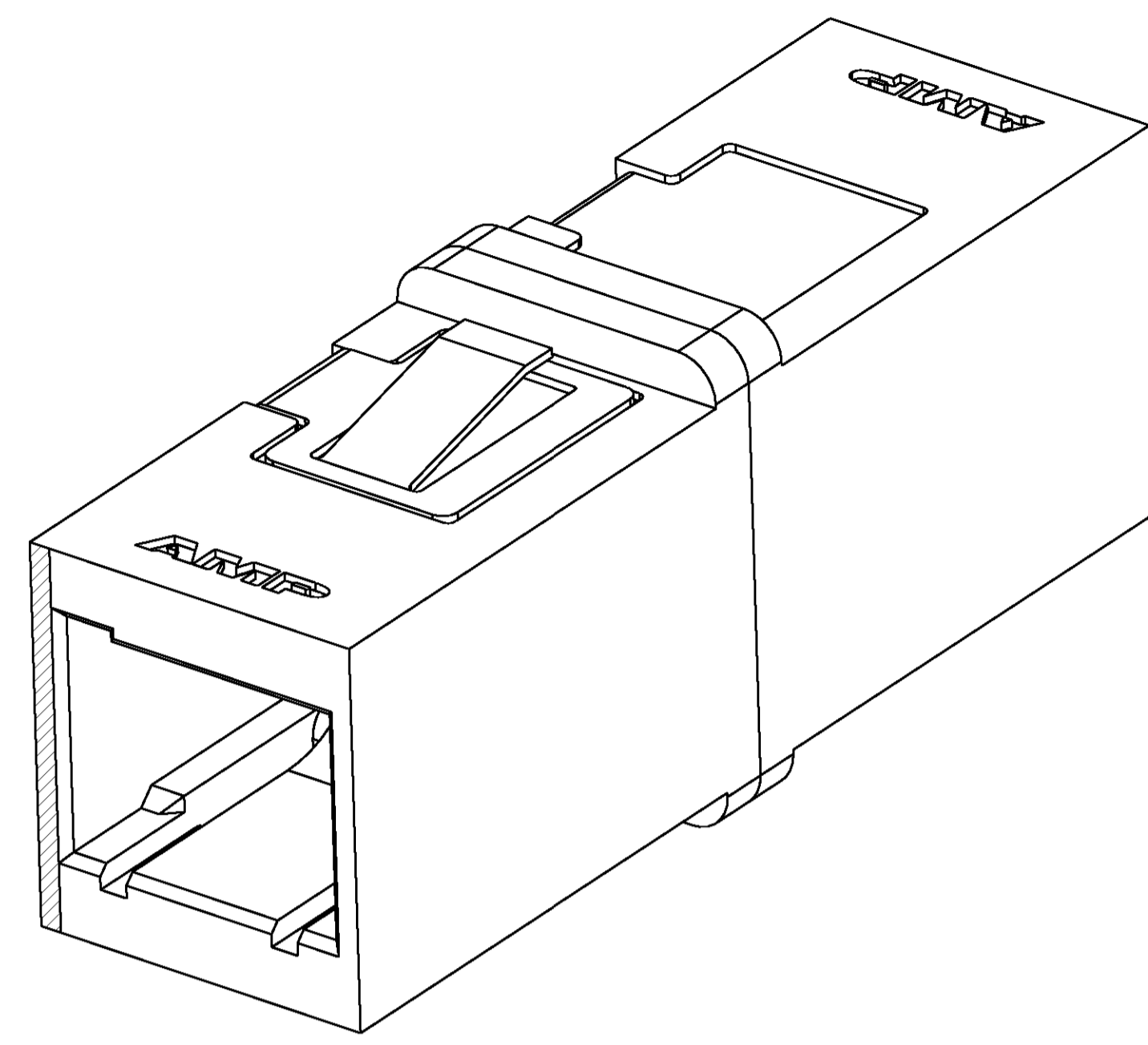
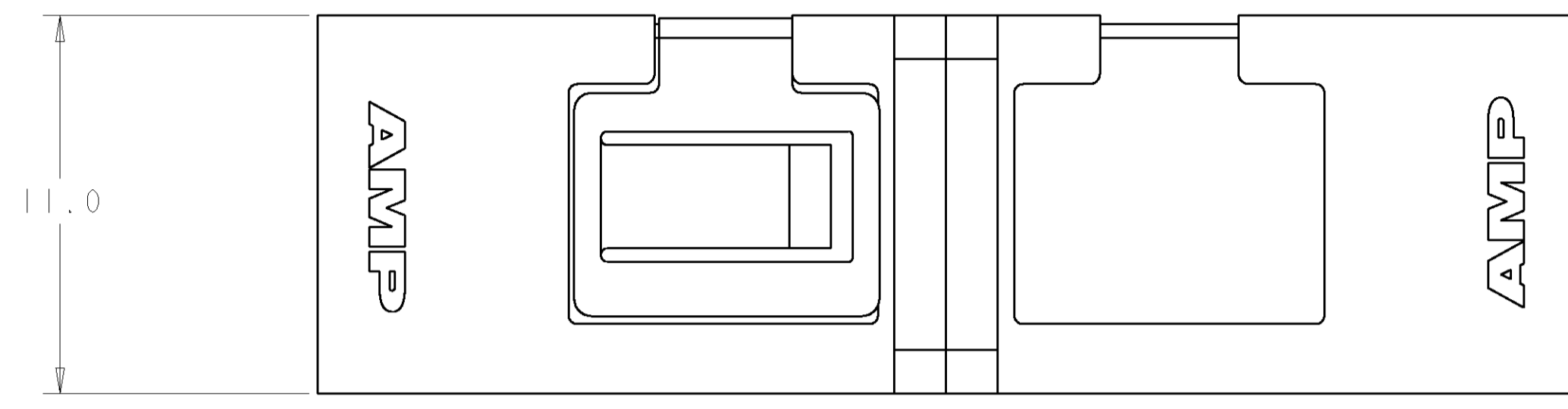
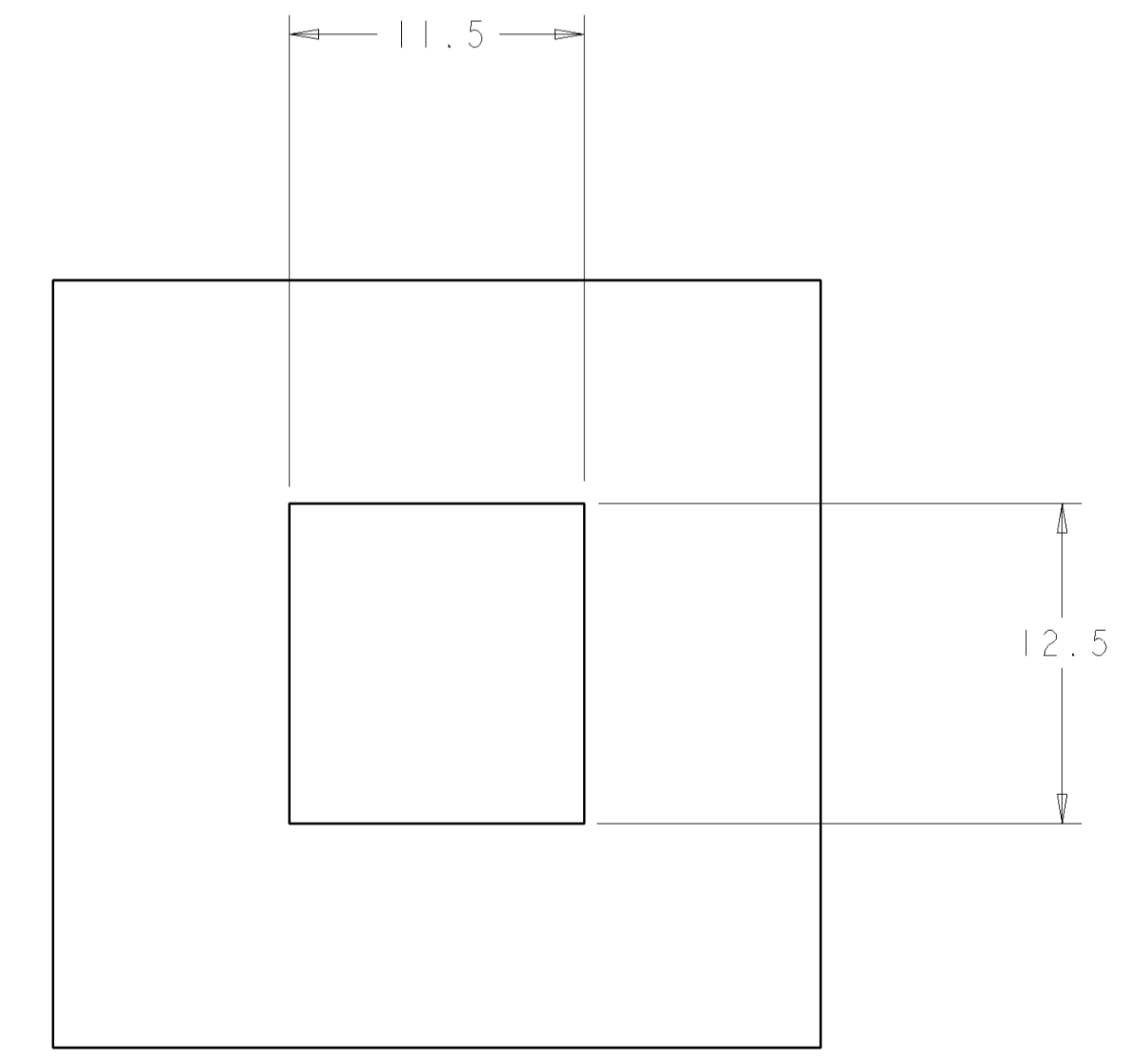
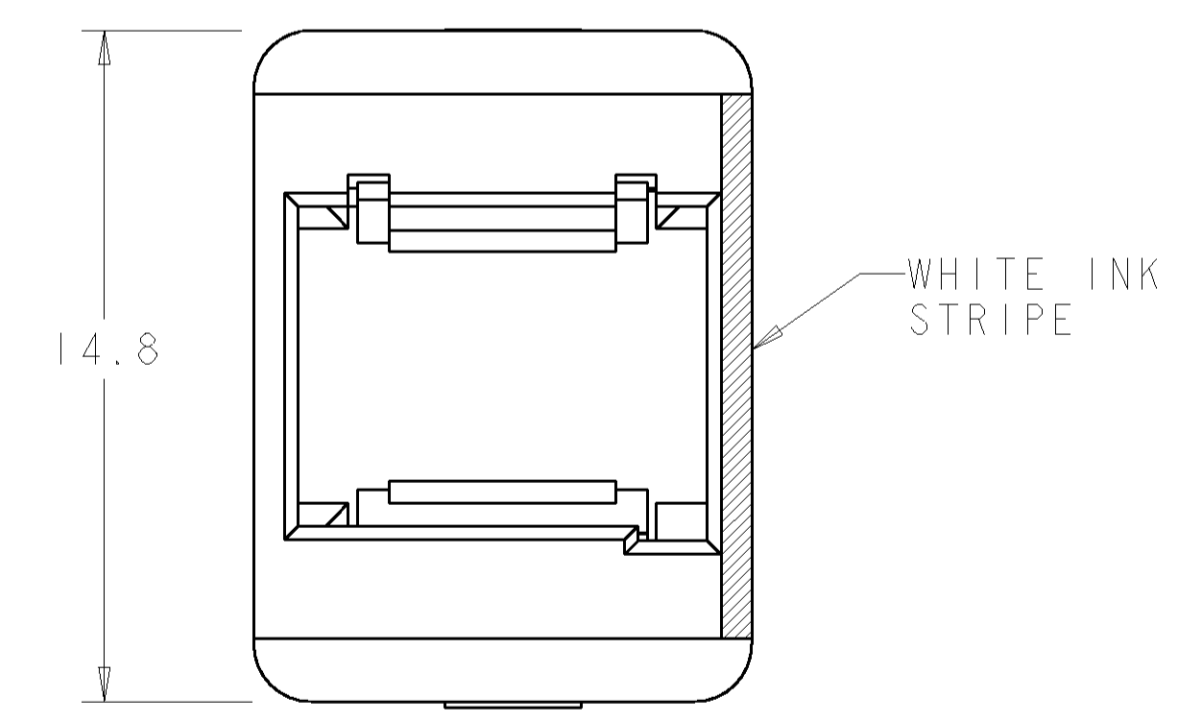
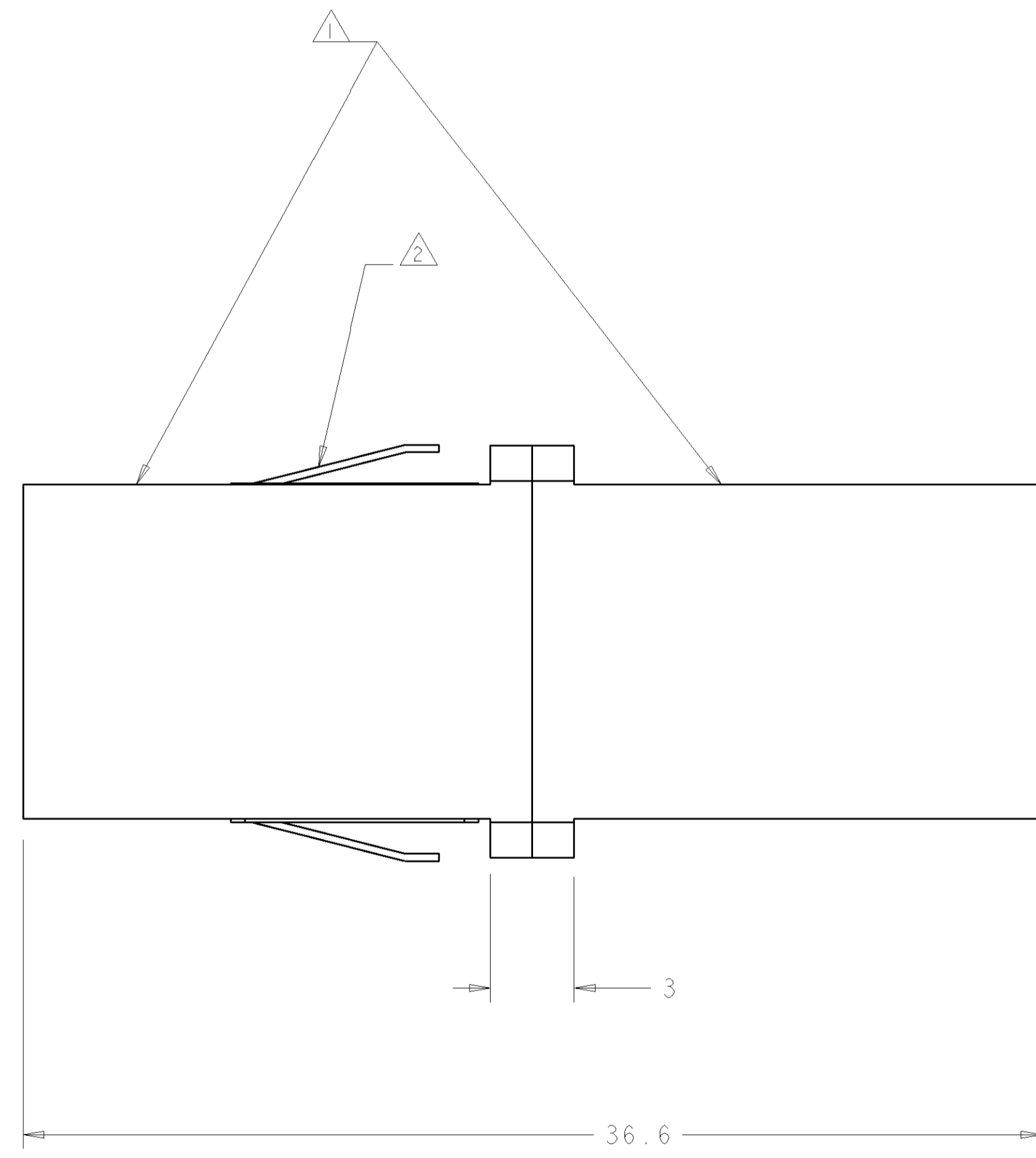
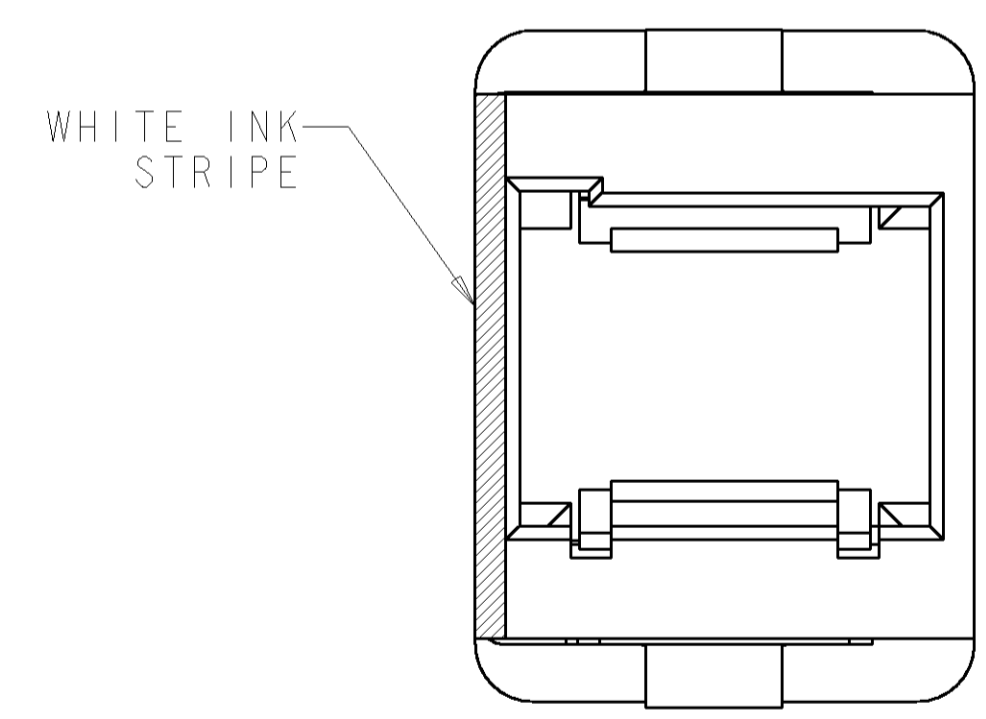


LOC	DIST	REVISIONS					
		F	LTR	DESCRIPTION	DATE	DWN	APPD
CE	17	A		REV PER EC 0A00-0663-00	08AUG2000	LM	LB
		B		REVISED PER EC 0A00-0314-02	29APR2002	EB	AP
		C		REV PER EC 0A00-0172-04	01APR2004	EH	AP



- △ HOUSING MATERIAL:
PBT 30% GLASS FILLED, UL 94 V-0
COLOR: BLACK.
- △ RETENTION CLIP MATERIAL:
STAINLESS STEEL.



SUGGESTED PANEL CUT-OUT
SCALE 4:1

1374650-1
PART NUMBER

<small>THIS DRAWING IS UNPUBLISHED. RELEASED FOR PUBLICATION. ALL RIGHTS RESERVED. ANY REVISIONS TO THIS DRAWING MUST BE CONTROLLED BY THE CONTROLLING ENGINEERING ORGANIZATION. SHOULD BE CONTACTED FOR THE LATEST REVISION.</small>		DWN: L MORNINGSTAR CHK: L BARKUS APPD: F ABENDSCHEIN	ZOMART00 ZOMART00 ZAPROD	NAME: AMP Incorporated Harrisburg, PA 17105-3608
DIMENSIONS: mm	TOLERANCES UNLESS OTHERWISE SPECIFIED: 0 PLC ±. 1 PLC ±.2 2 PLC ±.13 3 PLC ±.013 4 PLC ±. ANGLES ±. FINISH -	PRODUCT SPEC APPLICATION SPEC WEIGHT CUSTOMER DRAWING	SIZE: A1 CAGE CODE: 00779 DRAWING NO: C-1374650 SCALE: 6:1	SHEET 1 OF 1 REV C