

Product Information

TH71101

315/433MHz Receiver

The TH71101 FSK/FM/ASK single-conversion super-heterodyne receiver IC is designed for applications in the European 433 MHz industrial-scientific-medical (ISM) band, according to the EN 300 220 telecommunications standard. It can also be used for any other system with carrier frequencies ranging from 300 MHz to 450 MHz (e.g. for applications according to FCC part 15 and ARIB STD-T67).



Automotive ICs

Hall ICs

Intelligent Drivers and Actuators

RF&RFID

Silicon MEMS

CMOS Imaging

Bus ICs

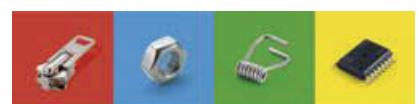
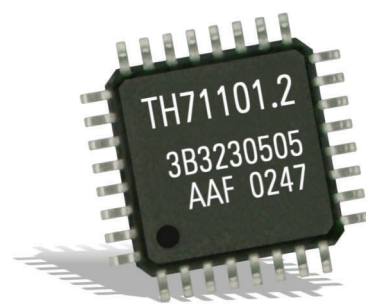
IR Temperature

Features

- Single-conversion superhet architecture for low external component count
- FSK for digital data and FM reception for analog signal transmission
- FSK/FM demodulation with phase-coincidence demodulator
- Low current consumption in active mode and very low standby current
- Switchable LNA gain for improved dynamic range
- RSSI allows signal strength indication and ASK detection
- 32-pin Low profile Quad Flat Package (LQFP32)

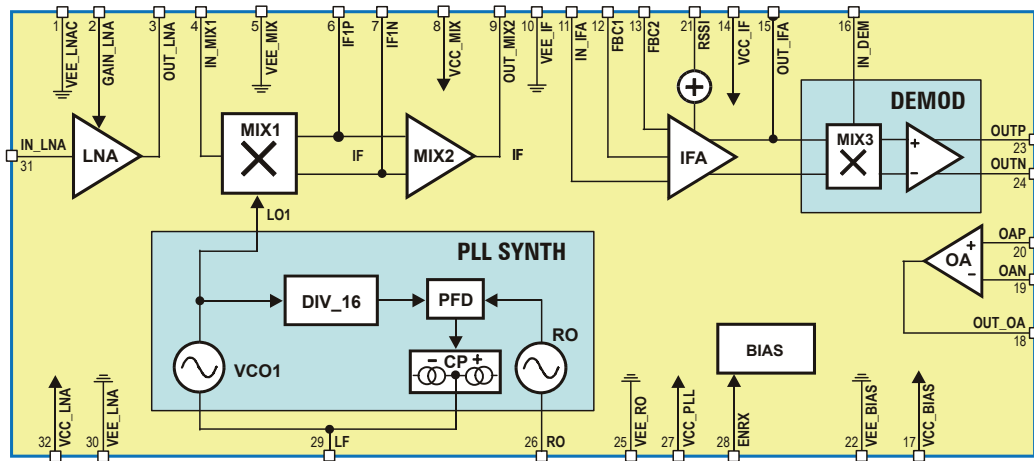
Technical Data Overview

- Input frequency range: 300 MHz to 450 MHz
- Power supply range: 2.3 V to 5.5 V @ ASK
- Temperature range: -40 °C to +85 °C
- Standby current: 50 nA
- Operating current: 6.5 mA at low gain mode
8.2 mA at high gain mode
- Sensitivity: -113 dBm @ ASK, 180 kHz IF filter BW
-107 dBm @ FSK, 180 kHz IF filter BW
- Range of IF: 400 kHz to 22 MHz
- Maximum data rate: 260 kbps NRZ @ ASK
180 kbps NRZ @ FSK
- Image rejection: > 45 dB (e.g. with SAW front-end filter and at 10.7 MHz IF)
- Maximum input level: -10 dBm at ASK
0 dBm at FSK
- Spurious emission: < -70 dB
- Input frequency acceptance: up to ±100 kHz
- RSSI range: 70 dBm
- FM/FSK deviation range: ±2.5 kHz to ±80 kHz
- Maximum analog modulation frequency: 15 kHz



Small things make a big difference.

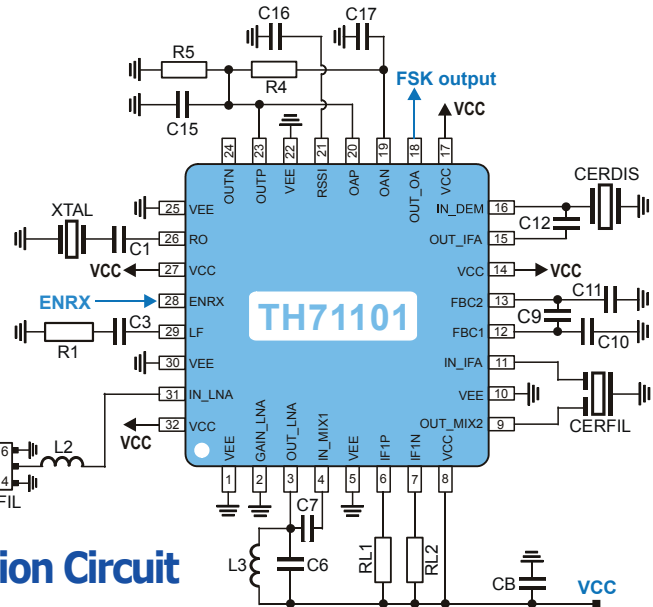
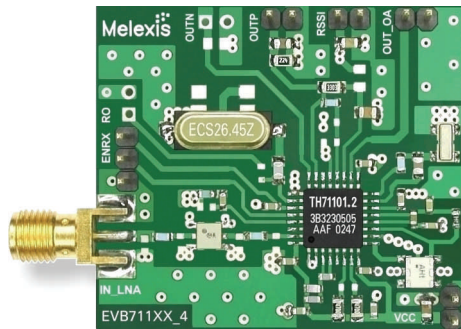
Block Diagram



Applications

- General digital and analog data receiving
- Tire Pressure Monitoring Systems (TPMS)
- Remote Keyless Entry (RKE)
- Wireless access control
- Low-power telemetry systems
- Home and building automation
- Alarm and security systems
- Garage door openers
- Remote controls

Evaluation Board



FSK Application Circuit

Disclaimer:

Devices sold by Melexis are covered by the warranty and patent indemnification provisions appearing in its Term of Sale. Melexis makes no warranty, express, statutory, implied, or by description regarding the information set forth herein or regarding the freedom of the described devices from patent infringement. Melexis reserves the right to change specifications and prices at any time and without notice. Therefore, prior to designing this product into a system, it is necessary to check with Melexis for current information. This product is intended for use in normal commercial applications. Applications requiring extended temperature range, unusual environmental requirements, or high reliability applications, such as military, medical life-support or life-sustaining equipment are specifically not recommended without additional processing by Melexis for each application. The information furnished by Melexis is believed to be correct and accurate. However, Melexis shall not be liable to recipient or any third party for any damages, including but not limited to personal injury, property damage, loss of profits, loss of use, interrupt of business or indirect, special incidental or consequential damages, of any kind, in connection with or arising out of the furnishing, performance or use of the technical data herein. No obligation or liability to recipient or any third party shall arise or flow out of Melexis' rendering of technical or other services. © 2006 Melexis NV. All rights reserved.

Email Europe and rest of the world:
sales_europe@melexis.com

Email USA :
sales_usa@melexis.com

Email Asia:
sales_asia@melexis.com

For additional information go to our website at:

www.melexis.com

Melexis
Microelectronic Integrated Systems