

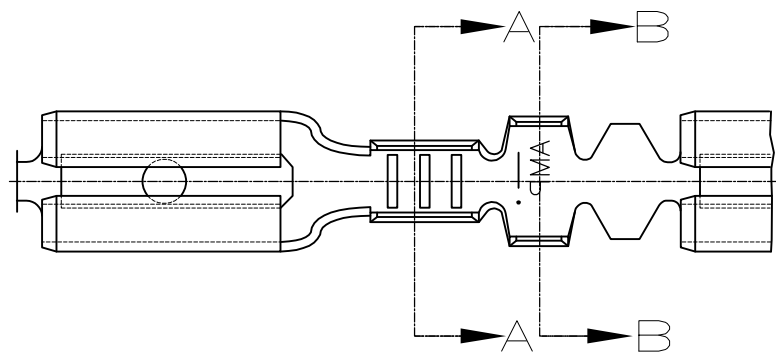
THIS DRAWING IS UNPUBLISHED.

RELEASED FOR PUBLICATION

ALL RIGHTS RESERVED.

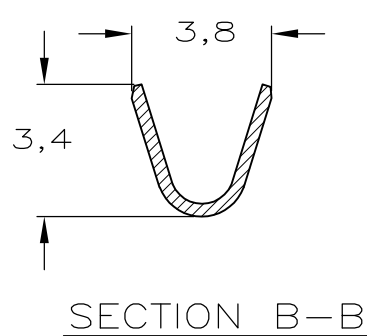
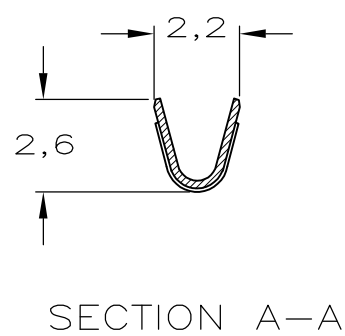
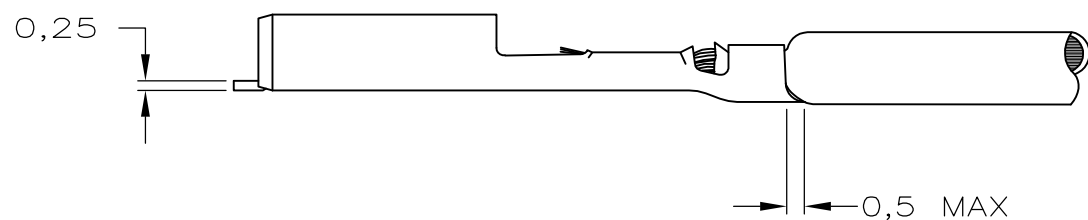
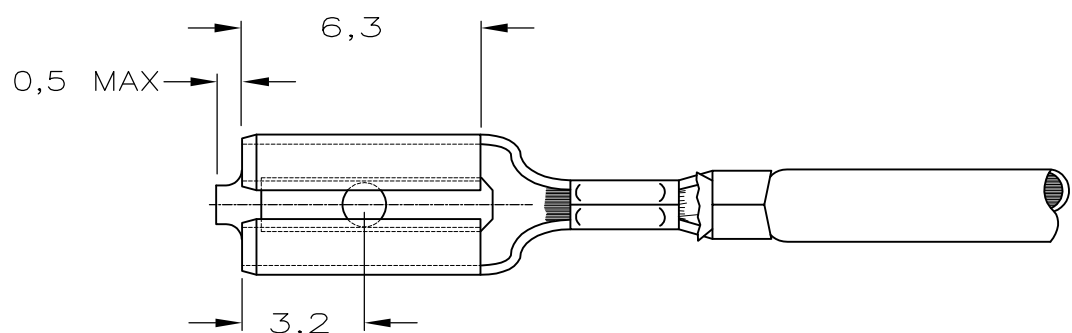
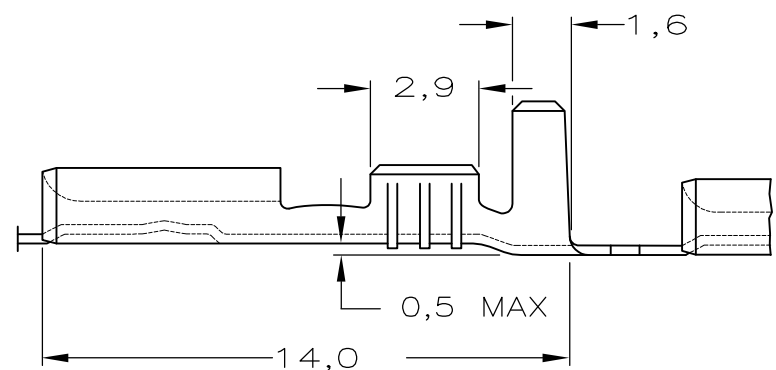
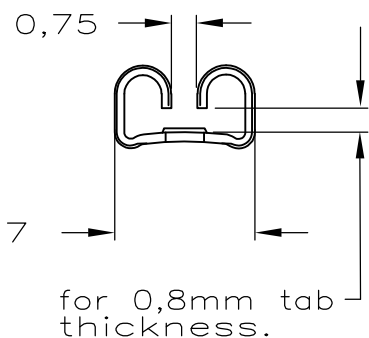
© COPYRIGHT - By -

LOC	DIST	REVISIONS					
		P	LTR	DESCRIPTION	DATE	DWN	APVD
-	-		F2	REVISED PER ECO-11-005140	28MAR11	RK	HMR



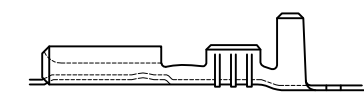
NOTES:

- 1 FOR USE ON MINIATURE APPLICATORS (LEFT-RIGHT FEED) AND STANDARD APPLICATORS (RIGHT-LEFT FEED).
- 2 FOR USE ON MINIATURE APPLICATORS (AMP-O-MATOR APPLICATION) (LEFT-RIGHT FEED).
- 3 REELED WITH PAPERCOVER.
- 4 OBSOLETE PARTS: OBSOLETE CIS STREAMLINING PER D.RENAUD/D.SINISI



WIRE RANGE :
0,5-1,0 mm²
INSULATION RANGE :
2,0-3,0mm DIA.

DIRECTION OFF TOP OF REEL

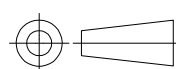


Terminal "U" up.

NOTES	FINISH	MATERIAL	PARTNUMBER
4 OBSOLETE	3 1 UNPLATED	PH.BRONZE	1-160534-1
	3 1 UNPLATED	BRASS	1-160534-0
	1 PRE-TINPLATED	PH.BRONZE	160534-9
	2 1 UNPLATED	PH.BRONZE	160534-8
	2 1 TINPLATED	BRASS	160534-7
	2 1 UNPLATED	BRASS	160534-6
	1 PRE-TINPLATED	BRASS	160534-5
	1 UNPLATED	PH.BRONZE	160534-4
	1 SILVERPLATED	BRASS	160534-3
	1 TINPLATED	BRASS	160534-2
1 UNPLATED	BRASS	160534-1	

THIS DRAWING IS A CONTROLLED DOCUMENT.

DIMENSIONS: mm



MATERIAL

TOLERANCES UNLESS OTHERWISE SPECIFIED:

0 PLC	± -
1 PLC	± -
2 PLC	± -
3 PLC	± -
4 PLC	± -
ANGLES	± -
FINISH	-

DWN 08-04-92

J.V.D.HEIJDEN.

CHK

A.BIJNEN.

APVD

L.V.SOEST.

PRODUCT SPEC

APPLICATION SPEC

WEIGHT



.110 SRS FASTON RECEPTACLE.

SIZE	CAGE CODE	DRAWING NO	RESTRICTED TO
A3	00779	C-160534	-

CUSTOMER DRAWING SCALE - SHEET 1 OF 1 REV F2