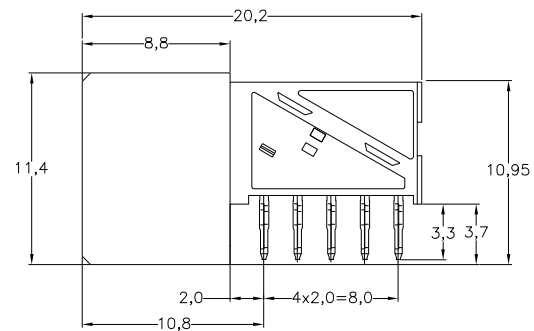
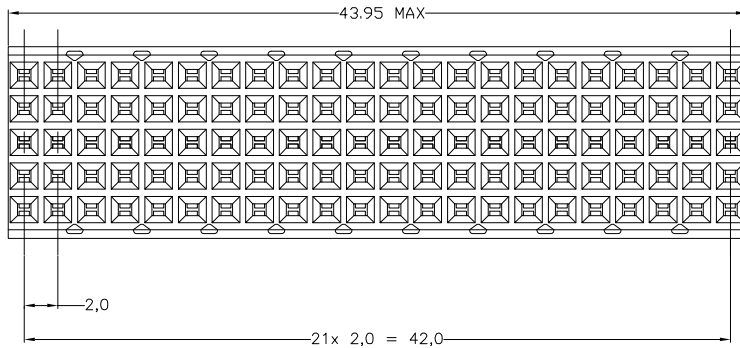
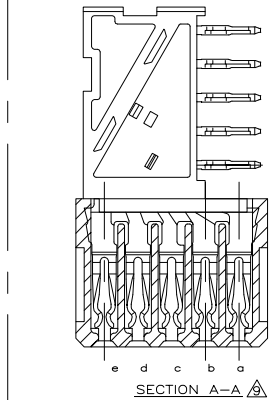
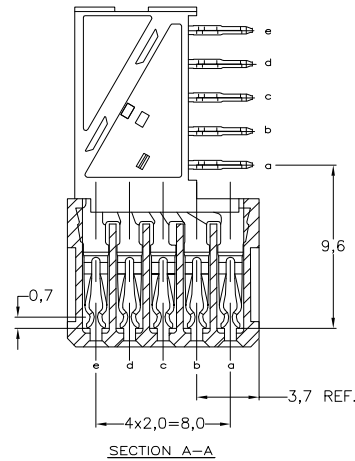
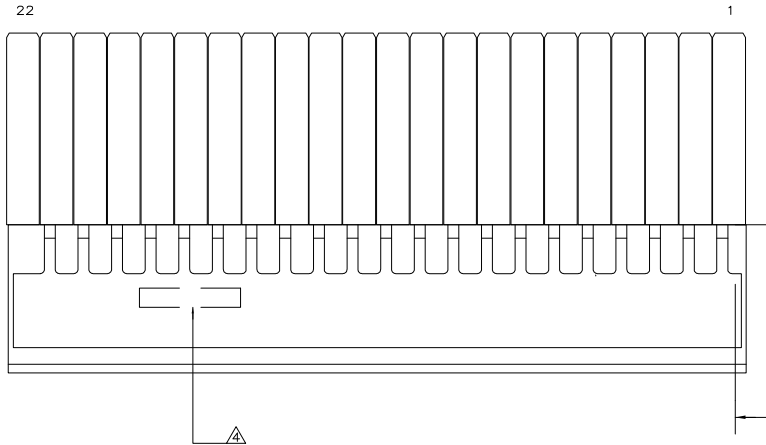
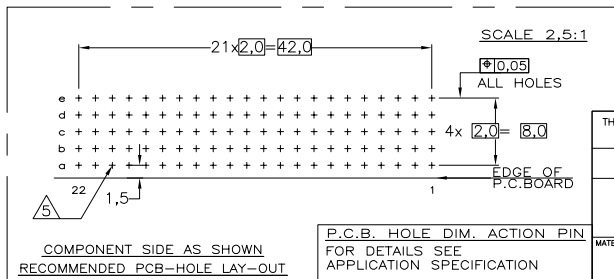


THIS DRAWING IS UNPUBLISHED. RELEASED FOR PUBLICATION. ALL RIGHTS RESERVED.

LOC	DIST	REVISIONS					
ES	00	#	LR	DESCRIPTION	DATE	DWN	APVD
		A		INITIAL RELEASE	14AUG2012	SY	AC



- NOTES:
- ⚠ MATERIAL CONTACT; PHOSPHORBRONZE
MATERIAL HOUSING; GLASSFILLED POLYESTER (GRAY)
UL-RATING 94V0.
 - ⚠ GENERAL PLATING SPECIFICATION: UNDERPLATING (ENTIRE CONTACT):
1,27µm NICKEL MIN. AND ACTION PIN: 0,5µm TIN-LEAD MIN.
FOR PLATING OF MATING SURFACES SEE APPLICABLE SPECIFICATION
REFERENCE FOR EACH DASH NUMBER.
 - ⚠ CONFORMS TO ALL TESTING ACCORDING IEC 61076-4-101
PERFORMANCE LEVEL 1.
 - ⚠ CONNECTOR PRINTED WITH PARTNUMBER AND DATECODE
 - ⚠ PLATED-THROUGH HOLES AT 2x2mm SQUARE GRID. 110 HOLES
 - 6 FITS WITH INTEGRATED GROUND RETURN UPPERSHIELD
BASIC P.N. 352151
 - ⚠ CONNECTOR TESTED AND QUALIFIED AGAINST TELCORDIA
GR-1217-CORE QUALITY LEVEL III, CENTRAL OFFICE APPLICATIONS.
1,27µm MIN GOLD PLATING AT MATING SURFACES, NO LUBRICANT.
 - ⚠ CONNECTOR ASSEMBLED WITH ALTERNATE FEMALE CONTACTS.



THIS DRAWING IS A CONTROLLED DOCUMENT.		FINISH		MATERIAL		PARTNUMBER	
DWN SANDERS YAN 28MAY2012		TE Connectivity		2170350-5			
APVD ALEX CAI 28MAY2012		Z-PACK 2MM HM		110 POS. FEMALE DAUGHTER CARD CONN.		(22 COLUMNS)	
PRODUCT SPEC 108-19082		SIZE		CAGE CODE		DRAWING NO	
APPLICATION SPEC 114-19029		A2		00779		C=2170350	
WEIGHT		SCALE		SHEET		REV	
CUSTOMER DRAWING		NTS		1 of 1		A	