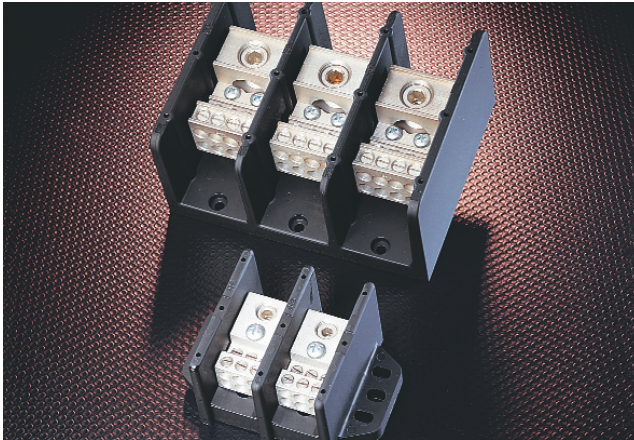


POWR-BLOKS™ Distribution/Splicer Blocks and Covers



POWR-BLOKS™ power distribution and splicer blocks offer a safe, convenient way of splicing cables, providing a fixed junction tap-off point, or splitting primary power into secondary circuits. Blocks have one or two primary inputs, with up to twelve secondary outputs per pole. The number of poles available ranges from one to four.

APPLICATIONS

Typical applications include heating, air conditioning and refrigeration systems, elevator systems, material handling equipment, control panels, motor controls, switchgear, and anywhere power needs to be distributed to more than one load.

CONNECTORS

Box lug connectors are designed for use with a single, solid or class B or C stranded conductor. Use of more than one conductor per connector opening or use of extra-flexible, fine stranded conductors, such as welding cable, voids the UL Listing, and may cause overheating. Manufacturers of cable terminations can furnish crimp-on sleeves for fine stranded conductors which permit these conductors to be used with box lugs.

SPECIFICATIONS

Voltage Rating: 600V

Amperage: Based on NEC Table 310-16, using 75°C copper wire

Material: Phenolic rated at 150°C and Thermoplastic rated at 125°C (LD1400 and LS1300 series only)

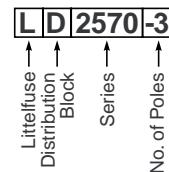
Connector: Standard: Highly conductive aluminum, tin plated
Copper: Highly conductive copper, tin plated

Flammability Rating: 94V-0

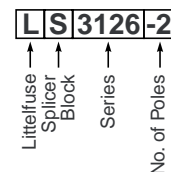
Approvals: UL Recognized (File No. E171395)
CSA Certified (File No. LR700111)

ORDERING INFORMATION

Distribution Block
Example Part No.



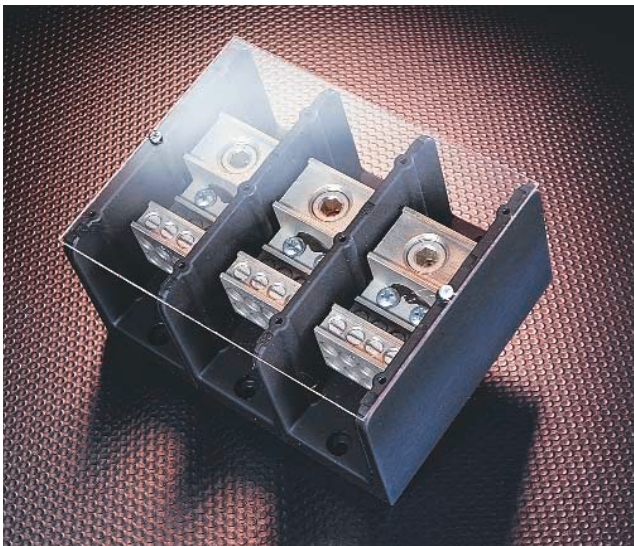
Splicer Block
Example Part No.



AMPERE RATINGS

The ampere rating per pole for power distribution blocks is based on the line ampacity of 75° C insulated conductors per NEC Table 310-16. If 60° C insulated conductors are used, load must not exceed the ampacity of 60° C conductors. Use of conductors rated in excess of 75° C is permitted (for example 90° C), however, load must not exceed the ampacity of 75° C conductors.

Distribution Block Covers



Power Distribution Block Covers provide protection against accidental shorting between poles caused by loose wires, tools or other conductive material. They also protect personnel from accidentally contacting energized connectors.

SPECIFICATIONS

Material: 0.06" clear plexiglas™.

FEATURES

Two thread-cutting screws are furnished for each cover.

Covers are slotted for easy installation.

Covers available for all Power Distribution Blocks... see below.

Power Distribution/Splicer Block Cover Selection Guide & Dimensions

Littelfuse Part Number	For use with Power Distribution Block No.
LPBC0-2	LX0XXX-2
LPBC0-3	LX0XXX-3
LPBC2-1	LX2XXX-1
LPBC2-2	LX2XXX-2
LPBC2-3	LX2XXX-3
LPBC3-1	LX3XXX-1
LPBC3-2	LX3XXX-2
LPBC3-3	LX3XXX-3
LPBC4-1	LX4XXX-1
LPBC4-2	LX4XXX-2
LPBC4-3	LX4XXX-3
LPBC5-1	LX5XXX-1
LPBC5-2	LX5XXX-2
LPBC5-3	LX5XXX-3

Blocks
And
Holders

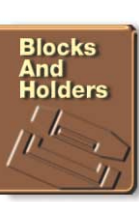


POWR-BLOKS™ Distribution/Splicer Blocks and Covers



Distribution Block Selection Guide

Mat'l	Connector Configuration		Amp Rating per Pole	Number of Poles	Line		Load		Littelfuse Catalog Number	Littelfuse System Number	
	Line	Load			Wire Range	Openings per Pole	Wire Range	Openings per Pole			
AL			115	1	#2 - #14	1	#10 - #18	4	LD1400-1	OLD14001Z	NEW
			115	2	#2 - #14	1	#10 - #18	4	LD1400-2	OLD14002Z	NEW
			115	3	#2 - #14	1	#10 - #18	4	LD1400-3	OLD14003Z	NEW
			115	4	#2 - #14	1	#10 - #18	4	LD1400-4	OLD14004Z	NEW
AL			175	2	2/0 - #14	1	#4 - #14	6	LD0401-2	OLD04012Z	
			175	3	2/0 - #14	1	#4 - #14	6	LD0401-3	OLD04013Z	
AL			175	2	2/0 - #14	1	#4 - #14	4	LD0402-2	OLD04022Z	NEW
			175	3	2/0 - #14	1	#4 - #14	4	LD0402-3	OLD04023Z	NEW
AL			310	2	350mcm - #6	1	#4 - #14	6	LD0404-2	OLD04042Z	NEW
			310	3	350mcm - #6	1	#4 - #14	6	LD0404-3	OLD04043Z	NEW
AL			175	1	2/0 - #14	1	#4 - #14	4	LD2570-1	OLD25701Z	
			175	2	2/0 - #14	1	#4 - #14	4	LD2570-2	OLD25702Z	
			175	3	2/0 - #14	1	#4 - #14	4	LD2570-3	OLD25703Z	
CU			175	1	2/0 - #14	1	#4 - #14	4	LD2970-1	OLD29701Z	NEW
			175	2	2/0 - #14	1	#4 - #14	4	LD2970-2	OLD29702Z	NEW
			175	3	2/0 - #14	1	#4 - #14	4	LD2970-3	OLD29703Z	NEW
AL			335	1	400mcm - #6	1	#2 - #14	4	LD3552-1	OLD35521Z	
			335	2	400mcm - #6	1	#2 - #14	4	LD3552-2	OLD35522Z	
			335	3	400mcm - #6	1	#2 - #14	4	LD3552-3	OLD29703Z	
AL			335	1	400mcm - #6	1	#2 - #14	6	LD3553-1	OLD35531Z	
			335	2	400mcm - #6	1	#2 - #14	6	LD3553-2	OLD35532Z	
			335	3	400mcm - #6	1	#2 - #14	6	LD3553-3	OLD29733Z	
AL			350	1	2/0 - #14	2	#4 - #14	6	LD3555-1	OLD35551Z	
			350	2	2/0 - #14	2	#4 - #14	6	LD3555-2	OLD35552Z	
			350	3	2/0 - #14	2	#4 - #14	6	LD3555-3	OLD35553Z	
CU			380	1	500mcm - #4	1	#2 - #14	6	LD3953-1	OLD39531Z	NEW
			380	2	500mcm - #4	1	#2 - #14	6	LD3953-2	OLD39532Z	NEW
			380	3	500mcm - #4	1	#2 - #14	6	LD3953-3	OLD39533Z	NEW
CU			350	1	2/0 - #14	2	#4 - #14	6	LD3955-1	OLD39551Z	NEW
			350	2	2/0 - #14	2	#4 - #14	6	LD3955-2	OLD39552Z	NEW
			350	3	2/0 - #14	2	#4 - #14	6	LD3955-3	OLD39553Z	NEW
AL			380	1	500mcm - #4	1	#2 - #14	6	LD4551-1	OLD45511Z	NEW
			380	2	500mcm - #4	1	#2 - #14	6	LD4551-2	OLD45512Z	NEW
			380	3	500mcm - #4	1	#2 - #14	6	LD4551-3	OLD45513Z	NEW
AL			335	1	400mcm - #6	1	#2 - #14	8	LD4560-1	OLD45601Z	
			335	2	400mcm - #6	1	#2 - #14	8	LD4560-2	OLD45602Z	
			335	3	400mcm - #6	1	#2 - #14	8	LD4560-3	OLD45603Z	
AL			380	1	500mcm - #4	1	#2 - #14	12	LD5552-1	OLD55521Z	
			380	2	500mcm - #4	1	#2 - #14	12	LD5552-2	OLD55522Z	
			380	3	500mcm - #4	1	#2 - #14	12	LD5552-3	OLD55523Z	
AL			380	1	500mcm - #4	1	2/0 - #14	6	LD5579-1	OLD55791Z	NEW
			380	2	500mcm - #4	1	2/0 - #14	6	LD5579-2	OLD55792Z	NEW
			380	3	500mcm - #4	1	2/0 - #14	6	LD5579-3	OLD55793Z	NEW
AL			760	1	500mcm - #4	2	2/0 - #14	8	LD5586-1	OLD55861Z	
			760	2	500mcm - #4	2	2/0 - #14	8	LD5586-2	OLD55862Z	
			760	3	500mcm - #4	2	2/0 - #14	8	LD5586-3	OLD55863Z	
AL			665	1	500mcm - #4 350mcm - #6	1	2/0 - #14	4	LD5587-1	OLD55871Z	NEW
			665	2	500mcm - #4 350mcm - #6	1	2/0 - #14	4	LD5587-2	OLD55872Z	NEW
			665	3	500mcm - #4 350mcm - #6	1	2/0 - #14	4	LD5587-3	OLD55873Z	NEW



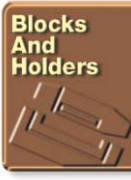
POWR-BLOKS™ Distribution/Splicer Blocks and Covers

Distribution Block Selection Guide

Connector Configuration			Amp Rating per Pole	Number of Poles	Line		Load		Littelfuse Catalog Number	Littelfuse System Number
Mat'l	Line	Load			Wire Range	Openings per Pole	Wire Range	Openings per Pole		
AL			760	1	500mcm-#4	2	#4 - #14	12	LD5592-1	OLD55921Z
			760	2	500mcm-#4	2	#4 - #14	12	LD5592-2	OLD55922Z
			760	3	500mcm-#4	2	#4 - #14	12	LD5592-3	OLD55923Z
AL			380	1	500mcm-#4	1	#2 - #14	8	LD5594-1	OLD55941Z
			380	2	500mcm-#4	1	#2 - #14	8	LD5594-2	OLD55942Z
			380	3	500mcm-#4	1	#2 - #14	8	LD5594-3	OLD55943Z
CU			760	1	500mcm-#4	2	2/0 - #14	8	LD5986-1	OLD59861Z
			760	2	500mcm-#4	2	2/0 - #14	8	LD5986-2	OLD59862Z
			760	3	500mcm-#4	2	2/0 - #14	8	LD5986-3	OLD59863Z
CU			760	1	500mcm-#4	2	#2 - #14	12	LD5992-1	OLD59921Z
			760	2	500mcm-#4	2	#2 - #14	12	LD5992-2	OLD59922Z
			760	3	500mcm-#4	2	#2 - #14	12	LD5992-3	OLD59923Z

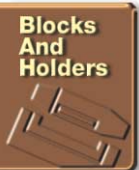
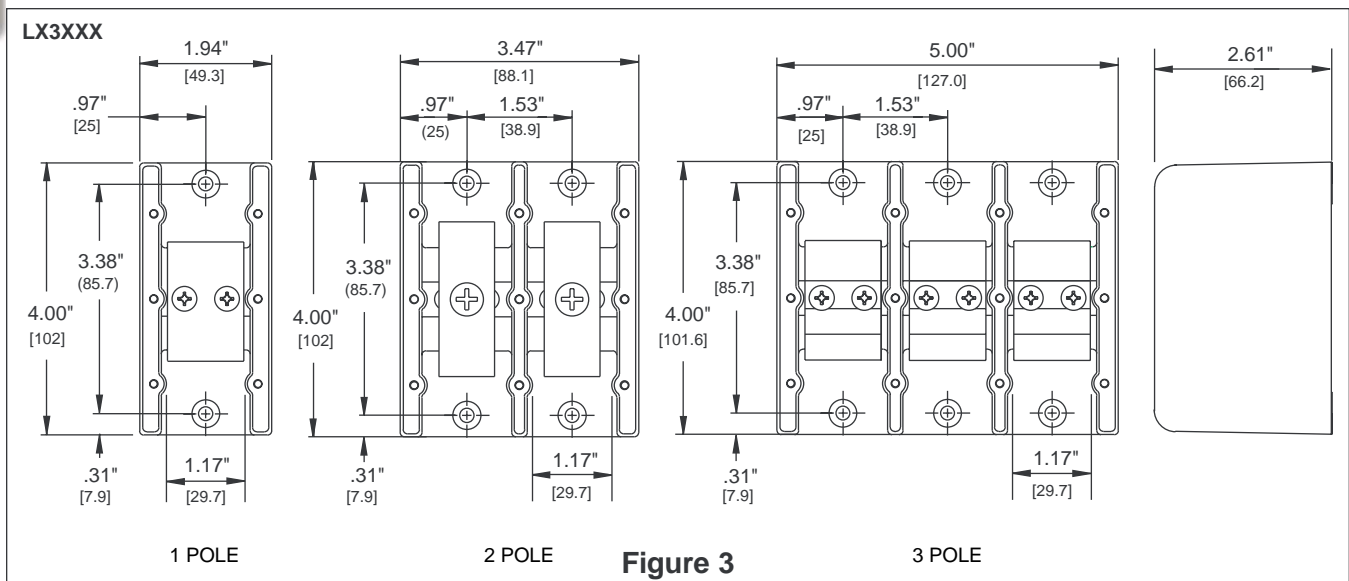
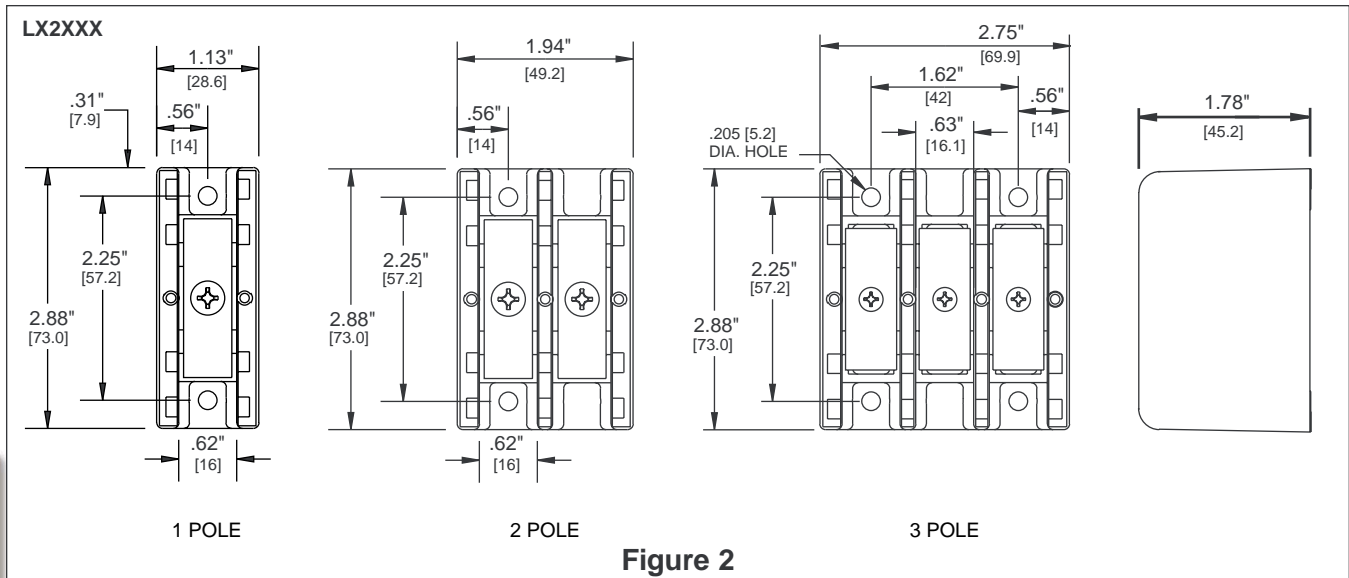
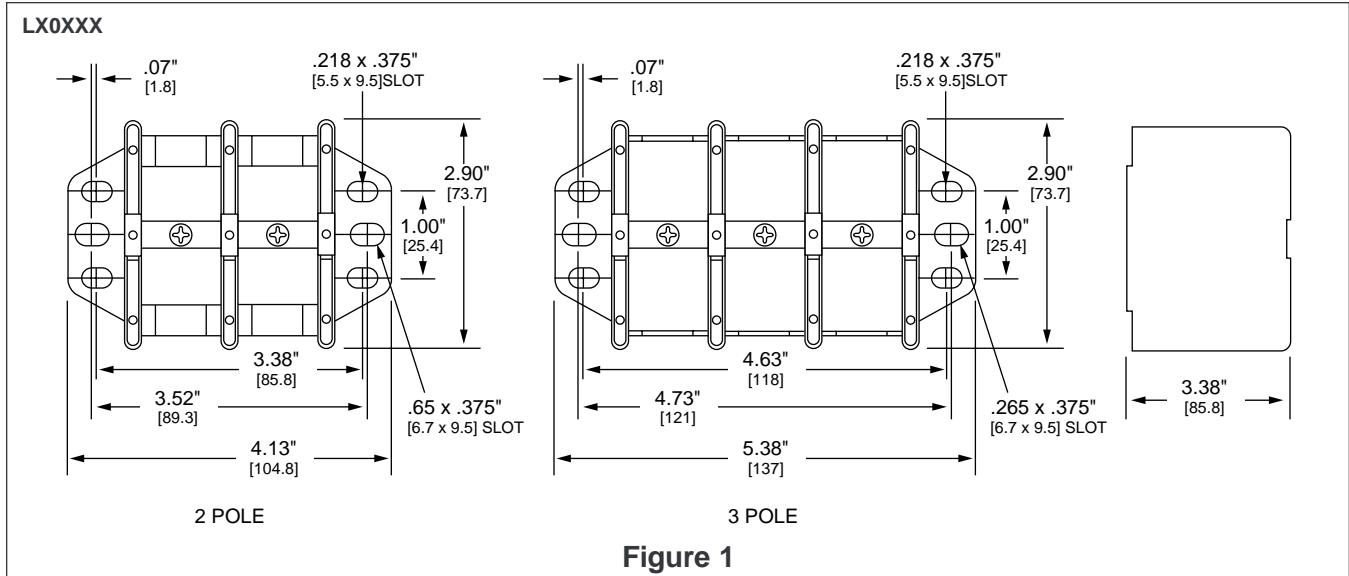
Splicer Block Selection Guide

Connector Configuration			Amp Rating per Pole	Number of Poles	Line		Load		Littelfuse Catalog Number	Littelfuse System Number
Mat'l	Line	Load			Wire Range	Openings per Pole	Wire Range	Openings per Pole		
AL			310	2	350mcm-#6	1	350mcm-#6	1	LS0303-2	OLS03032Z
			310	3	350mcm-#6	1	350mcm-#6	1	LS0303-3	OLS03033Z
AL			115	1	#2 - #14	1	#2 - #14	1	LS1300-1	OLS13001Z
			115	2	#2 - #14	1	#2 - #14	1	LS1300-2	OLS13002Z
			115	3	#2 - #14	1	#2 - #14	1	LS1300-3	OLS13003Z
			115	4	#2 - #14	1	#2 - #14	1	LS1300-4	OLS13004Z
CU			150	1	1/0 - #18	1	1/0 - #18	1	LS2121-1	OLS21211Z
			150	2	1/0 - #18	1	1/0 - #18	1	LS2121-2	OLS21212Z
			150	3	1/0 - #18	1	1/0 - #18	1	LS2121-3	OLS21213Z
AL			115	1	#2 - #14	1	#2 - #14	1	LS2552-1	OLS25521Z
			115	2	#2 - #14	1	#2 - #14	1	LS2552-2	OLS25522Z
			115	3	#2 - #14	1	#2 - #14	1	LS2552-3	OLS25523Z
AL			175	1	2/0 - #14	1	2/0 - #14	1	LS2572-1	OLS25721Z
			175	2	2/0 - #14	1	2/0 - #14	1	LS2572-2	OLS25722Z
			175	3	2/0 - #14	1	2/0 - #14	1	LS2572-3	OLS25723Z
AL			255	1	250mcm-#6	1	250mcm-#6	1	LS3123-1	OLS31231Z
			255	2	250mcm-#6	1	250mcm-#6	1	LS3123-2	OLS31232Z
			255	3	250mcm-#6	1	250mcm-#6	1	LS3123-3	OLS31233Z
CU			255	1	250mcm-#6	1	250mcm-#6	1	LS3124-1	OLS31241Z
			255	2	250mcm-#6	1	250mcm-#6	1	LS3124-2	OLS31242Z
			255	3	250mcm-#6	1	250mcm-#6	1	LS3124-3	OLS31243Z
AL			310	1	350mcm-#6	1	350mcm-#6	1	LS3126-1	OLS31261Z
			310	2	350mcm-#6	1	350mcm-#6	1	LS3126-2	OLS31262Z
			310	3	350mcm-#6	1	350mcm-#6	1	LS3126-3	OLS31263Z
AL			420	1	600mcm-#4	1	600mcm-#4	1	LS4557-1	OLS45571Z
			420	2	600mcm-#4	1	600mcm-#4	1	LS4557-2	OLS45572Z
			420	3	600mcm-#4	1	600mcm-#4	1	LS4557-3	OLS45573Z
AL			620	1	350mcm-#4	2	350mcm-#4	2	LS5129-1	OLS51291Z
			620	2	350mcm-#4	2	350mcm-#4	2	LS5129-2	OLS51292Z
			620	3	350mcm-#4	2	350mcm-#4	2	LS5129-3	OLS51293Z
AL			760	1	500mcm-#4	2	500mcm-#4	2	LS5301-1	OLS53011Z
			760	2	500mcm-#4	2	500mcm-#4	2	LS5301-2	OLS53012Z
			760	3	500mcm-#4	2	500mcm-#4	2	LS5301-3	OLS53013Z



Blocks And Holders

POWR-BLOKS™ Distribution/Splicer Blocks and Covers



POWR-BLOKS™ Distribution/Splicer Blocks and Covers

