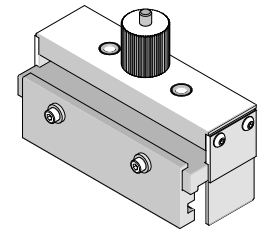


**10GBE
2-by-8 Magnetic Jack
Removal Tool**



**Application Tooling
Specification Sheet**



Order No. 62203-0550

FEATURES

- Manual tool used to remove the ICM connector assembly from a PCB
- A secondary tool is used to pull off the connector from the board.
- Use tool 62202-4430 to insert connectors

SCOPE

Products: 10GBE 2 by 8 Magnetic Jack assemblies with Press-fit Tails, Series 170722.

Connector Series No	Connector Order no.				
170722 (10GBE)	170722-0001	170722-0005	170722-0006	170722-0007	170722-0008
	170722-0010	170722-0011	170722-0012	170722-0014	

Notes:

1. See the following pages for tooling operation instructions.
2. These tools require a "Keep Out Zone" around the connector free of components. The rear of the connector should be 2.0mm (0.08 in). The right and left sides should be 2.0mm (0.08 in). See Figure 1.

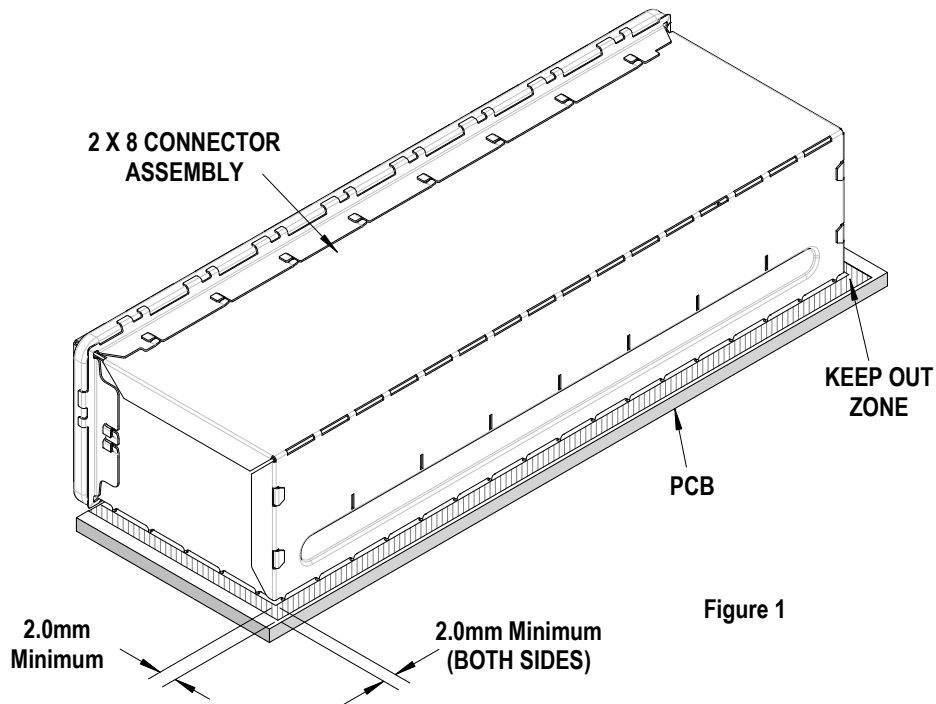


Figure 1

Tool Operation

1. Loosen the upper and lower halves of the tool by turning the knob counterclockwise (CCW) until there is about 10.0mm between the lower half and upper half of the tooling. See Figure 2.
2. Remove the front clamp from the lower tooling by removing the (2) M4 SHCS and washers. See Figure 2.
3. Place the lower tool over the connector assembly, then reattach the front clamp, making sure the tabs go into the connector ports. Re-install the (2) M4 SHCS and washers and close the front clamp on the connector. See Figure 3.

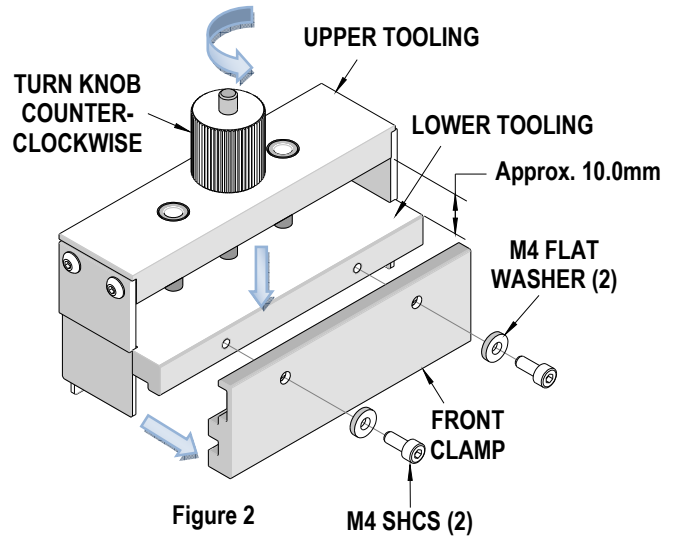


Figure 2

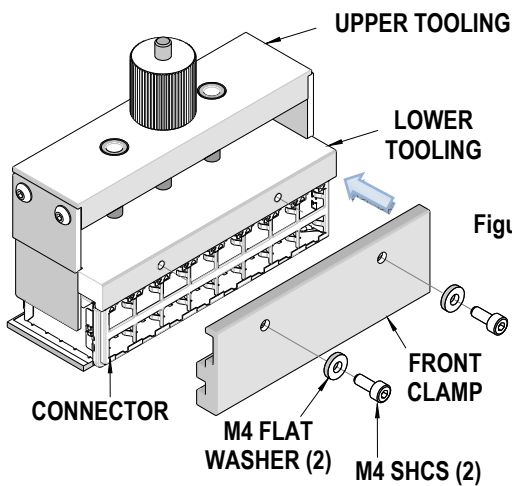
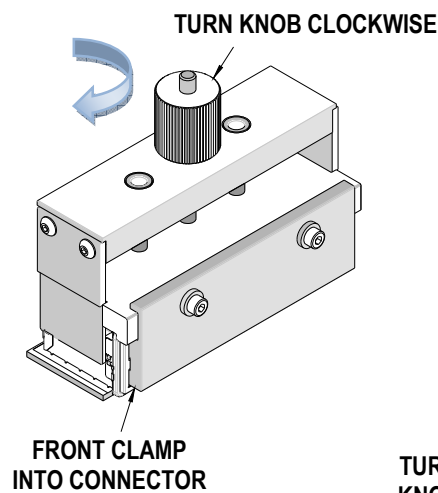


Figure 3



4. Turn the knob clockwise (CW) until the upper tool's side plates contact the PCB. See Figure 4.
5. Turn the knob allowing the extraction tool to begin lifting the connector off the PCB. Only allow the extraction tool to lift a distance so the cage assembly is pulled off the PCB.
6. Remove the extraction tool from the connector by removing the (2) M4 SHCS and washers.
7. Remove the front clamp from the lower tooling.
8. The secondary tool is now required to pull off the entire assembly. See Secondary Tool Operation below.

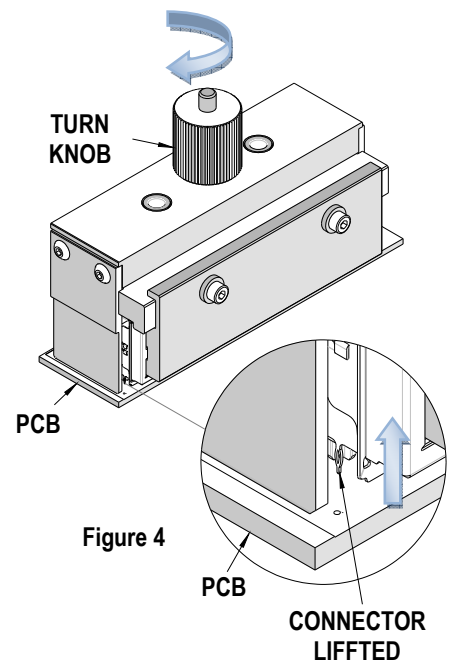


Figure 4

NOTES:

1. If the PCB is thin it will bend while the connector is being removed. Support or clamp the PCB in place if necessary.
2. After the connector is removed from the PCB, some connector pins may remain in the PCB. This is normal and the pins can be removed with common long-nose pliers.

Secondary Tool Operation

This secondary tool (A small lifting pick) is used to pry up the entire assembly off the PCB.
Only After the connector has been partially lifted from the PCB with the 622029730 extractor tool.

This tool can be purchased separately from Molex order no. 62202-4440.

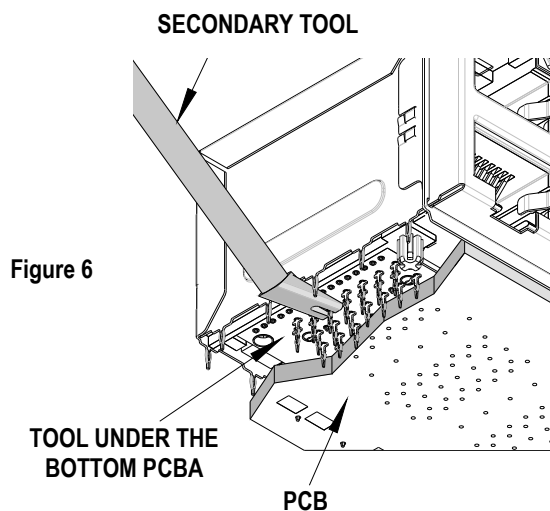
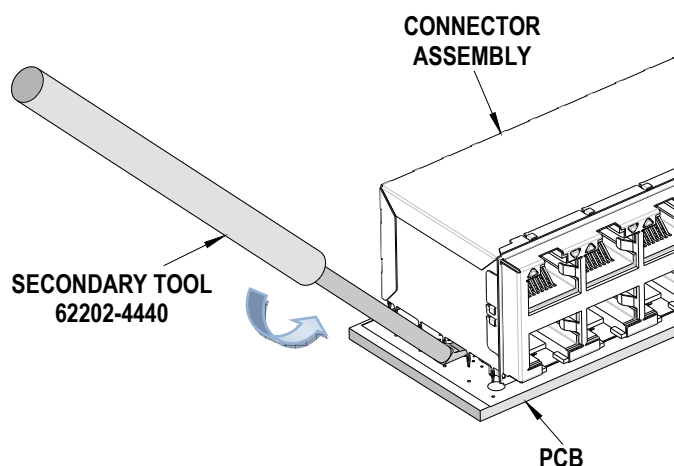
The secondary tool has a thin curved tip so a prying action can be applied to the underside of the Magnetic Jack assembly.

The secondary tool is placed between the connector assembly and the PCBA.

Use this tool around the perimeter of the connector assembly, prying up the connector assembly small increments, (.25-.50mm) until it is free of the PCB. See Figure 6 below.



Use caution when using this tool so as not to damage the PCB or the cage of the assembly. Make sure the tip of the secondary tool is underneath the bottom PCBA and above the PCB. Do not pry up the Magnetic Jack assembly by the cage.



Visit our Web site at <http://www.molex.com>