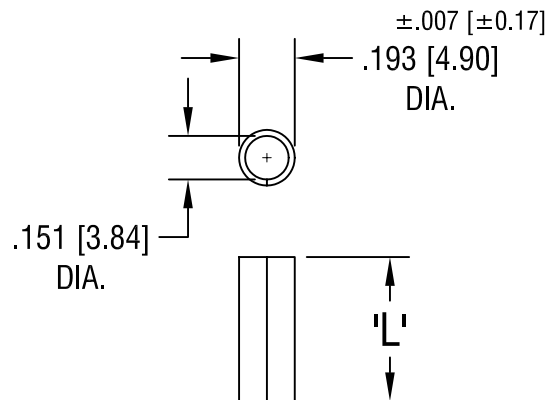


THIS DOCUMENT IS THE PROPERTY OF  
KEYSTONE ELECTRONICS CORP. AND  
SHALL NOT BE REPRODUCED, DISTRIBUTED  
OR USED AS A BASIS FOR MANUFACTURE  
WITHOUT PRIOR WRITTEN PERMISSION  
FROM KEYSTONE ELECTRONICS CORP.



| PART NO. | 'L' DIM.     |
|----------|--------------|
| 405      | .250 [6.35]  |
| 406      | .312 [7.92]  |
| 407      | .375 [9.53]  |
| 408      | .437 [11.10] |
| 409      | .500 [12.70] |
| 410      | .625 [15.88] |

**KEYSTONE ELECTRONICS CORP.**

ASTORIA, N.Y. 11105-2017

PART NAME

ECONOMY SPACER

MATERIAL

ALUMINUM

FINISH

-

DRN BY

BOONE

DATE

10.30.01

APPD

LN

SCALE

1.5X

TOLERANCES

INCH [MM]

DECIMAL ± .005 [± 0.15]

ANGULAR ± 1°

UNLESS OTHERWISE SPECIFIED

CODE

C/M

DWG NO.

405-410

DATE

DESCRIPTION

REV.