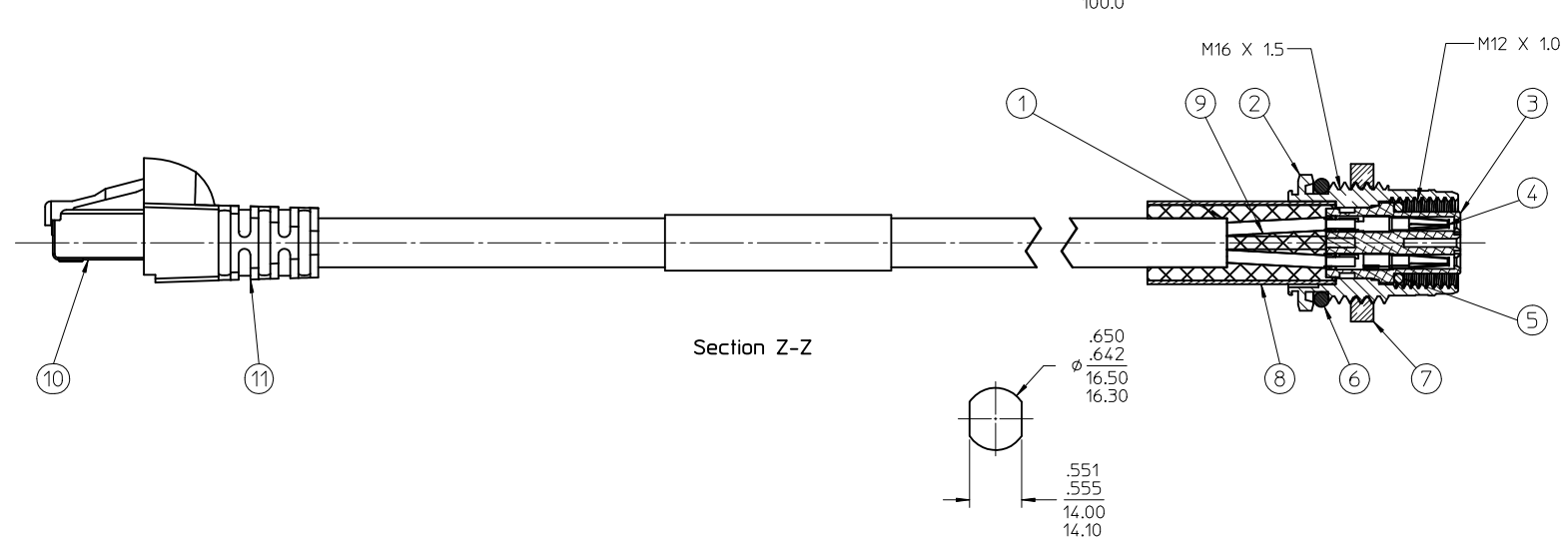
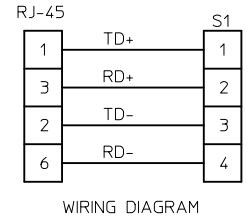
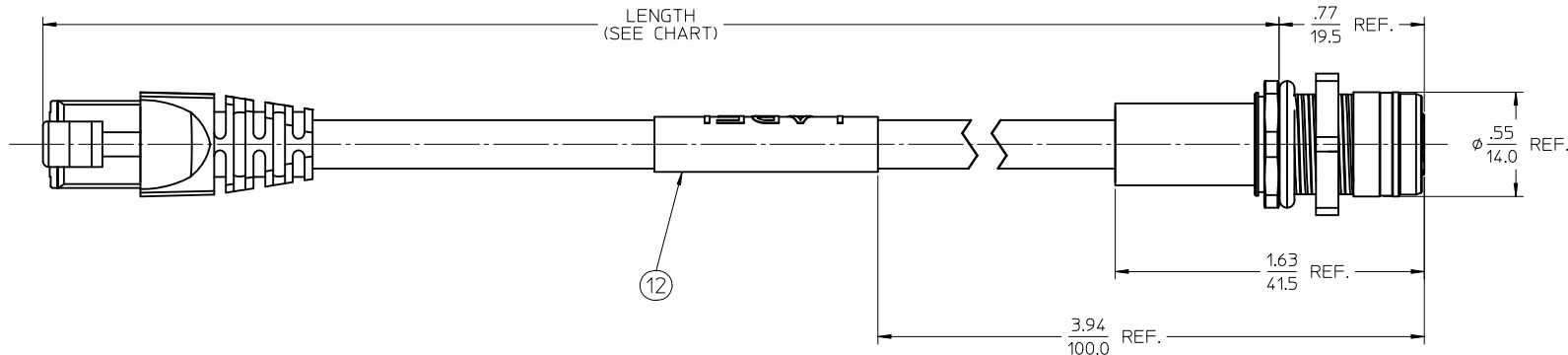
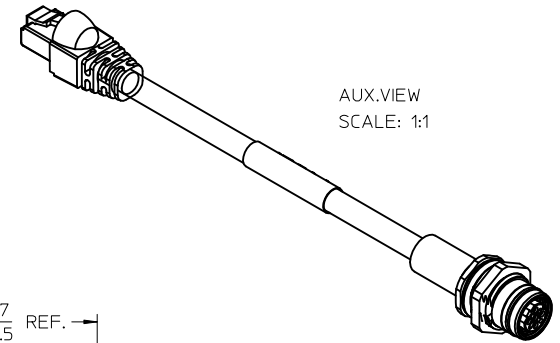


MATERIAL NO.	ENGINEERING NO.	LENGTH
1201090005	ERWPAU7003M006	23.62 +1.75-0 (.6M +44.5mm-0)

- NOTES:
1. MATERIAL: SEE TABLE
 2. FINISHES: SEE TABLE
 3. MATES WITH: ULTRA-LOCK MALE CABLE ASSEMBLY
 4. ELECTRICAL SPECIFICATIONS:
VOLTAGE RATING: 125V
CURRENT RATING: 1.5 AMPS
 5. ASSEMBLY IS RIHAS COMPLIANT



TYPICAL KNOCKOUT (B)

ITEM	QTY.	DESCRIPTION	MATERIAL	FINISH
12	1	WRAP LABEL	PLASTIC FILM	
11	1	RJ-45 SLEEVE	POLYOLEFIN	BLACK
10	1	RJ-45 PLUG	POLYCARB SHELL	
9	1	POTTING MATERIAL	EPOXY	
8	1	SLEEVE	BRASS	NICKEL PLATED
7	1	PANEL NUT, M16 X 15	Cu ALLOY	NICKEL PLATED
6	1	O-RING (PANEL SEAL)	BUNA-N	BLACK
5	1	O-RING (MATING INTERFACE)	VITON	RED
4	4	CONTACT SOCKET	Cu ALLOY	GOLD PLATED
3	1	INSERT	NYLON	BLACK
2	1	RECEPTACLE SHELL	BRASS	NICKEL PLATED
1	1	CABLE	PVC JACKET	

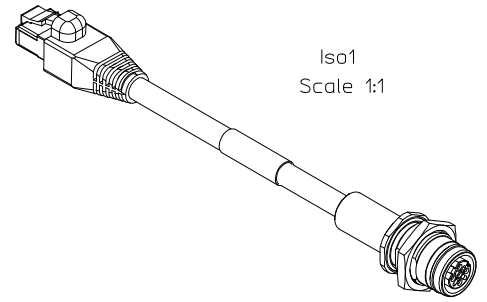
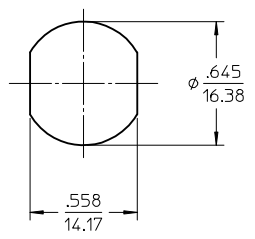
REV D KNOCKOUT DIMS & NOTE 3 EC NO: WNA2010-0509 DRWNR:STONE 2010/02/17 CHKD:J.WOODMAN 2010/04/21 APPR:J.MURPHY 2010/04/21	QUALITY SYMBOLS ▽=0 ▽=0	GENERAL TOLERANCES (UNLESS SPECIFIED) <table border="1"> <tr> <th></th> <th>mm</th> <th>INCH</th> </tr> <tr> <td>4 PLACES</td> <td>± .005</td> <td>± .0005</td> </tr> <tr> <td>3 PLACES</td> <td>± .005</td> <td>± .0005</td> </tr> <tr> <td>2 PLACES</td> <td>± .005</td> <td>± .001</td> </tr> <tr> <td>1 PLACE</td> <td>± 0.3</td> <td>± .012</td> </tr> </table>		mm	INCH	4 PLACES	± .005	± .0005	3 PLACES	± .005	± .0005	2 PLACES	± .005	± .001	1 PLACE	± 0.3	± .012	DIMENSION STYLE IN/MM	SCALE 2:1	DESIGN UNITS INCH	THIRD ANGLE PROJECTION
		mm	INCH																		
	4 PLACES	± .005	± .0005																		
	3 PLACES	± .005	± .0005																		
2 PLACES	± .005	± .001																			
1 PLACE	± 0.3	± .012																			
DRAWN BY R.STONE	DATE 2009/05/14	TITLE ULTRA-LOCK CORD ASSEMBLY FEMALE D-CODE TO RJ-45 MALE PLUG																			
CHECKED BY B.WOODMAN	DATE 2009/05/15	APPROVED BY J.MURPHY																			
DATE 2009/05/19	MATERIAL NO. SEE CHART	DOCUMENT NO. SD-120109-003	SHEET NO. 1 OF 1																		

DRAFT WHERE APPLICABLE MUST REMAIN WITHIN DIMENSIONS

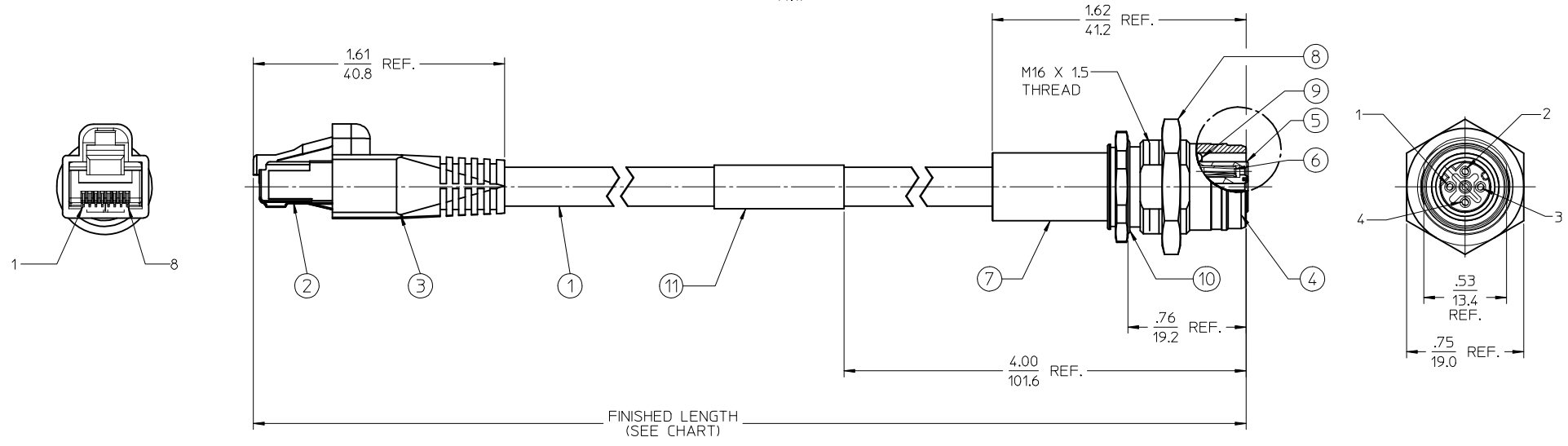
THIS DRAWING CONTAINS INFORMATION THAT IS PROPRIETARY TO MOLEX INCORPORATED AND SHOULD NOT BE USED WITHOUT WRITTEN PERMISSION

MATERIAL NO.	ENGINEERING NO.	FINISHED LENGTH
1300545003	ERWPAU7003M010	3' 3" +2.19/-0 (1M +55.6mm-0)
1201090003	ERWPAU7003M020	6' 7" +3.50/-0 (2M +88.9mm-0)

PANEL CUTOUT

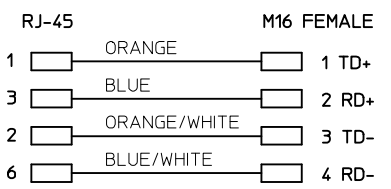


Iso1
Scale 1:1



NOTES:

1. MATERIAL: SEE TABLE
2. FINISHES: SEE TABLE
3. ELECTRICAL SPECIFICATIONS
VOLTAGE RATING: 150V AC/DC
CURRENT RATING: 1.5 AMPS
4. PROTECTION: IP67
5. ASSEMBLY IS RoHS COMPLIANT BY EXEMPTION



WIRE DIAGRAM

ITEM	QTY.	DESCRIPTION	MATERIAL	FINISH
11	1	WRAP LABEL	VINYL	BLACK/YELLOW
10	1	PANEL MOUNT O-RING	NITRIL	BLACK
9	1	MATING O-RING	VITON	RED
8	1	PANEL NUT	BRASS	NICKEL PLATED
7	1	CABLE SLEEVE	BRASS	NICKEL PLATED
6	4	CONTACT SOCKET	Cu ALLOY	GOLD PLATED
5	1	INSERT, FEMALE, 4P	PUR	BLACK
4	1	RECEPTACLE SHELL	BRASS	NICKEL PLATED
3	1	RJ-45 BOOT	POLYOLEFIN	BLACK
2	1	RJ-45 PLUG	POLYCARB/Cu ALLOY	CLEAR/GOLD PLATED
1	A/R	RJ-45 CABLE, 24/4 CAT 5E ETHERNET	PVC JACKET	TEAL

NEW SALES DOC
EC NO: IPG2013-1402
DRAWN BY: DRWINRSTONE 2013/03/12
CHKD BY: JOZWIK 2013/03/15
APPR: JF MURPHY 2013/04/25

QUALITY SYMBOLS	GENERAL TOLERANCES (UNLESS SPECIFIED)	DIMENSION STYLE	SCALE	DESIGN UNITS	THIRD ANGLE PROJECTION
▽=0	4 PLACES ± --- ± ---	IN/MM	2:1	INCH	THIRD ANGLE PROJECTION
▽=0	3 PLACES ± --- ± ---	mm	TITLE		
	2 PLACES ± --- ± .01	INCH	MIC ETHERNET CORDSET		
	1 PLACE ± 0.3 ± ---		M16 FEMALE U-LOCK RECEPT		
	0 PLACE ± --- ± ---		TO RJ-45 PLUG. 24 AWG		
	ANGULAR ± 2 °		molex		
	DRAFT WHERE APPLICABLE MUST REMAIN WITHIN DIMENSIONS		DOCUMENT NO. SD-120109-013		
			SHEET NO. 1 OF 1		
			THIS DRAWING CONTAINS INFORMATION THAT IS PROPRIETARY TO MOLEX INCORPORATED AND SHOULD NOT BE USED WITHOUT WRITTEN PERMISSION		