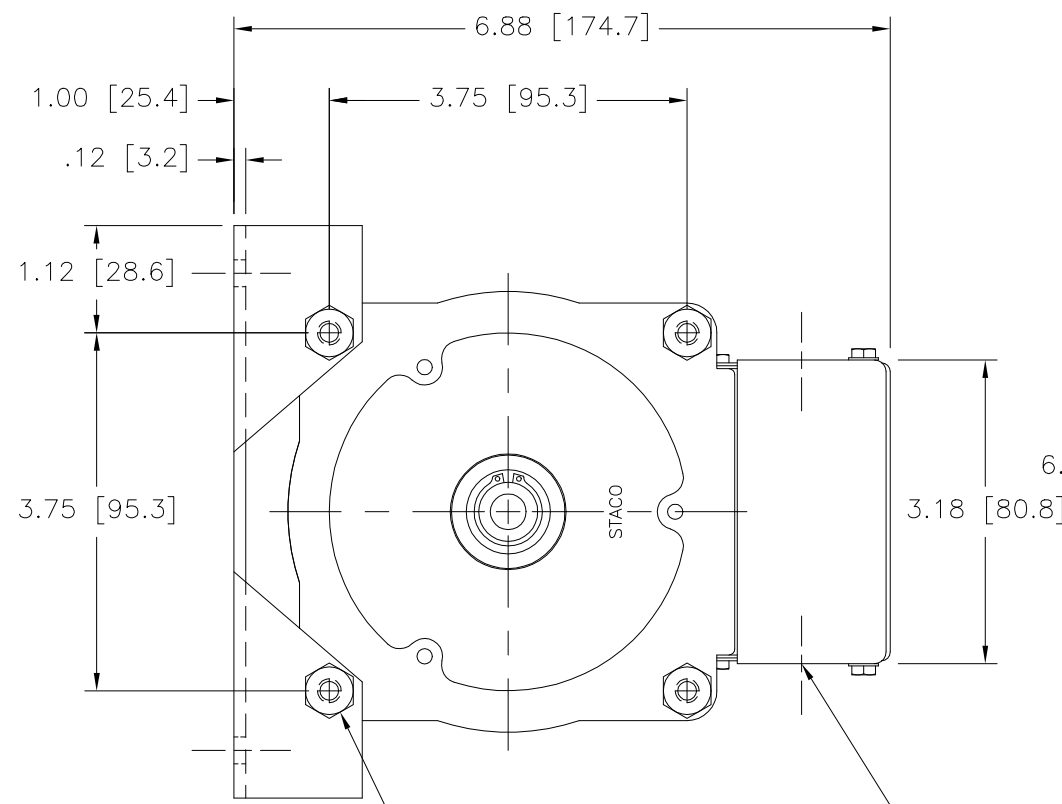
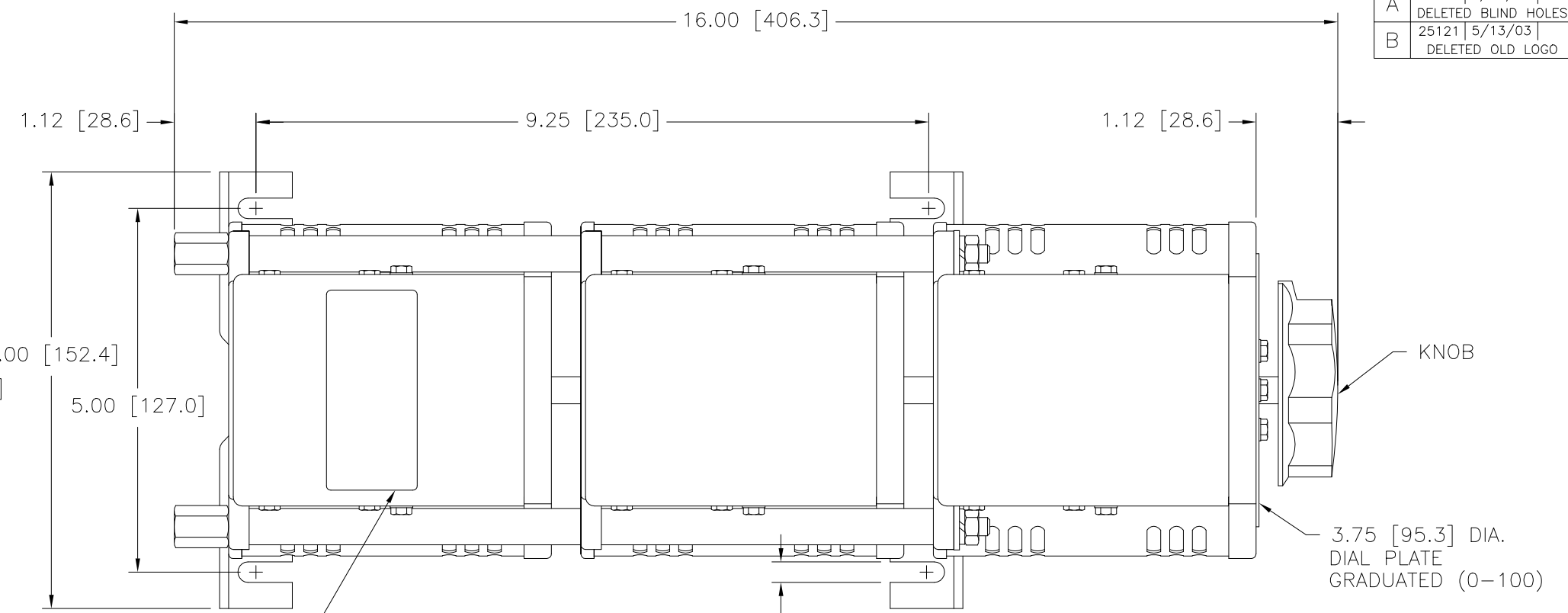


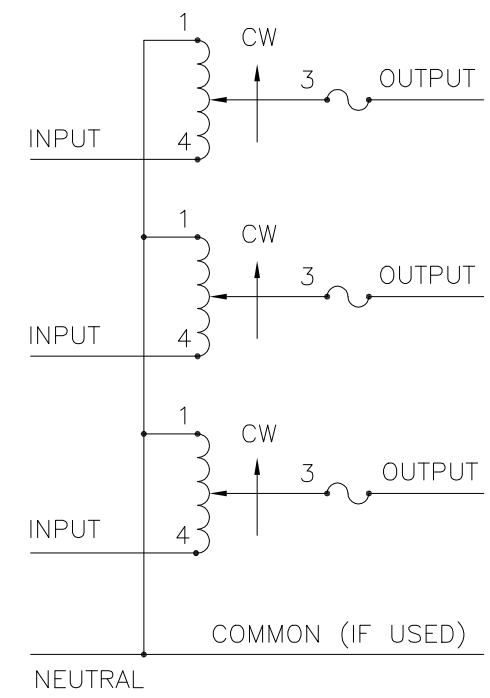
DWG. NO.	031-3328		
REVISIONS			
SYM.	E.C.N.	DATE	APVD.
A	24194	4/25/00	DELETED BLIND HOLES
B	25121	5/13/03	DELETED OLD LOGO



(4) STANDOFFS TAPPED 1/4-28 X .38 [9.5] DEEP FOR MOUNTING BOLTS  
 .88 [22.2] DIA. KNOCKOUT (7) PLACES FOR WIRING CONNECTIONS



NAMEPLATE  
 .28 [7.1]  
 (4) PLACES FOR CUSTOMER MOUNTING



SCHEMATIC  
 FUSE RECOMMENDED BUT NOT SUPPLIED

⌘ IF GANGED UNITS ARE USED IN A SYSTEM THAT ORDINARILY HAS A COMMON NEUTRAL OR GROUND BETWEEN SOURCE AND LOAD, THE NEUTRAL OR GROUND MUST BE CONNECTED TO THE COMMON TERMINALS OF THE VARIABLE TRANSFORMER ASSEMBLY. IF THE SYSTEM HAS NO NEUTRAL, THE LOAD MUST BE BALANCED OR THE TRANSFORMER WILL BE DAMAGED.

■ JUMPER PROVIDED IN STANDARD COMMON POSITION AND SHOULD BE MOVED OR REMOVED AS REQUIRED.

++ LINE TO LINE VOLTAGE.

SPECIFICATIONS											
WIRING	INPUT		OUTPUT				SHAFT ROTATION TO INCREASE VOLTAGE	TERMINAL CONNECTIONS			
	VOLTS	HERTZ	VOLTS	CONSTANT CURRENT LOAD	CONSTANT IMPEDANCE LOAD	FOR INCREASING VOLTAGE AS VIEWED FROM BASE END ■					
				MAX. AMPS	MAX. KVA	MAX. AMPS	MAX. KVA		INPUT	JUMPER	OUTPUT
THREE PHASE WYE ⌘	480	60	0-480	5.0	4.16	7.0	5.82	CW	1-1-1	4-4-4	3-3-3
								CCW	4-4-4	1-1-1	3-3-3

UNLESS OTHERWISE SPECIFIED, TOLERANCE IS ±	DECIMALS	HOLES	ANGLES	DRAFT	UNITS	TITLE:
.XX	.006	.002	1°	1-1/2°	IN [mm]	SPEC. CONTROL DRAWING
----	----	----	----	----	----	VARIABLE TRANSFORMER
MATERIAL:						MODEL: 1220BCT-3
DRAWN BY		DATE	FIRST USED ON	DO NOT SCALE DWG.		
S.A. SMITH		9/26/97		CAGE CODE 83008		
CHECKER	DATE	WEIGHT APPROX.	DWG. NO.			
		34.5 LBS	D 031-3328			
ENGINEER	DATE	SCALE	SHEET 1 OF 1			
		1=1				

