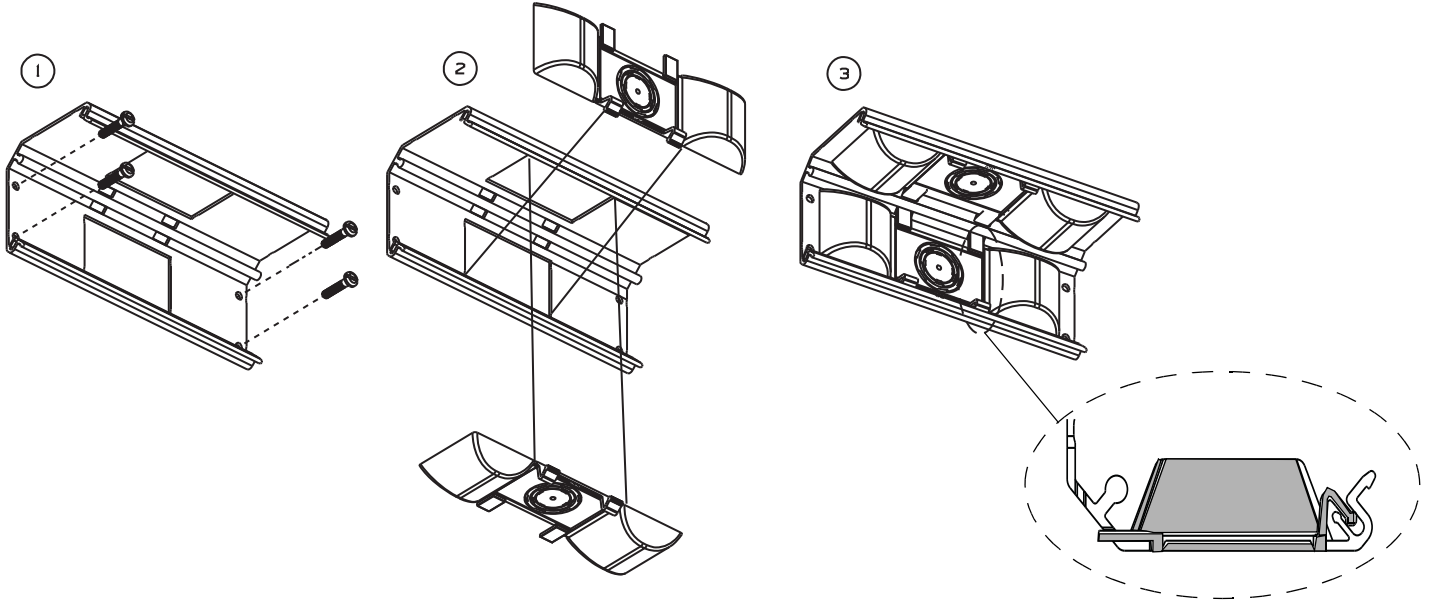
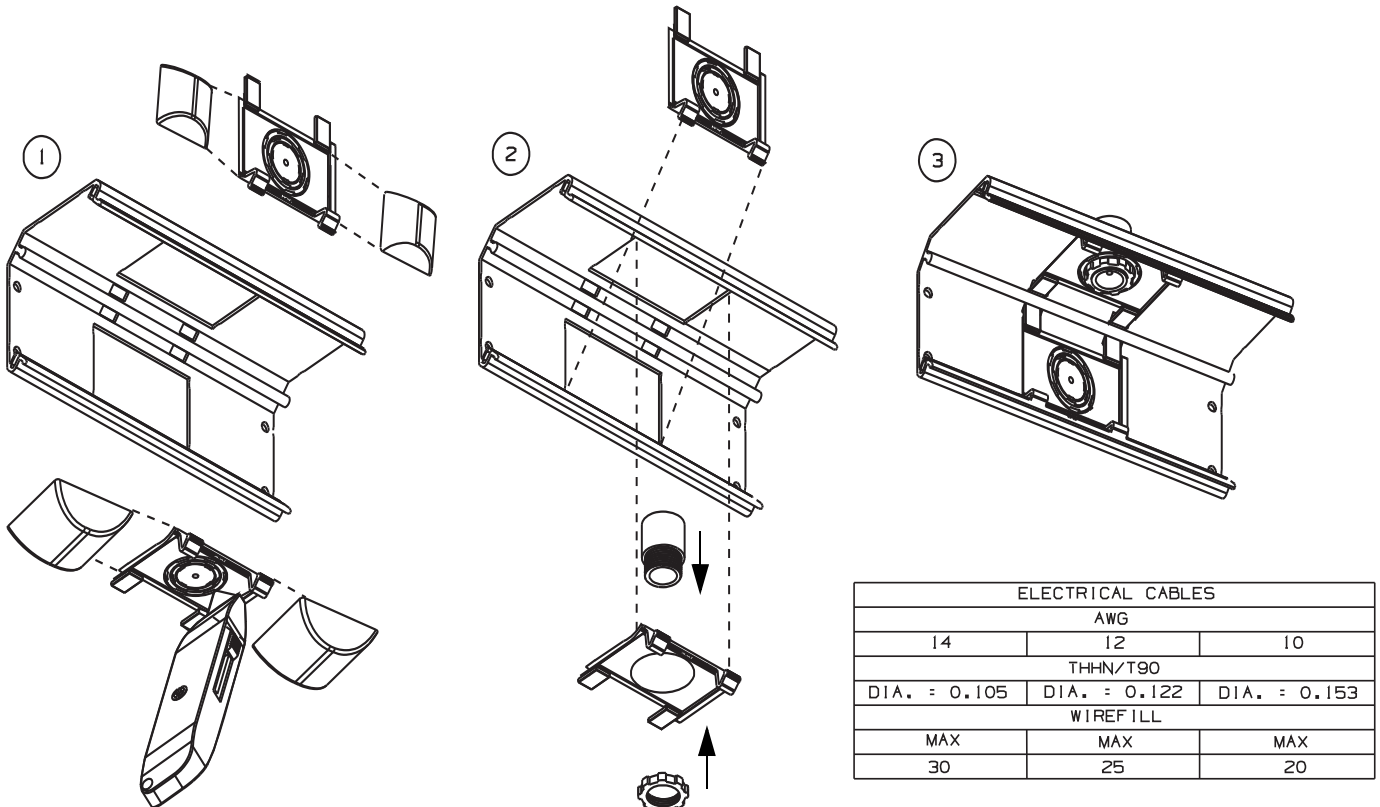


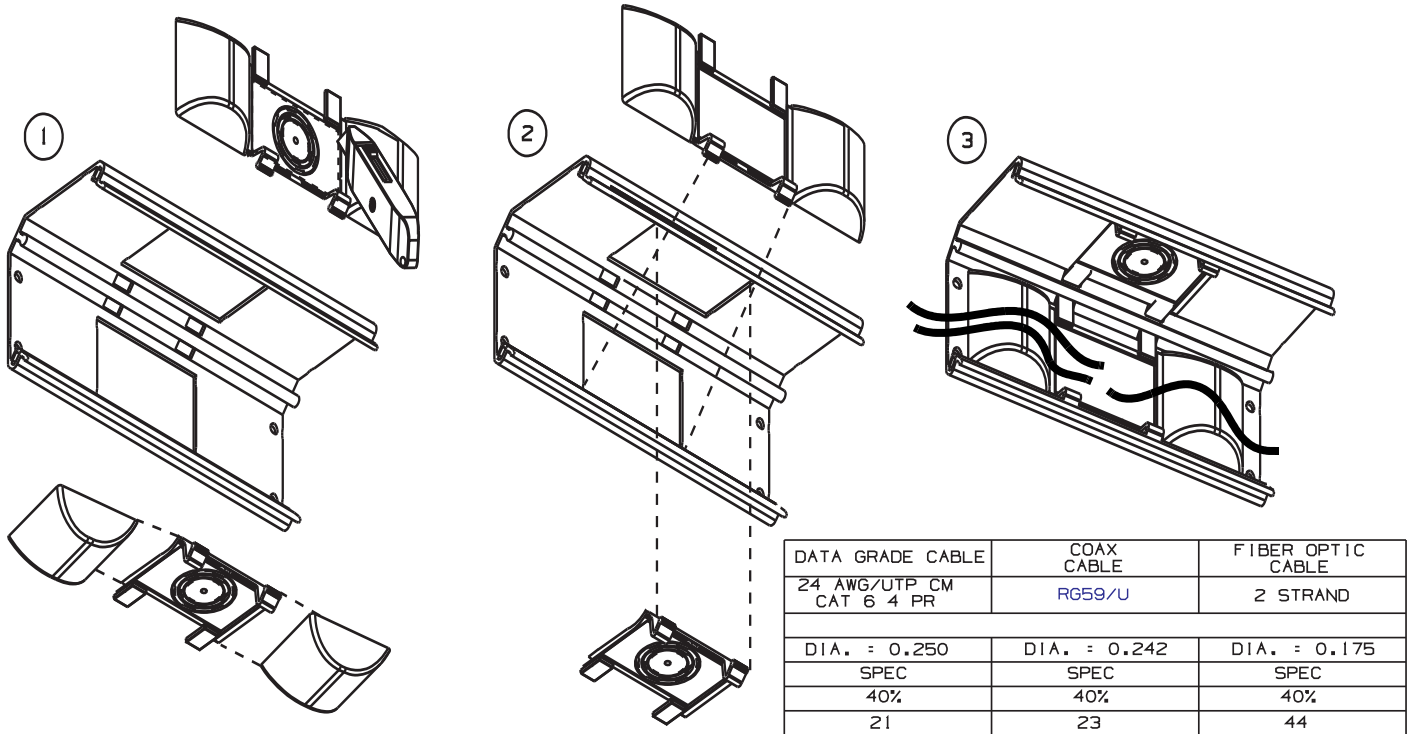
BACKFEED FITTING



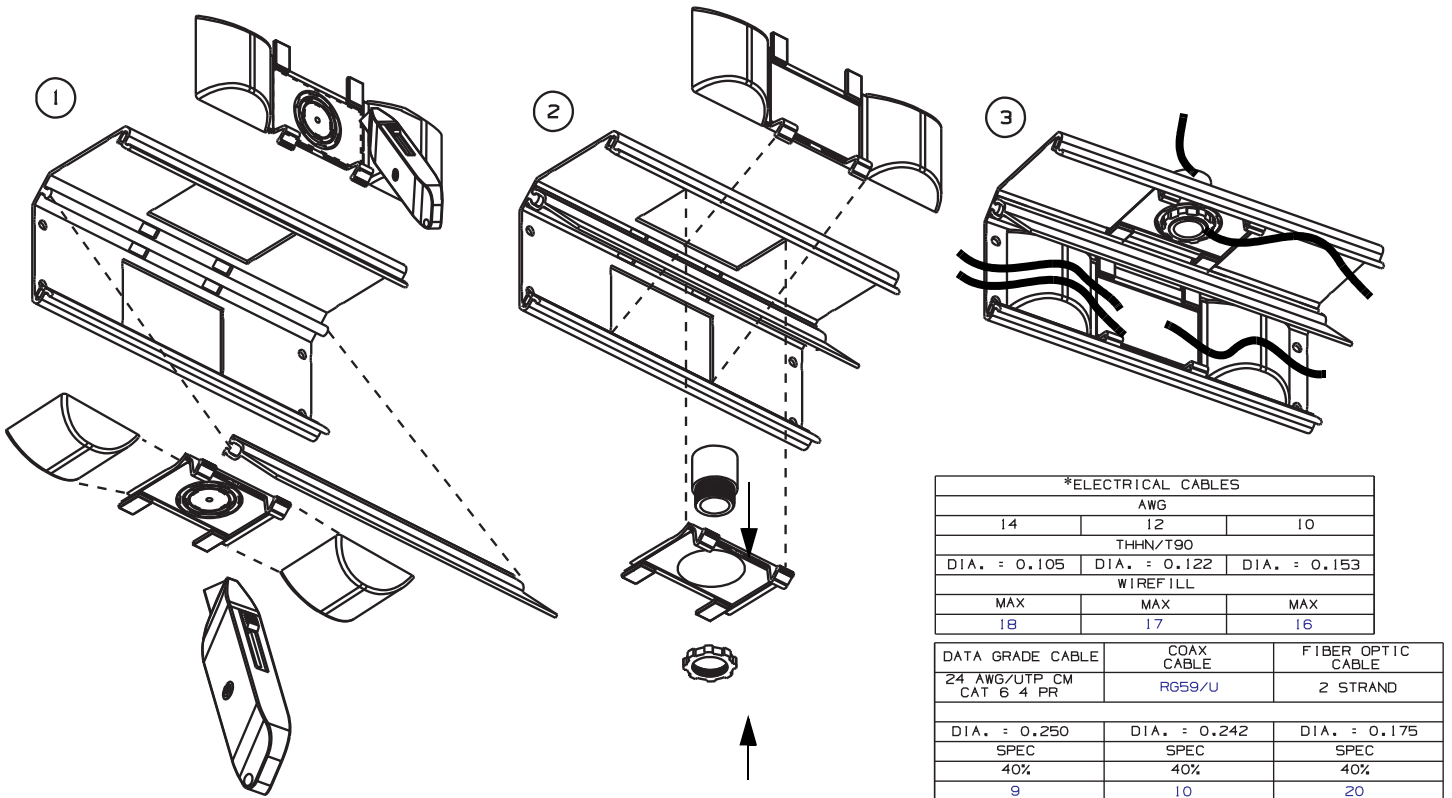
POWER ROUTING



DATA ROUTING



POWER & DATA ROUTING



* WIRES NOT BUNDLED

<p>For Instructions in Local Languages and Technical Support: www.panduit.com/resources/install_maintain.asp</p>	<p>PANDUIT www.panduit.com</p>	<p>E-mail: techsupport@panduit.com Phone: 866-405-6654</p>
--	---	--