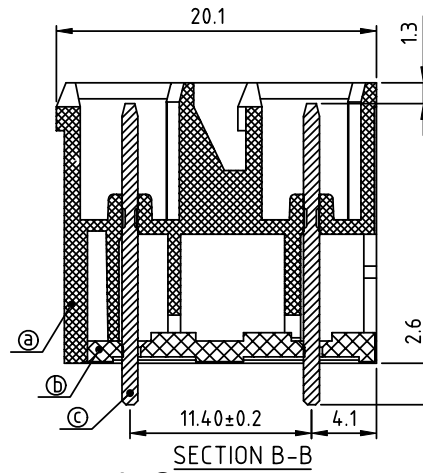
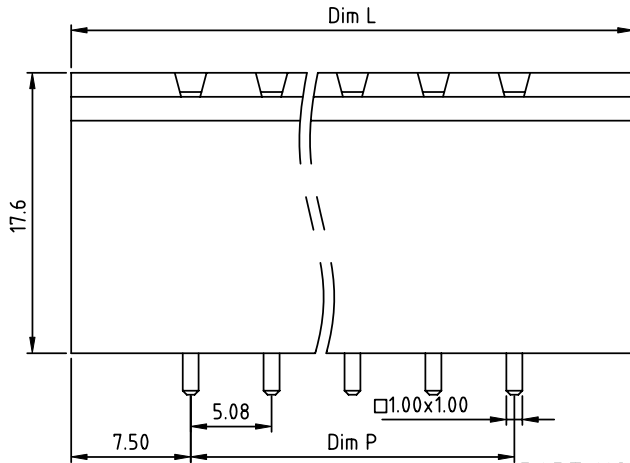
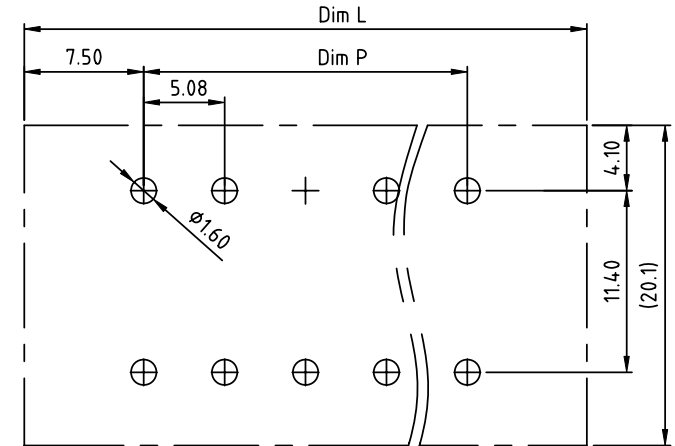
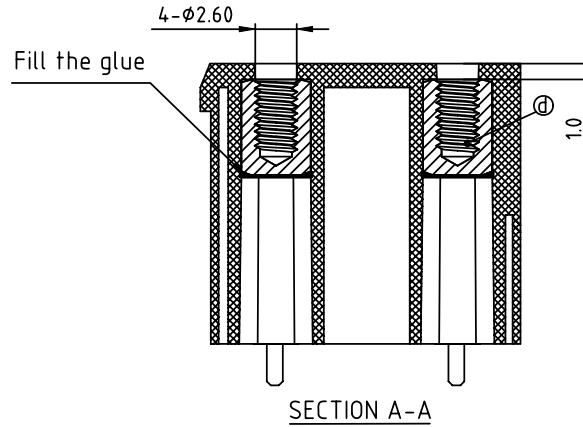
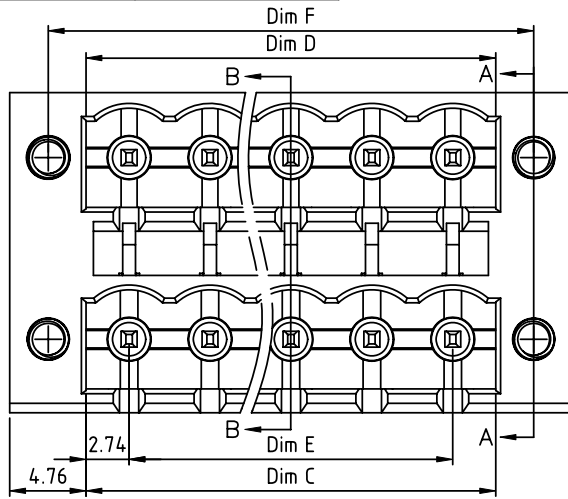


PRODUCT NUMBER	PITCH
KExx52x200J0G	5.08 mm



RECOMMENDED P.C.B LAYOUT
TOP VIEW

Material:

- Item ① Terminal(housing): Thermoplastic (UL94 V-0)
- Item ② Terminal(cover): Thermoplastic (UL94 V-0)
- Item ③ Pin: Copper Tin plated
- Item ④ With flange nut: Brass M2.5

Electrical:

- cULus
- Voltage rating: 300V
- Current rating: 12A
- Withstanding Voltage: 1.6KV
- Operating temperature: -40°C to +115°C
- Soldering temperature: 260°C±5°C/5 Sec
- Safety Approval: US

PART NO.: KE xx 5 2 x 2 00J 0 G

N=Number of poles
 Dim L=(N/2)×5.08+4.84 Dim D=(N/2-1)×5.08+5.48
 Dim P=(N/2-1)×5.08 Dim E=(N/2-1)×5.08
 Dim C=(N/2-1)×5.08+5.48 Dim F=(N/2-1)×5.08+10.16

Poles	Dim L	Dim P	Dim C	Dim D	Dim E	Dim F
2×2P-2×6P	±0.15	±0.15	+0.05 -0.05	+0.05 -0.05	±0.15	±0.15
2×7P-2×12P	±0.25	±0.25	+0.10 -0.05	+0.10 -0.05	±0.25	±0.25
2×13P-2×18P	±0.35	±0.35	+0.20 -0.05	+0.20 -0.05	±0.35	±0.35
2×19P-2×24P	±0.40	±0.40	+0.25 -0.10	+0.25 -0.10	±0.40	±0.40

No. of poles	Color	RoHS compliant (lead<4%) In copper Alloy
04	0 Black (RAL9005)	
06	2 Red (RAL3001/D)	
...	3 Orange(RAL2011/P)	
...	4 Yellow(RAL1018/A)	
...	5 Green(RAL6018/T)	
48	6 Blue (RAL5015/A)	
...	8 Grey(RAL7035/D)	
...	9 White(RAL1102)	
...	C Green(RAL6018/U)	

mat'l. code				surface ASME Y14.5	tolerance ASME Y14.5	projection	product family TERMINAL BLOCK
ltr	ecn no	dr	date	tolerances unless otherwise specified		MM	title TERMINAL BLOCK PLUGGABLE SOCKET, VERTICAL, WITH FLANGE
				angles	X.±0.5		
				±	X.X±0.3	scale	dwg no KExx52x200J0G
				X*1°	X.XX±0.1		
				dr	EVIN ZHONG 042414		sheet 1 of 1 size A4
				enrg	EVIN ZHONG 042414		
				chr	HANKE FENG 042414		
				appd	SHI JUN 042414		
sheet index	revision sheet	A	1				type CUSTOMER Drawing