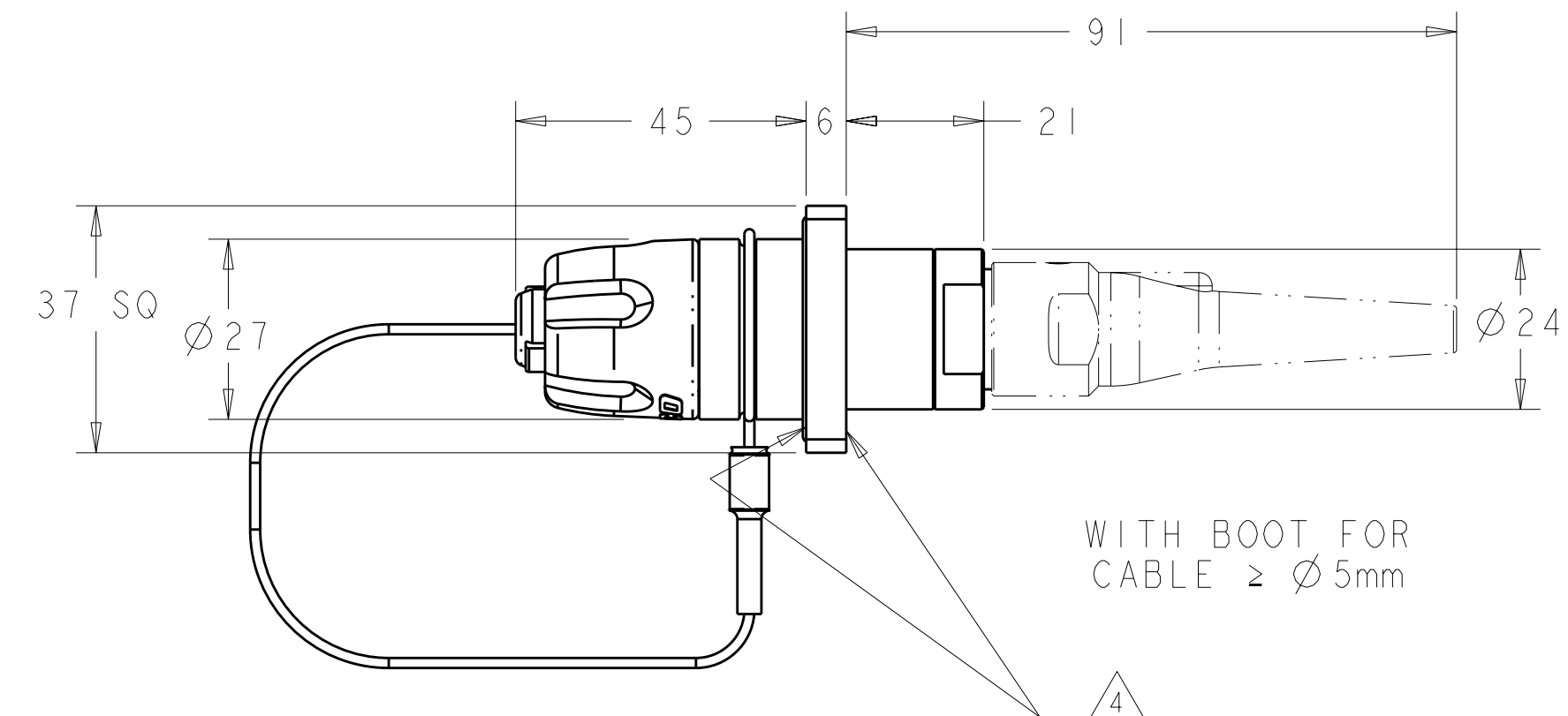
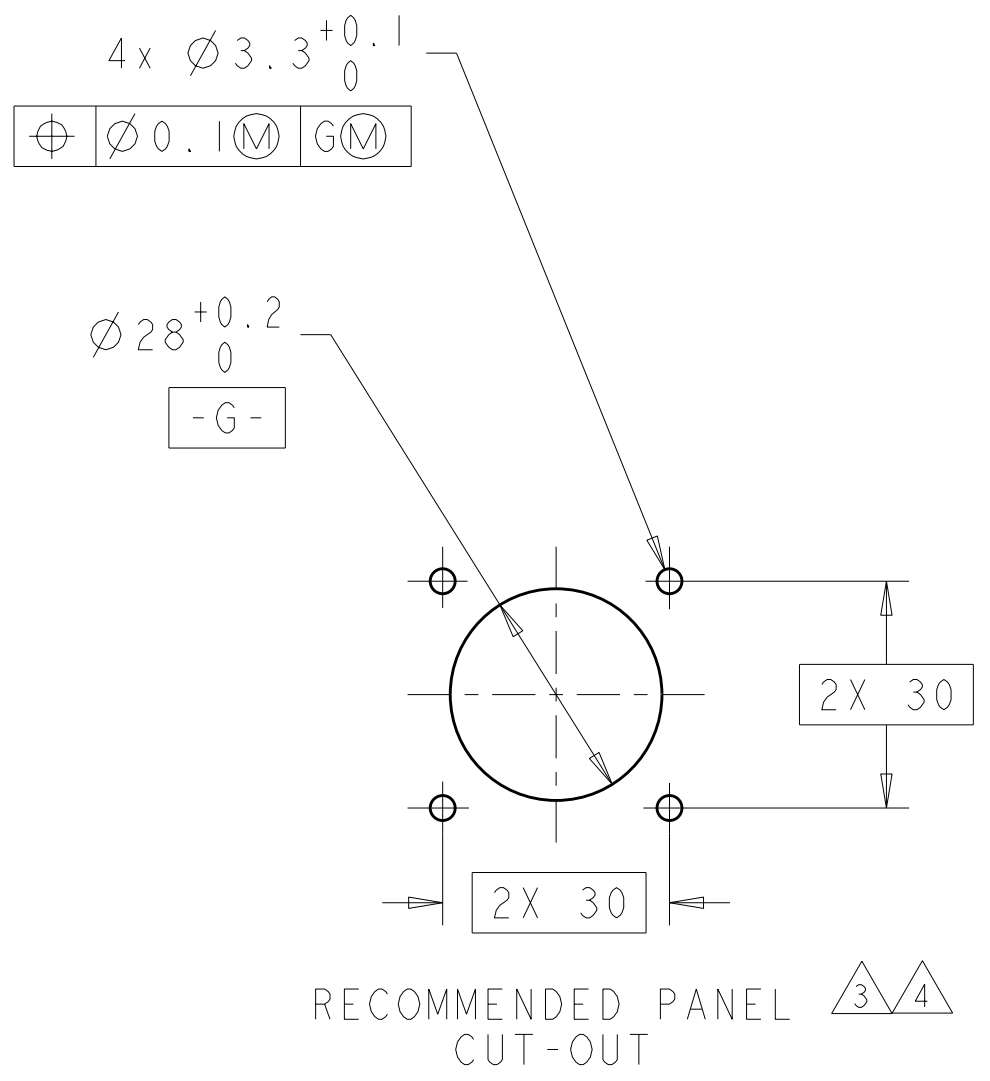
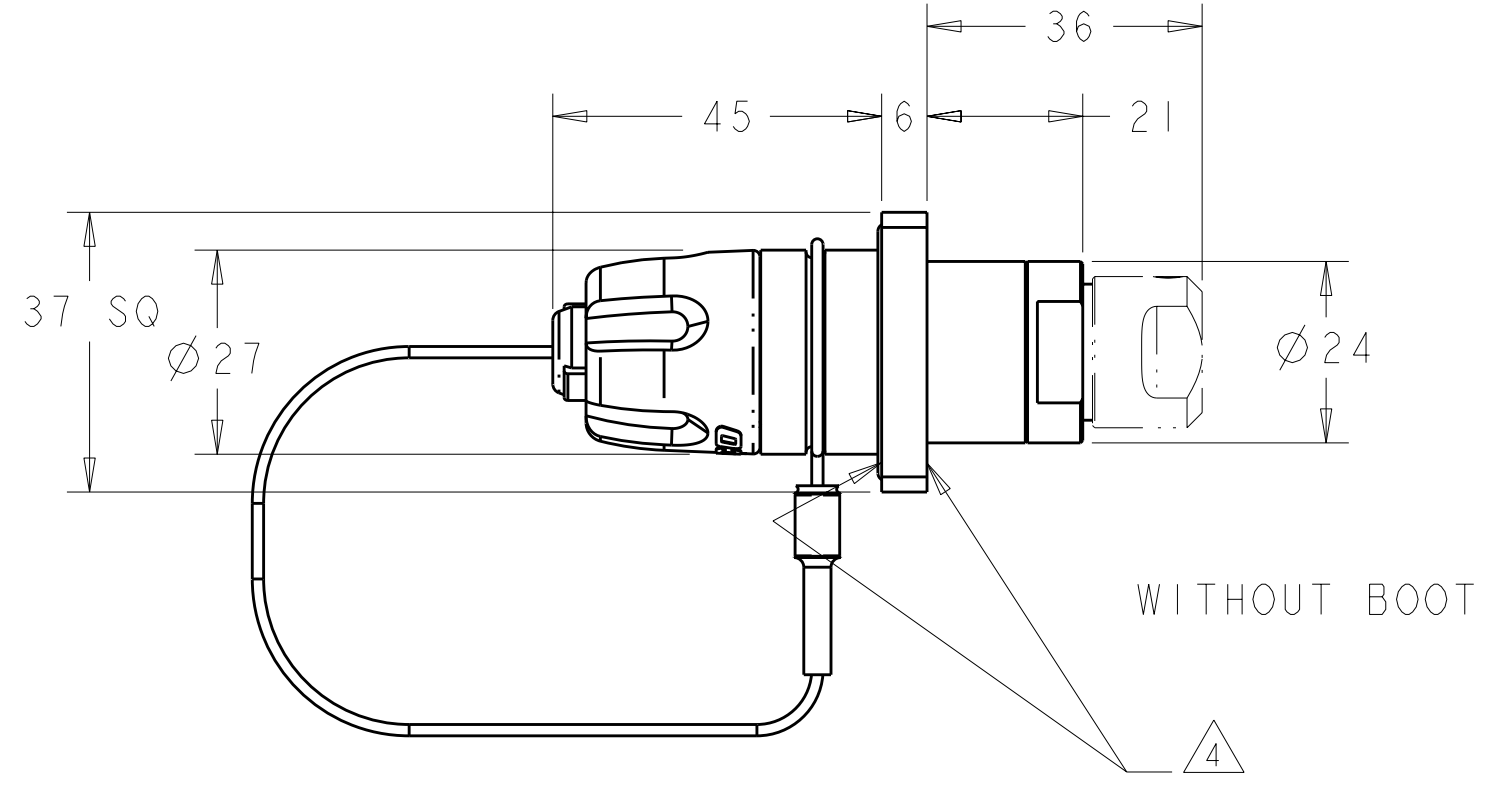
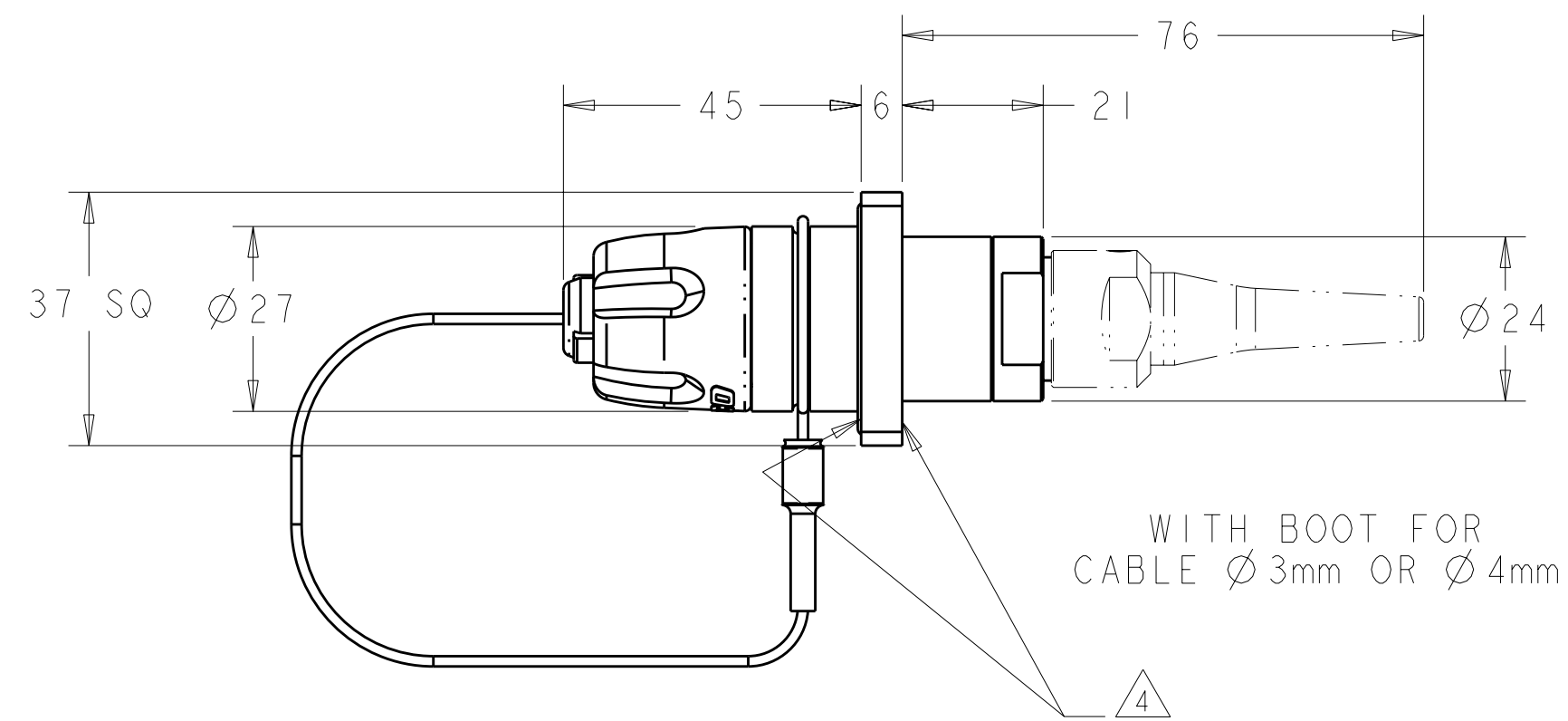


THIS DRAWING IS UNPUBLISHED. RELEASED FOR PUBLICATION 20  
 © COPYRIGHT 20 BY TYCO ELECTRONICS CORPORATION. ALL RIGHTS RESERVED.

LOC	DIST	REVISIONS			
P	LTR	DESCRIPTION	DATE	DWN	APVD
	I	PPR 06-899	02JUN08	KG	DW
	A	ECR-08-027292	29OCT2008	KG	DW

- ASSEMBLY SHOWN FOR REFERENCE ONLY. SHIPPED LOOSE PIECE AS SHOWN ON PAGE 2.
- ALL ASSEMBLY DIMENSIONS ARE FOR REFERENCE ONLY.
- $\triangle$  PANEL THICKNESS: 6mm MAXIMUM.
- $\triangle$  CONNECTOR CAN BE INSTALLED AS FRONT-PANEL-MOUNT OR REAR-PANEL-MOUNT. POSITION 30x2 O-RING IN APPROPRIATE SIDE OF FLANGE.
- THIS PRODUCT HAS NOT COMPLETED VALIDATION TESTING.
- COMPLETE THE CONNECTOR ASSEMBLY BY ADDING EACH OF THE FOLLOWING PRO BEAM JR KITS:
  - EXPANDED BEAM INSERT ASSEMBLY KIT
  - CABLE ADAPTER KIT, SIZED TO THE CABLE JACKET DIAMETER
  - FERRULE KIT, ONE PER FIBER



VIEWS SHOWN WITH CABLE ADAPTER VARIATIONS IN PHANTOM LINES FOR VISUAL AND DIMENSIONAL PURPOSES ONLY

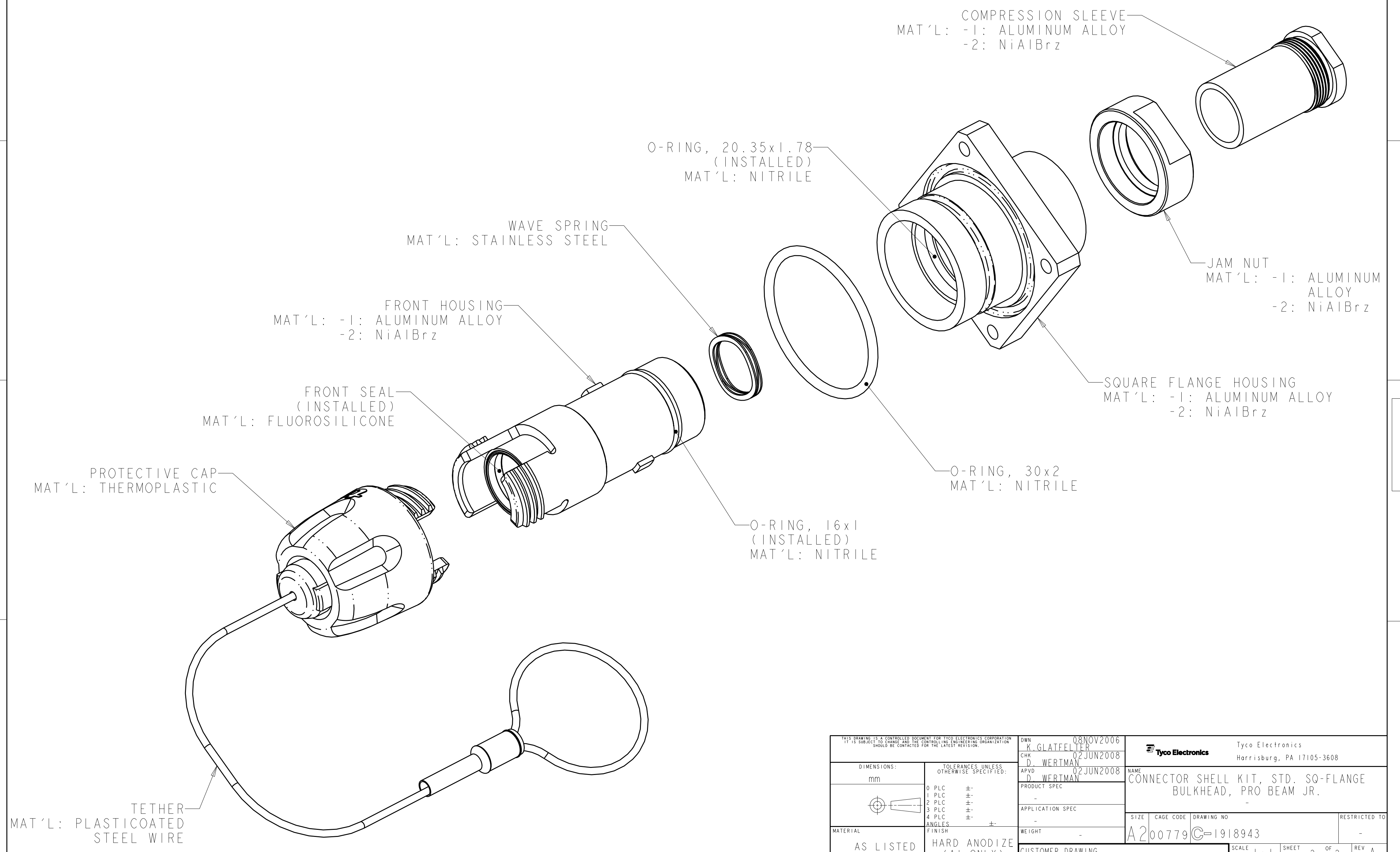
NICKEL ALUMINUM BRONZE	1918943-2
ALUMINUM	1918943-1
HOUSING ALLOY	PART NUMBER

THIS DRAWING IS A CONTROLLED DOCUMENT FOR TYCO ELECTRONICS CORPORATION. IT IS SUBJECT TO CHANGE AND THE CONTROLLING ENGINEERING ORGANIZATION SHOULD BE CONTACTED FOR THE LATEST REVISION.		DWN K. GLATFELTER 08NOV2006	Tyco Electronics Harrisburg, PA 17105-3608	
DIMENSIONS: mm		CHK D. WERTMAN 02JUN2008	NAME CONNECTOR SHELL KIT, STD. SQ-FLANGE BULKHEAD, PRO BEAM JR.	
TOLERANCES UNLESS OTHERWISE SPECIFIED: 0 PLC $\pm$ 1 PLC $\pm$ 2 PLC $\pm$ 3 PLC $\pm$ 4 PLC $\pm$ ANGLES $\pm$ FINISH		APVD D. WERTMAN 02JUN2008	RESTRICTED TO	
MATERIAL - HARD ANODIZE (AL ONLY)		PRODUCT SPEC -	SIZE A200779	DRAWING NO C-1918943
CUSTOMER DRAWING		APPLIC. SPEC -	SCALE 1:1	SHEET 1 OF 2 REV A

THIS DRAWING IS UNPUBLISHED. RELEASED FOR PUBLICATION 20  
 © COPYRIGHT 20 BY TYCO ELECTRONICS CORPORATION. ALL RIGHTS RESERVED.

LOC	DIST	REVISIONS			
P	LTR	DESCRIPTION	DATE	DWN	APVD
CE	16	-	SEE SHEET 1	-	-

I. SHIPPED LOOSE PIECE AS SHOWN.



FRONT HOUSING  
 MAT'L: -1: ALUMINUM ALLOY  
 -2: NiAlBrz

FRONT SEAL  
 (INSTALLED)  
 MAT'L: FLUOROSILICONE

PROTECTIVE CAP  
 MAT'L: THERMOPLASTIC

WAVE SPRING  
 MAT'L: STAINLESS STEEL

O-RING, 20.35x1.78  
 (INSTALLED)  
 MAT'L: NITRILE

O-RING, 16x1  
 (INSTALLED)  
 MAT'L: NITRILE

COMPRESSION SLEEVE  
 MAT'L: -1: ALUMINUM ALLOY  
 -2: NiAlBrz

JAM NUT  
 MAT'L: -1: ALUMINUM ALLOY  
 -2: NiAlBrz

SQUARE FLANGE HOUSING  
 MAT'L: -1: ALUMINUM ALLOY  
 -2: NiAlBrz

O-RING, 30x2  
 MAT'L: NITRILE

TETHER  
 MAT'L: PLASTICOATED  
 STEEL WIRE

THIS DRAWING IS A CONTROLLED DOCUMENT FOR TYCO ELECTRONICS CORPORATION. IT IS SUBJECT TO CHANGE AND THE CONTROLLING ENGINEERING ORGANIZATION SHOULD BE CONTACTED FOR THE LATEST REVISION.		DWN K. GLATFELTER 08NOV2006	Tyco Electronics Harrisburg, PA 17105-3608	
DIMENSIONS: mm		CHK D. WERTMAN 02JUN2008	NAME CONNECTOR SHELL KIT, STD. SQ-FLANGE BULKHEAD, PRO BEAM JR.	
TOLERANCES UNLESS OTHERWISE SPECIFIED: 0 PLC ± 1 PLC ± 2 PLC ± 3 PLC ± 4 PLC ± ANGLES ±		APVD D. WERTMAN 02JUN2008	RESTRICTED TO	
MATERIAL AS LISTED		PRODUCT SPEC -	SIZE A200779	DRAWING NO. C-1918943
FINISH HARD ANODIZE (AI ONLY)		APPLICATION SPEC -	SCALE 1:1	SHEET 2 OF 2 REV A
		WEIGHT -	CUSTOMER DRAWING	