



- Polyamide hand held enclosures for data acquisition, MCR and automation engineering
- 2 sizes: 270 x 248 x 64 mm to 311 x 281 x 72 mm
- Large fitting area
- For installations and command devices mobile and stationary applicable
- Variable mounting depths

#### **Included in delivery:**

Double-skinned enclosure with upper and lower mould, each with fixing domes incl. seals and border profile, 3 cover flaps for interface garages, screws and fixing materials for front panel mounting.

#### **Technical data**

##### **Material:**

enclosure: polyamide  
border profile: NBR, black

##### **Ingress protection:**

IP 65 to EN 60529

##### **EMC:**

optional

##### **Surface resistance:**

$10^{12}$  Ohm, IEC 60093

##### **Flammability:**

V2 / UL 94

##### **Colour:**

RAL 7021, black grey

##### **Temperature range:**

-20°C to +60°C

# Limanda

## Product range

Order No.	Enclosure type	Dimensions, W x L x H (mm)	Weight (kg)
27.03 03 00	Limanda I	311 x 281 x 72	1.2
27.03 03 01	Limanda I EMC	311 x 281 x 72	1.2
27.03 03 17	Limanda I for OP17	311 x 281 x 97	1.5
27.03 02 00	Limanda II	270 x 248 x 64	0.8
27.03 02 01	Limanda II EMC	270 x 248 x 64	0.8

## Accessories

	Order No.
Limanda I Aluminium front panel, natural anodized finish Dimensions 269 x 199 x 3 mm, max. connector area 257 x 182 mm	27.03 03 80
Limanda I EMC front plate	27.03 03 90
Limanda II Aluminium front plate, natural anodized finish	27.03 02 80
Limanda II EMC front plate	27.03 02 90
Limanda I intermediate frames	27.03 03 81
Limanda II intermediate frames	27.03 02 81
Limanda II mounting set for Siemens TP 170 / TP 070	27.03 02 82
Limanda I EMC intermediate frame	27.03 00 88
Limanda II EMC intermediate frame	27.03 02 88
Limanda I handle set without push button	27.03 00 83
Limanda holder	27.03 00 84
Limanda I carrying strap	27.03 00 85
Limanda I quiver	27.03 00 86
Limanda II table stand (set = 2 pcs.)	27.03 00 87
Limanda II quiver	27.03 00 89
Limanda I quiver with intermediate frame	27.03 00 90
Limanda II quiver with intermediate frame	27.03 00 91
Limanda I handle set with 3-stage step enabling switch (right-hand version)	27.03 00 71
Limanda I handle set with 3-stage step enabling switch (left-hand version)	27.03 00 72
Cable connection with bending protection M 16	08.10 01 16
Cable connection with bending protection M 20	08.10 01 20
Cable connection with bending protection M 25	08.10 01 25
Inclining adapter for mounting directly on wall or machine	50.02 00 01
Inclining adapter for mounting directly onto GT 48/2 tube	50.02 00 02
Inclining adapter for mounting directly onto GTK electronic tube	50.02 00 03
Inclining adapter for mounting directly onto GT 48/2 or GTK electronic	50.02 00 04
Inclining adapter for Limanda bracket on GT 48/2 tube	50.02 00 05
Inclining adapter for Limanda bracket on GTK electronic tube	50.02 00 06
Inclining adapter for Limanda bracket on wall or machine	50.02 00 07
Push button and switches see page 53 - 58	on request



Limanda enclosure systems enable installation of many manual operation panels.



**Limanda I for OP17** - Supplied ready for installation of the Siemens OP17 Operator Panel without additional fitting materials.

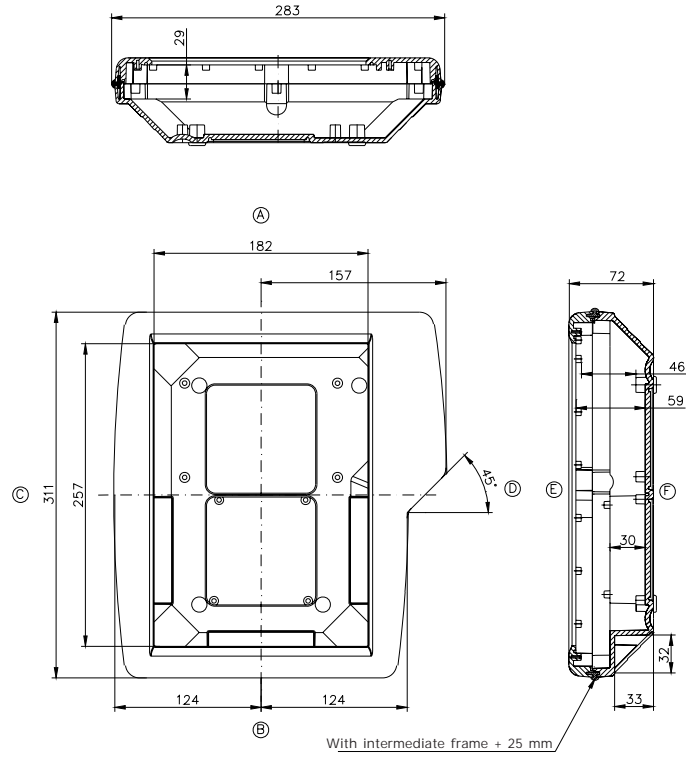


**Limanda II** with fitted command unit

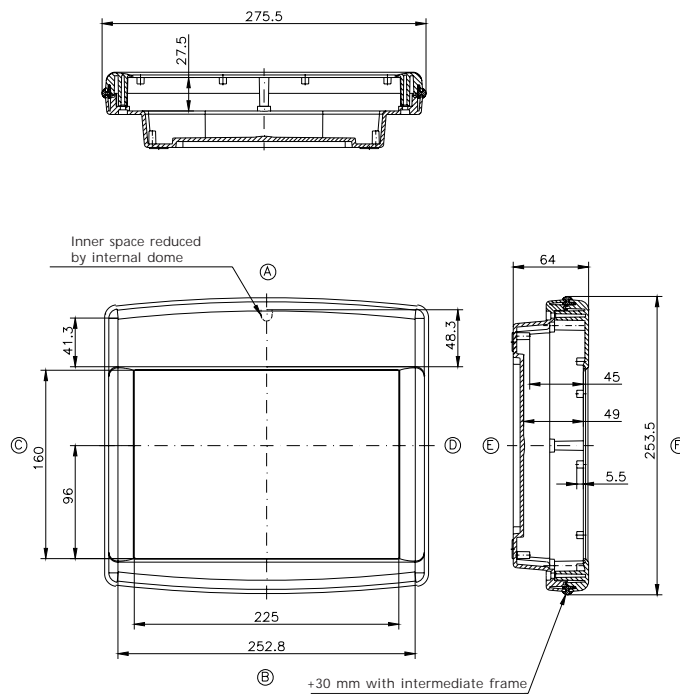
Dimensions



Limanda I



Limanda II



# Limanda

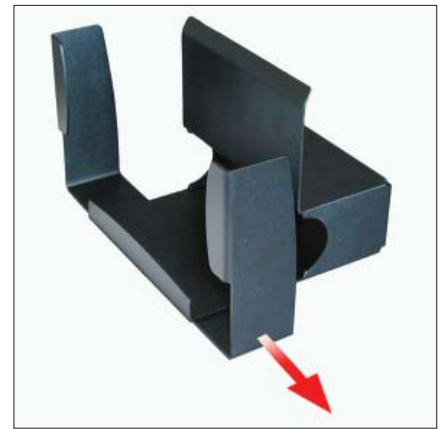
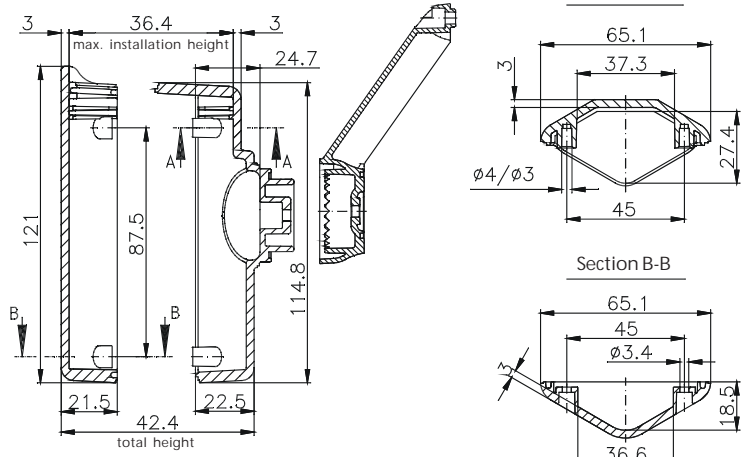
## Accessories



### Limanda I handle set

For installation on all four rear corners of the enclosure. The handle incorporates a stepped engaging mechanism which allows it to be optimally adjusted for the operator during installation.  
IP 65 once assembled.

Order No. **27.03 00 83**



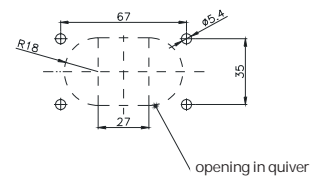
**Limanda I handle set with 3-step enabling switch**  
(2-channel) for use in service, set up and programming operations.  
Included in delivery: handle set with fixed enabling switch

Order No.	Type
<b>27.03 00 71</b>	Right-hand version (see figure)
<b>27.03 00 72</b>	Left-hand version

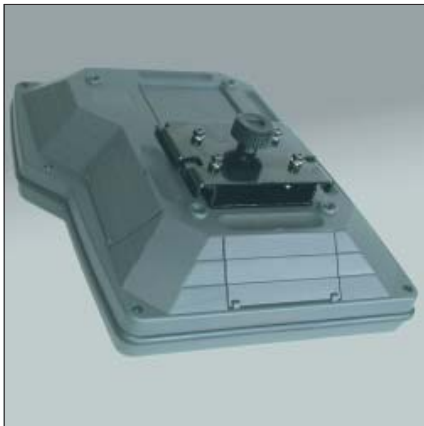
Technical data see page 53 - 58

**Limanda quiver**  
Wall holder - adjustable in width, can be adapted to inclining adapter.  
Material sheet steel.

Order No.	for version
<b>27.03 00 86</b>	Limanda I
<b>27.03 00 89</b>	Limanda II
<b>27.03 00 90</b>	Limanda I with intermediate frame
<b>27.03 00 91</b>	Limanda II with intermediate frame



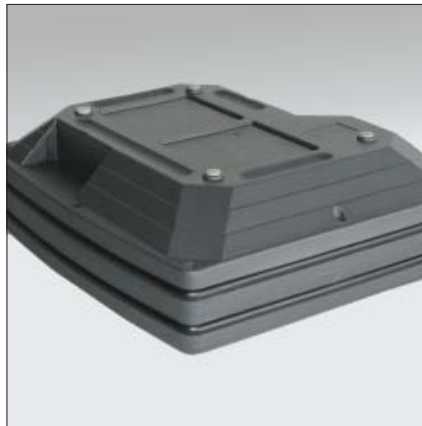
## Accessories



### Limanda holder

Enables rapid removal of the Limanda from the inclining adapter (for Limanda I and II). There is a gap of 19.5 mm between the Limanda and the holder for assembly purposes.

Order No. **27.03 00 84**



### Limanda I intermediate frames

To increase the mounting depth

Order No.	depth	for version
<b>27.03 03 81</b>	25 mm	Limanda I
<b>27.03 02 81</b>	30 mm	Limanda II
<b>27.03 00 88</b>	25 mm	Limanda I EMC
<b>27.03 02 88</b>	30 mm	Limanda II EMC



### Carrying strap

The 30 mm wide woven strap can be adjusted from length 900 to 1600 mm.

Order No. **27.03 00 85**



### Inclining adapter

Order No.	Type	Weight (kg)
<b>50.02 00 01</b>	For mounting directly to wall or machine	1.3
<b>50.02 00 02</b>	For mounting directly to GT 48/2 tube	1.0
<b>50.02 00 03</b>	For mounting directly to GTK electronic tube	1.0
<b>50.02 00 04</b>	For installation to GT 48/2 or GTK electronic coupling	0.9

### Technical data

Material	2.5 mm sheet steel
Bellow	PVC (T-50M), RAL 9005 (black)
Surface	black powder-coated
Temperature range	-40°C to +60°C
Stepped engaging mechanism	22,5°-steps



### Cable connection with bending protection (no lock nut)

Order No.	Type
<b>08.10 01 16</b>	M 16 cable connection with bending protection
<b>08.10 01 20</b>	M 20 cable connection with bending protection
<b>08.10 01 25</b>	M 25 cable connection with bending protection

### Technical data

Material	Polyamide
Moulded seal	NBR
Enclosure rating	IP 68 - 5 bar
Temperature range	-20°C to +100°C
Colour	RAL 9005 jet black

# Limanda

## Accessories



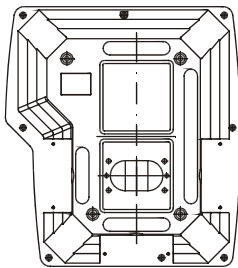
*Limanda I inclining adapter for holder*

Order No.	Type	Weight (kg)
50.02 00 05	for mounting directly to GT 48/2 tube	0.8
50.02 00 06	for mounting directly to GTK electronic tube	0.8
50.02 00 07	for mounting directly to wall or machine	0.5

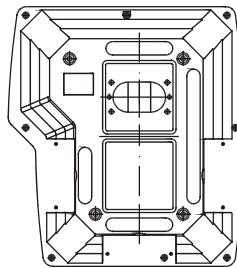
**Technical data**

Material	2.5 mm sheet steel (black powdered)
Knurled handles	reinforced thermoplastic
Temperature range	-40°C to +60°C

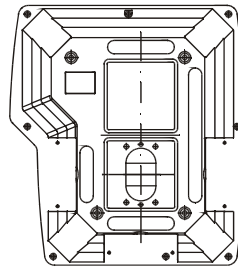
Variant 1



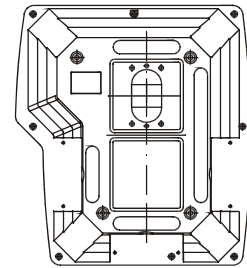
Variant 2



Variant 3



Variant 4



Specific Limanda drilling map required!

**Dimensions (wall mounted version)**

