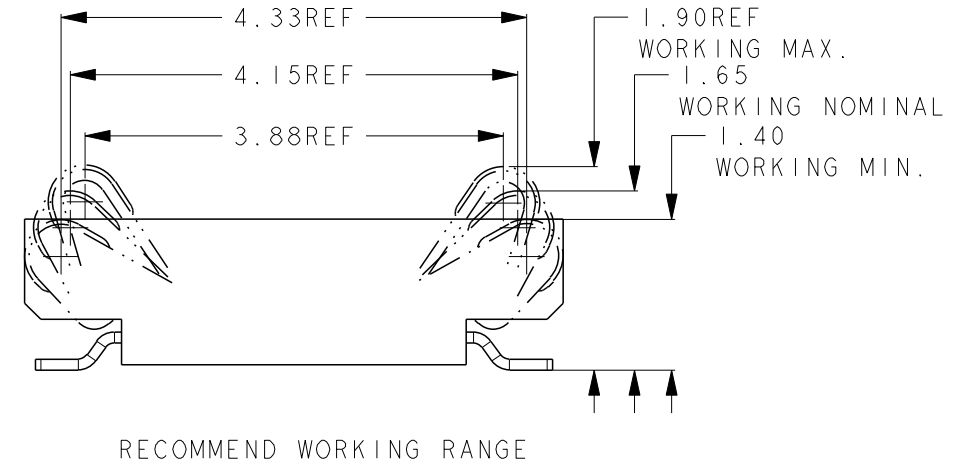
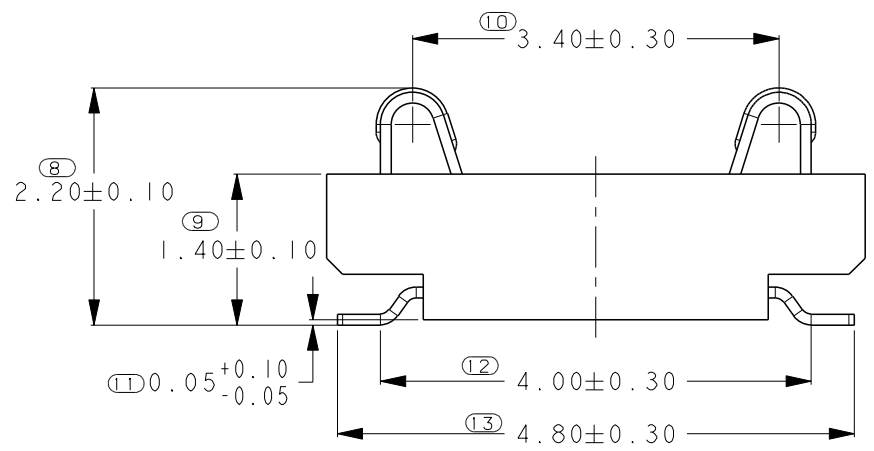
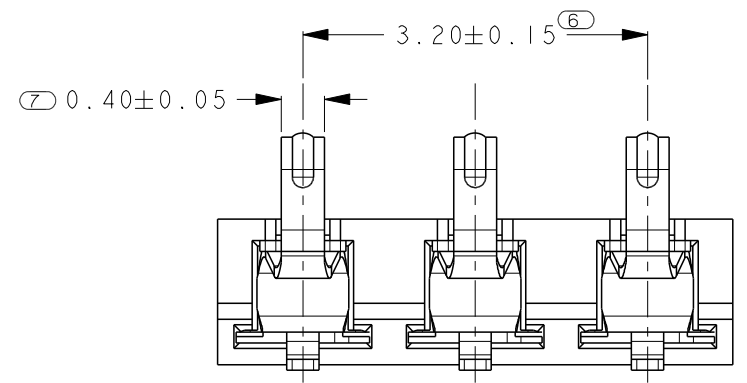
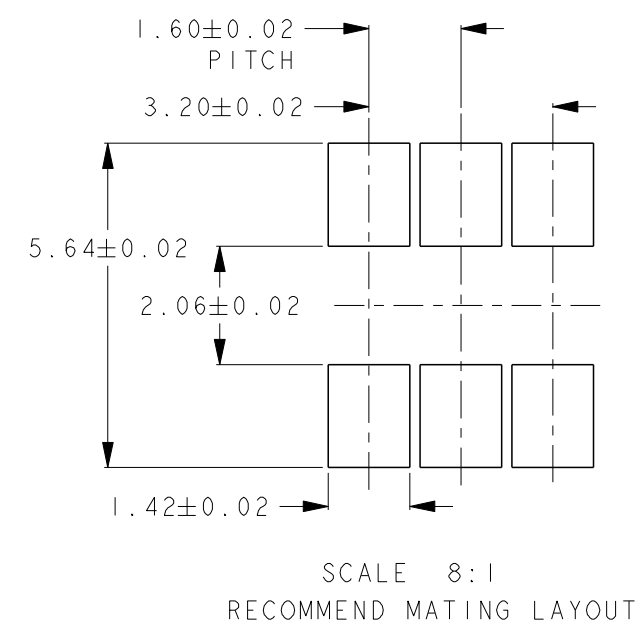
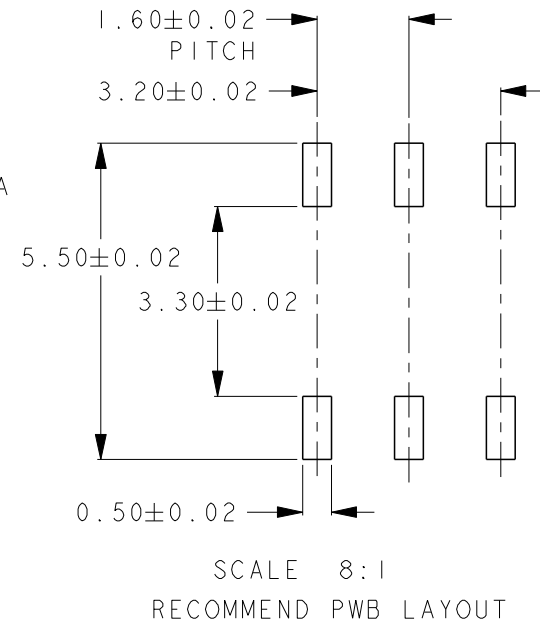
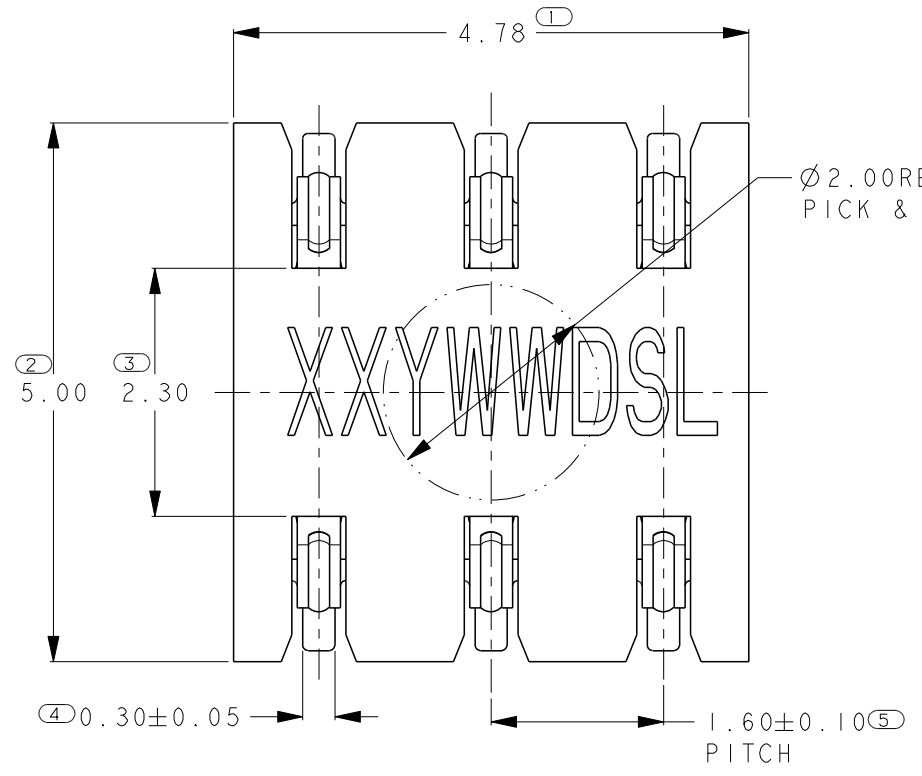


LOC	DIST	REVISIONS			
P	LTR	DESCRIPTION	DATE	DWN	APVD
ES		A	RELEASE	21MAR2011	M.S S.Y
		A1	ADD DIM. NO.	22JUN2011	M.S S.Y
		A2	REVISE SPEC NO.	19AUG2011	M.S S.Y

AS SHOWN: 1932771-1



- NOTES:
- 1 MATERIAL TERMINAL : COPPER ALLOY, THICKNESS 0.10mm. HOUSING : HIGH TEMPERATURE THERMO PLASTIC UL94V-0 BLACK
 - 2 FINISH TERMINAL : 0.10-0.2 µm GOLD PLATING ON CONTACT AREA, 1.25 µm MIN. NICKLE UNDER PLATING, GOLD FLASH PLATING ON SOLDERING AREA.
 - 3 COPLANARITY : 0.08 MAX. AMONG ALL SOLDER TAILS.
 - 4 PACKAGING : TAPE & REEL.

THIS DRAWING IS A CONTROLLED DOCUMENT.		DWN	22OCT2010	TE Connectivity	NAME ONE PIECE BtoB CONNECTOR 6 PINS, 1.6MM PITCH, H1.65, TWO ROWS
DIMENSIONS: mm		CHK	SHI MING		
TOLERANCES UNLESS OTHERWISE SPECIFIED: ±0.20		APVD	WENKE HE		
0 PLC ± 1 PLC ± 2 PLC ± 3 PLC ± 4 PLC ± ANGLES ±5°		PRODUCT SPEC	STEVEN YAO		
MATERIAL		APPLICATION SPEC	108-115016-1	SIZE	-
FINISH		WEIGHT	0.062g	CAGE CODE	A300779
		DRAWING NO		DRAWING NO	C=1932771
		RESTRICTED TO		SCALE	20:1
		SHEET		1	OF 2
		REV		A2	

