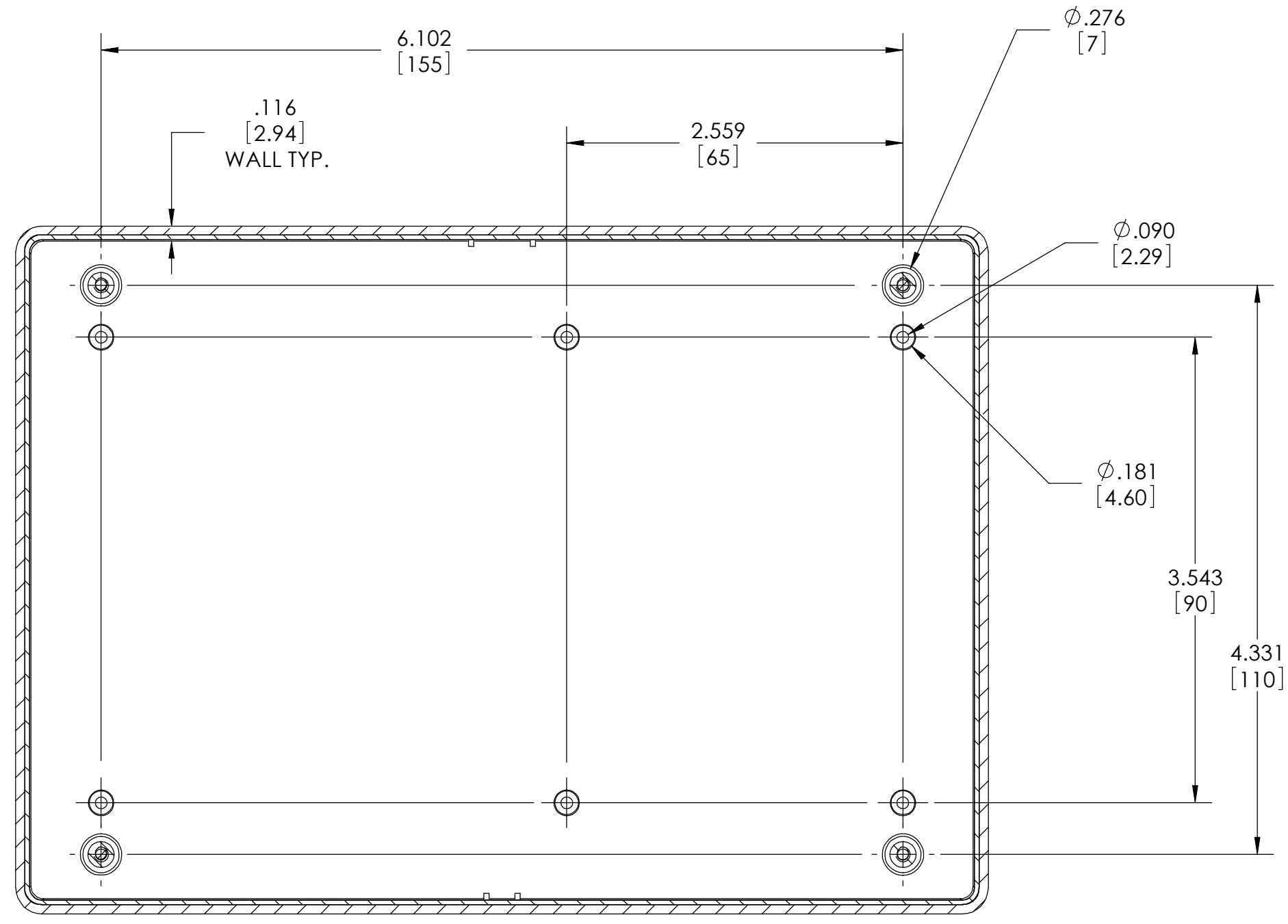
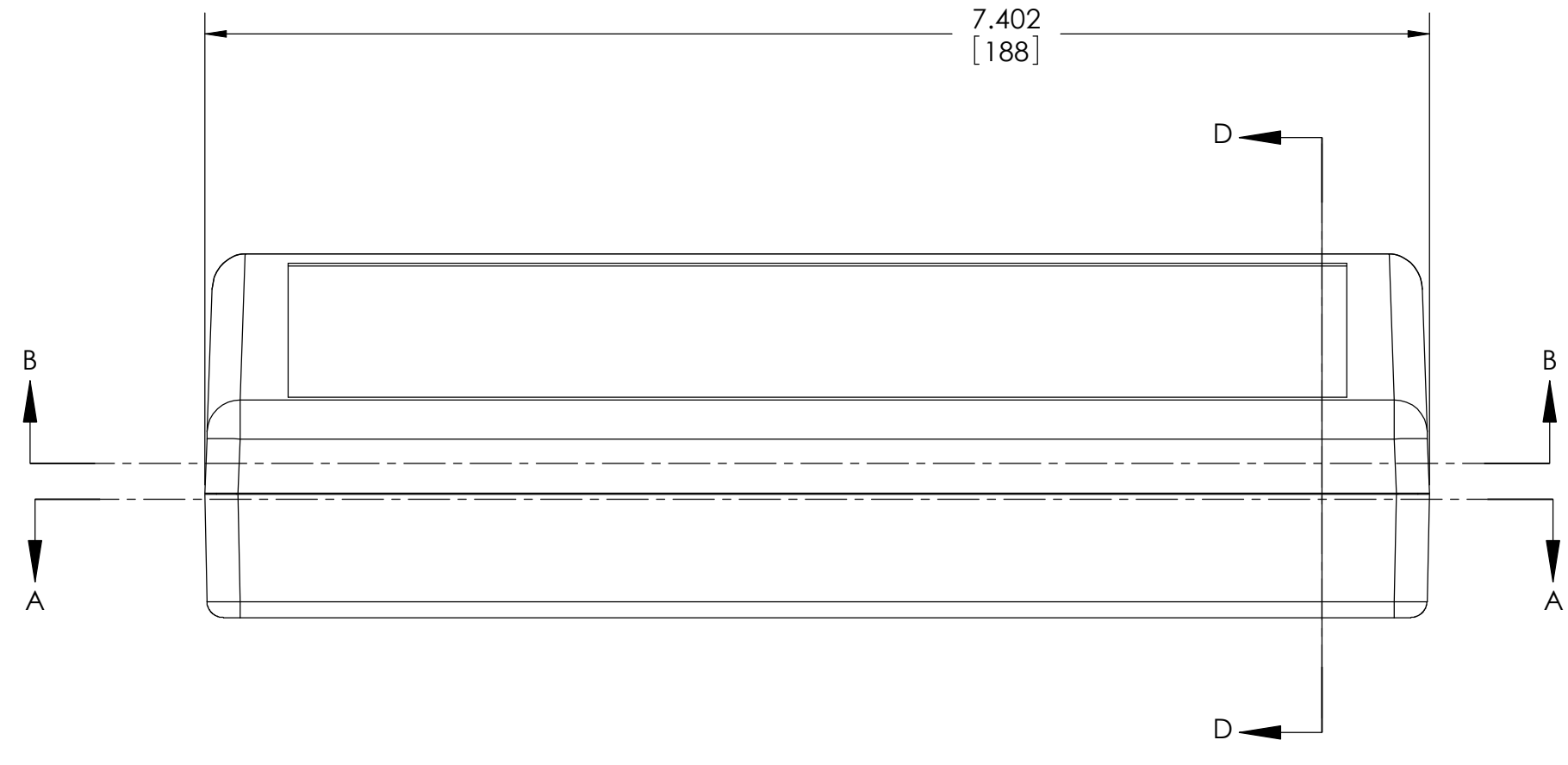


THE INFORMATION CONTAINED IN THIS DRAWING IS THE SOLE PROPERTY OF BUD INDUSTRIES INC. ANY REPRODUCTION IN PART OR WHOLE WITHOUT THE WRITTEN PERMISSION OF BUD INDUSTRIES INC. IS PROHIBITED.

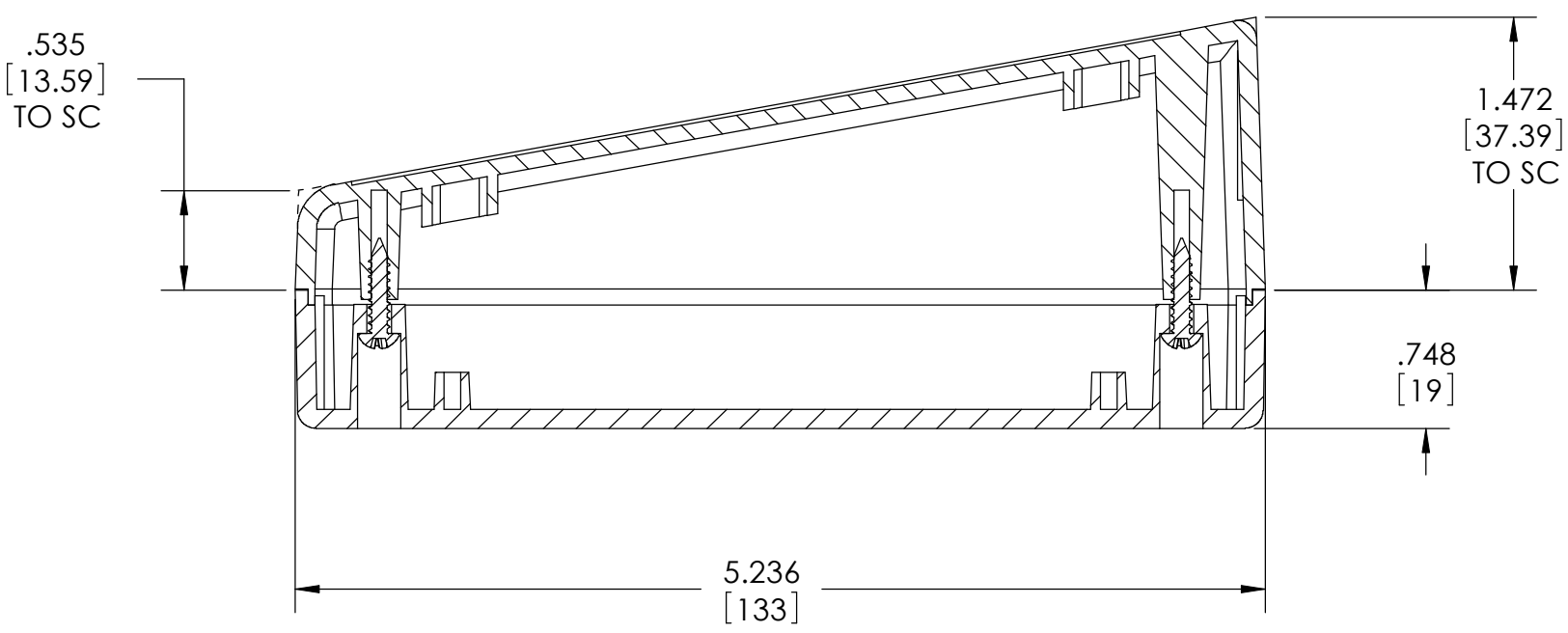
DWG. NO.	PT11820 Assem
ISSUE	REVISIONS



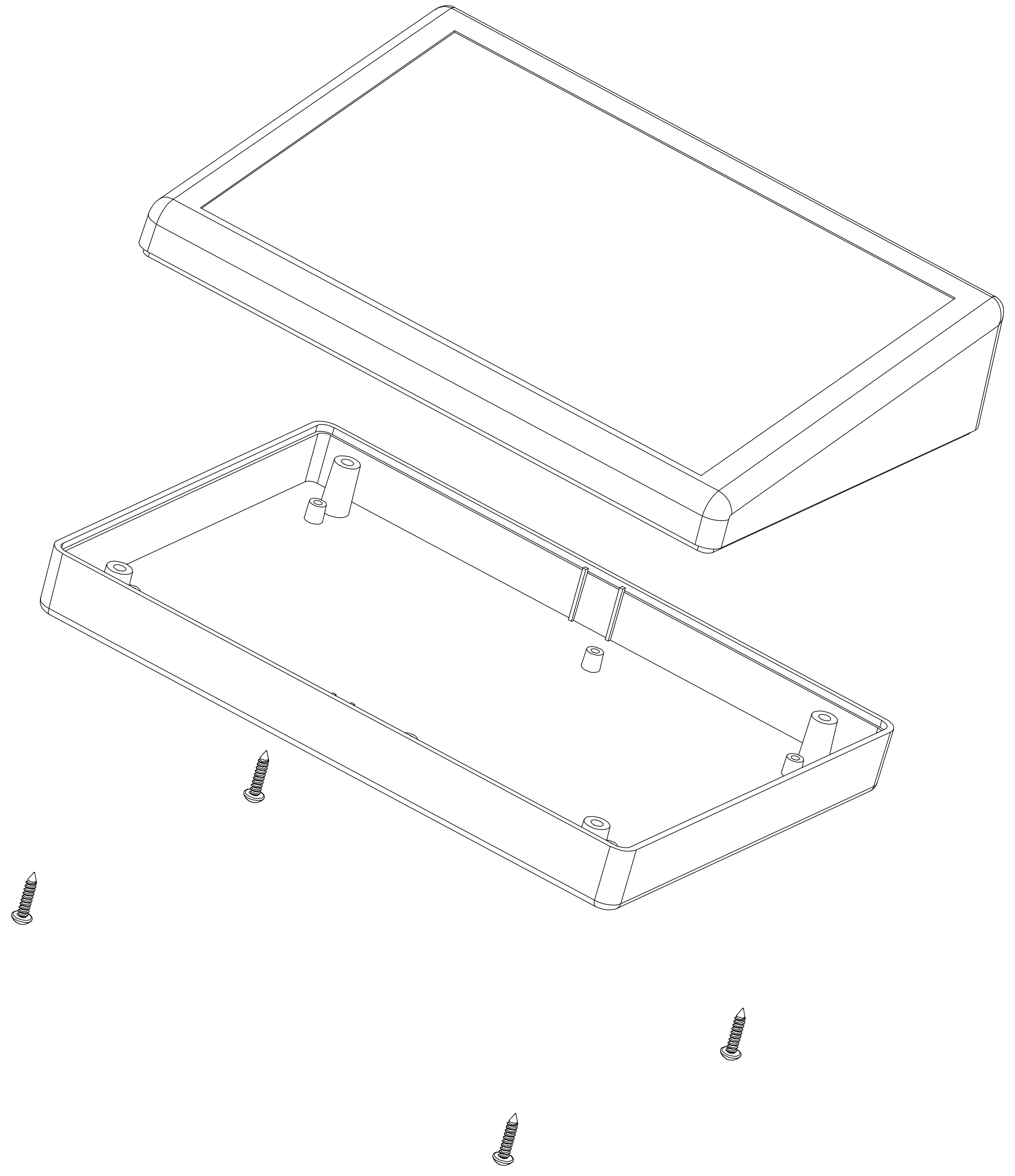
SECTION A-A  
SCALE 1 : 1



SECTION B-B  
SCALE 1 : 1



SECTION D-D  
SCALE 1 : 1



MATERIAL:  
ABS PLASTIC UL94-HB

TEXTURE:  
ALL EXTERIOR SURFACES ARE  
TEXTURED  
INTERIOR SURFACES ARE SMOOTH

COLOR:  
BEIGE

PARTS LIST		BUD INDUSTRIES INC.	
APPROVALS	DATE	<b>PLASTIBOX STYLE "L"</b> <b>DESKTOP ENCLOSURE</b> <b>7.40 [188] X 5.24 [133] X 2.22 [56.4]</b>	
RD	12-2-08		
MATERIAL	AS NOTED	SCALE	PT-11820
FINISH	SEE SPEC.	SCALE	PT-11820

QTY.	USED ON