

FIG 1
 TERMINAL STYLE -AA
 T-1R5-X

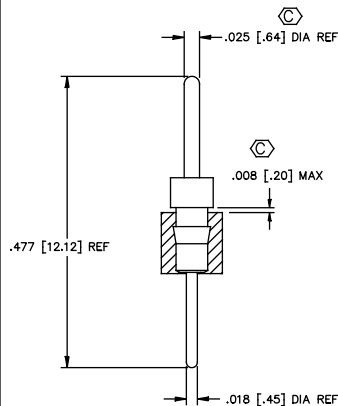


FIG 2
 TERMINAL STYLE -A
 T-1R0-X

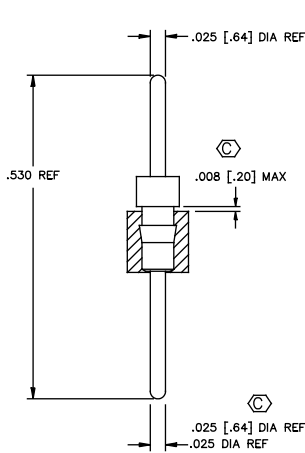


FIG 3
 TERMINAL STYLE -A-1
 T-1R7-1-X

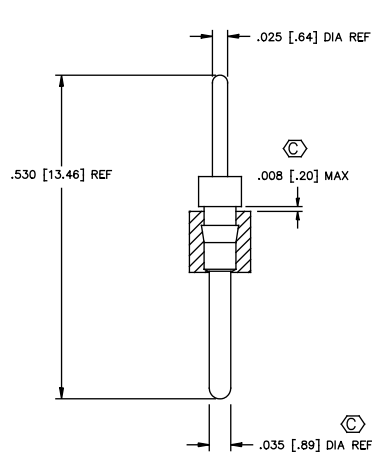


FIG 4
 TERMINAL STYLE -A-2
 T-1R7-2-X

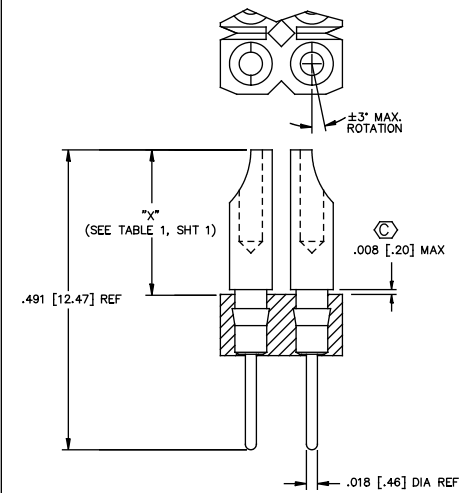


FIG 5
 TERMINAL STYLE -B
 T-1R1-X

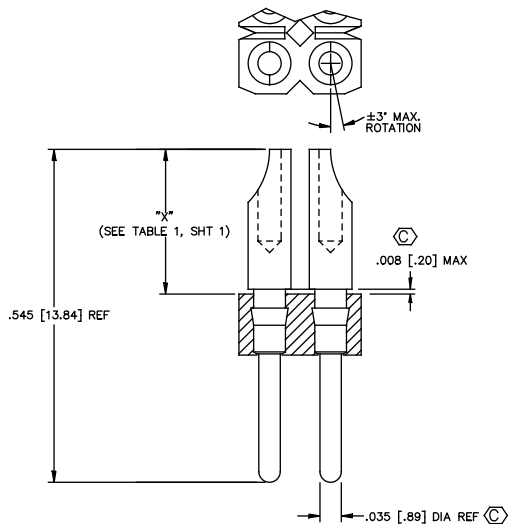


FIG 7
 TERMINAL STYLE -B-2
 T-1R8-2-X

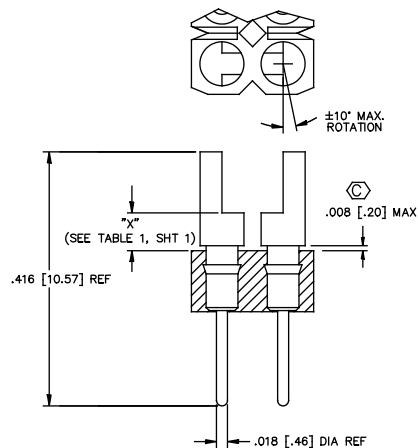


FIG 8
 TERMINAL STYLE -C
 T-1R2-X

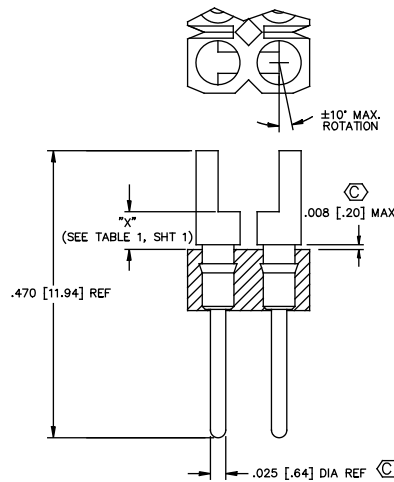


FIG 9
 TERMINAL STYLE -C-1
 T-1R9-1-X

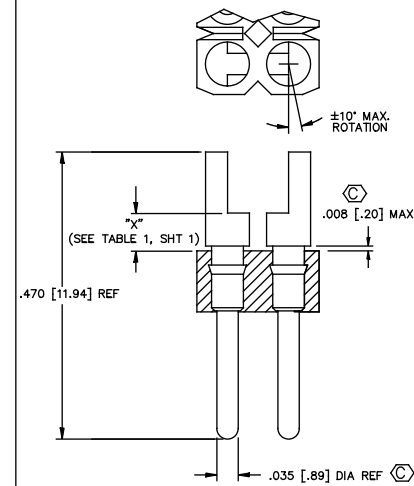


FIG 10
 TERMINAL STYLE -C-2
 T-1R9-2-X

PROPRIETARY NOTE
 THIS DOCUMENT CONTAINS SAMTEC'S PROPRIETARY INFORMATION. IT IS THE PROPERTY OF SAMTEC AND IS NOT TO BE REPRODUCED, COPIED, OR TRANSMITTED IN ANY FORM OR BY ANY MEANS, ELECTRONIC OR MECHANICAL, INCLUDING PHOTOCOPYING, RECORDING, OR BY ANY INFORMATION STORAGE AND RETRIEVAL SYSTEM, WITHOUT THE WRITTEN PERMISSION OF SAMTEC.