

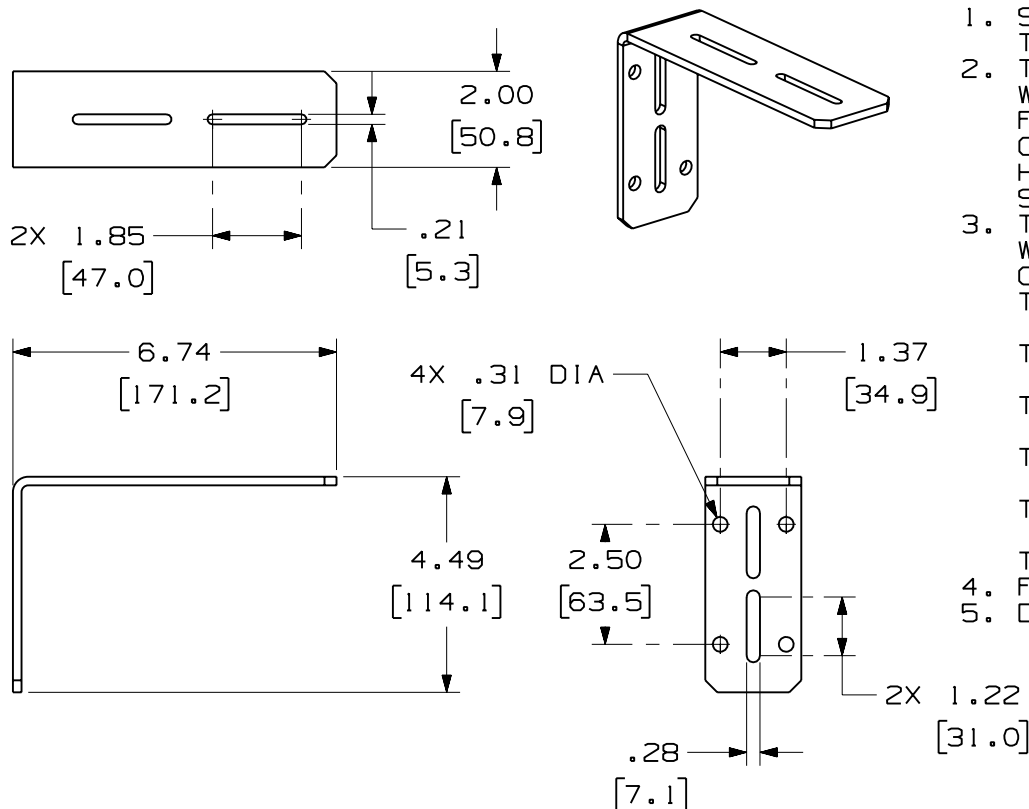


PANDUIT PART NUMBER	WEIGHT
FLB FLBM	1.05 LB/EACH (474g/EACH)



NOTES:

- SEE CURRENT CATALOG FOR ADDITIONAL PART SUFFIXES TO INDICATE PACKAGE QUANTITY.
- THE FIBER-DUCT 2x2, 4x4 AND FIBERRUNNER 2x2 WALL MOUNT "L" BRACKET IS USED TO SUPPORT THE FIBER-DUCT 2x2 AND 4x4 SOLID AND SLOTTED WALL CHANNEL AND THE FIBERRUNNER 2x2 HINGED AND HINGED SLOTTED CHANNEL FROM ANY FLAT SURFACE SUITABLE TO CARRY THE WEIGHT OF THE PATHWAY.
- THE FIBER-DUCT 2x2, 4x4 AND FIBERRUNNER 2x2 WALL MOUNT "L" BRACKET KIT INCLUDES:
 ONE (1) BRACKET,
 TWO (2) #10-32x1/2 PAN HEAD SLOTTED MACHINE SCREWS (FLB ONLY)
 TWO (2) M5x.8x16 PAN HEAD SLOTTED MACHINE SCREWS (FLBM ONLY)
 TWO (2) #10 HELICAL SPRING LOCKWASHERS (FLB ONLY)
 TWO (2) M5 HELICAL SPRING LOCKWASHER (FLBM ONLY)
 TWO (2) #10-32 HEX MACHINE SCREW NUTS (FLB ONLY)
 TWO (2) M5x.8 HEX NUTS (FLBM ONLY)
- FINISH COLOR: YELLOW ZINC DICHROMATE
- DIMENSIONS IN PARENTHESES ARE IN METRIC.



ENG. REF.: D35245BR_DC_FLB_03.prt

CAD FILENAME/LAYERS		G FLB.pdf	
PANDUIT CORP TINLEY PARK, ILLINOIS			
FIBER-DUCT 2x2, 4x4 AND FIBERRUNNER 2x2 WALL MOUNT "L" BRACKET (FLB, FLBM) CUSTOMER DRAWING			
UNLESS OTHERWISE SPECIFIED, DIMENSIONAL TOLERANCES ARE: (.X) ± (.XXX) ± (.XX) ± .03 (.8) ANGLES ±		UNLESS OTHERWISE SPECIFIED, ALL DIMENSIONS ARE GIVEN IN INCHES, THIRD ANGLE PROJECTION.	
DRAWN BY	TCP	MAT'L:	STEEL
DATE	11-18-96	SCALE	NONE
CHK'D	CEF	DRAWING NO.	35245-18
		DWG	A
		SIZE	A

REV	DATE	BY	CHK	DESCRIPTION	ECN	R	CUST	SUP	GMBH
-	-----	---	---	J. REVISED MATERIAL I. REVISED PART WEIGHT	-----	--	--		
-	-----	---	---	H. REVISED GENERAL NOTES G. REVISED CAD FILENAME	-----	--	--		
3	7-20-06	MSO	RN	F. REVISED DRAWING TITLE E. REVISED AND REDRAWN	35245-18	RN	RN		