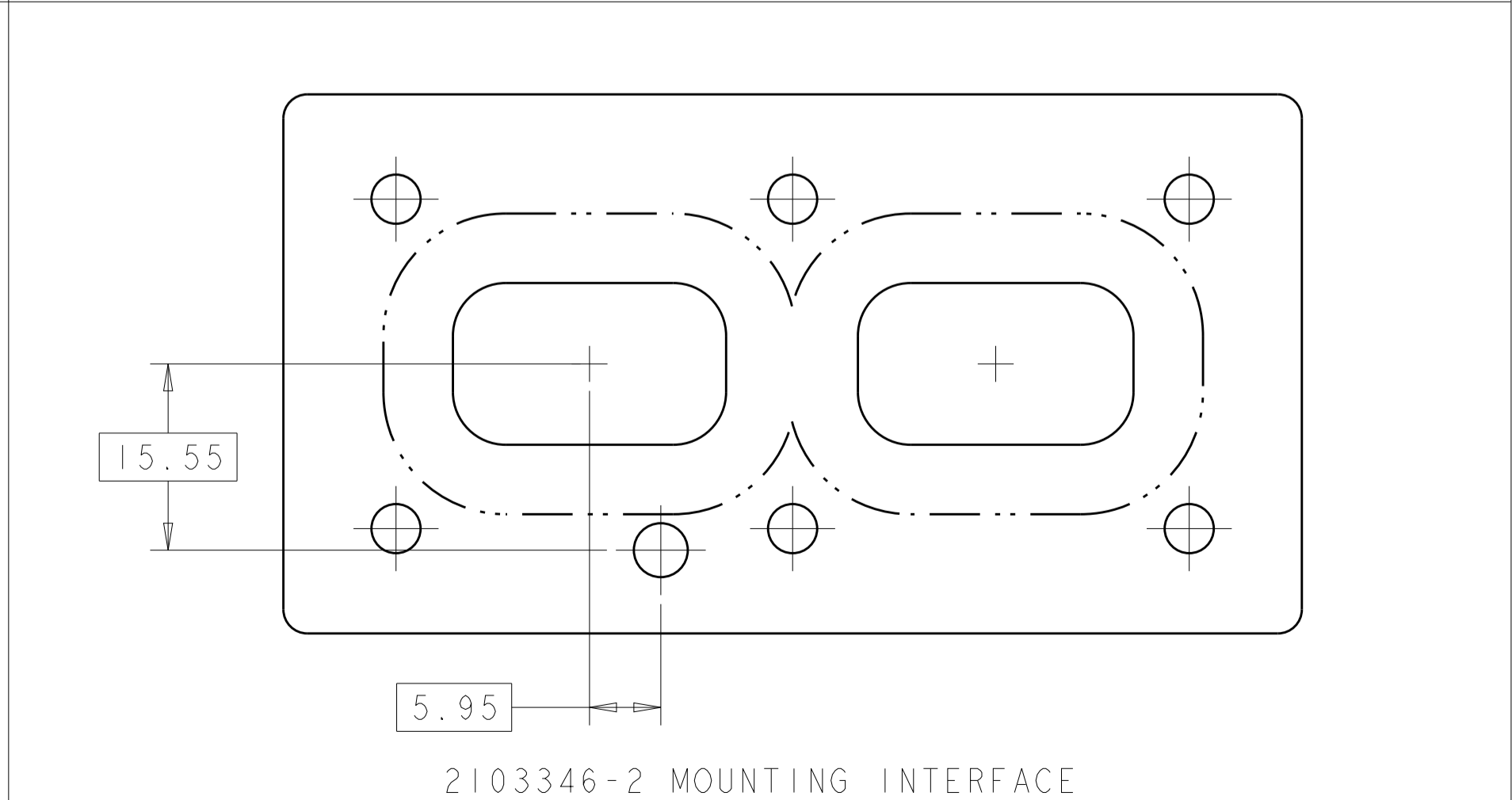
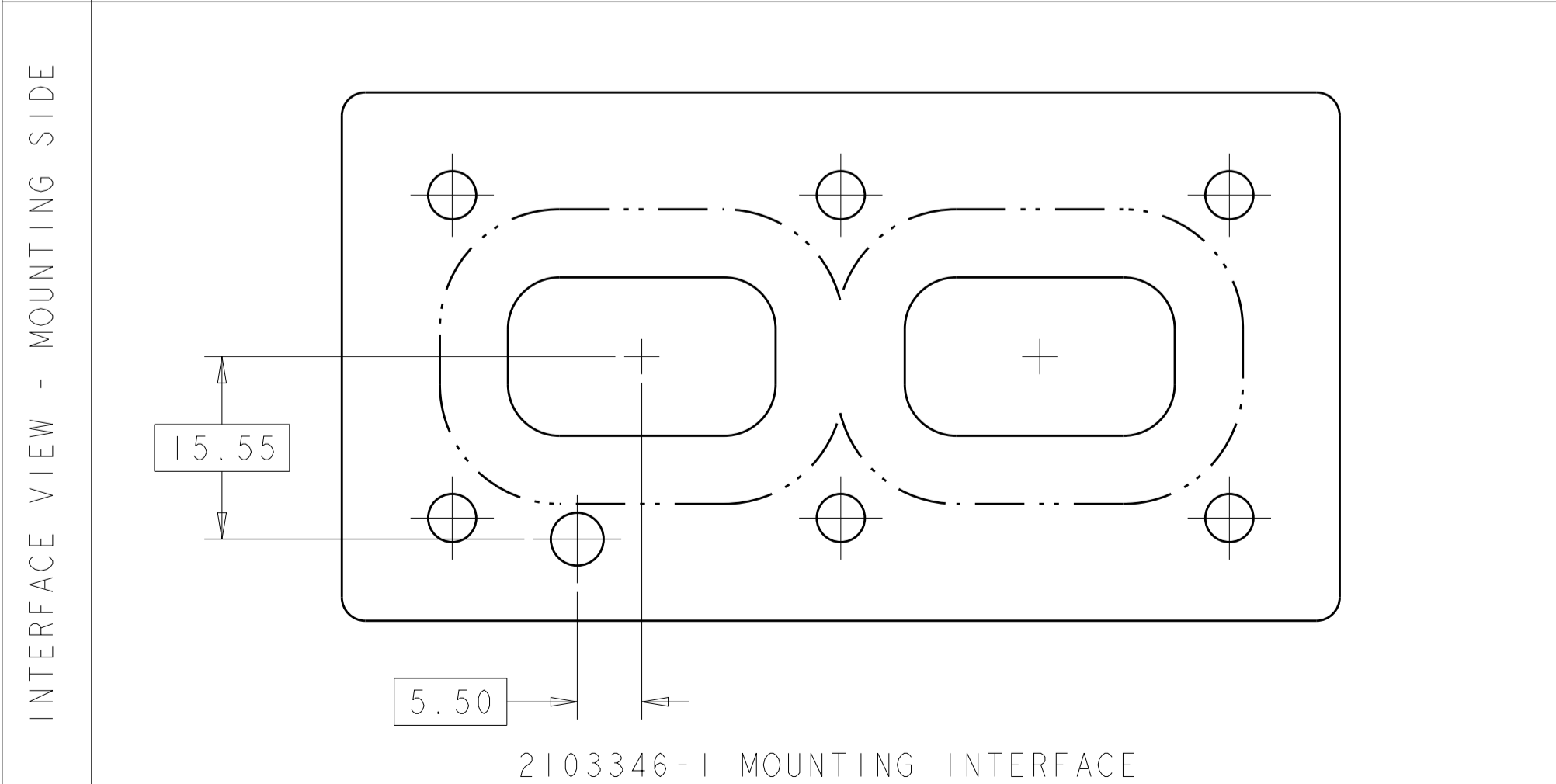
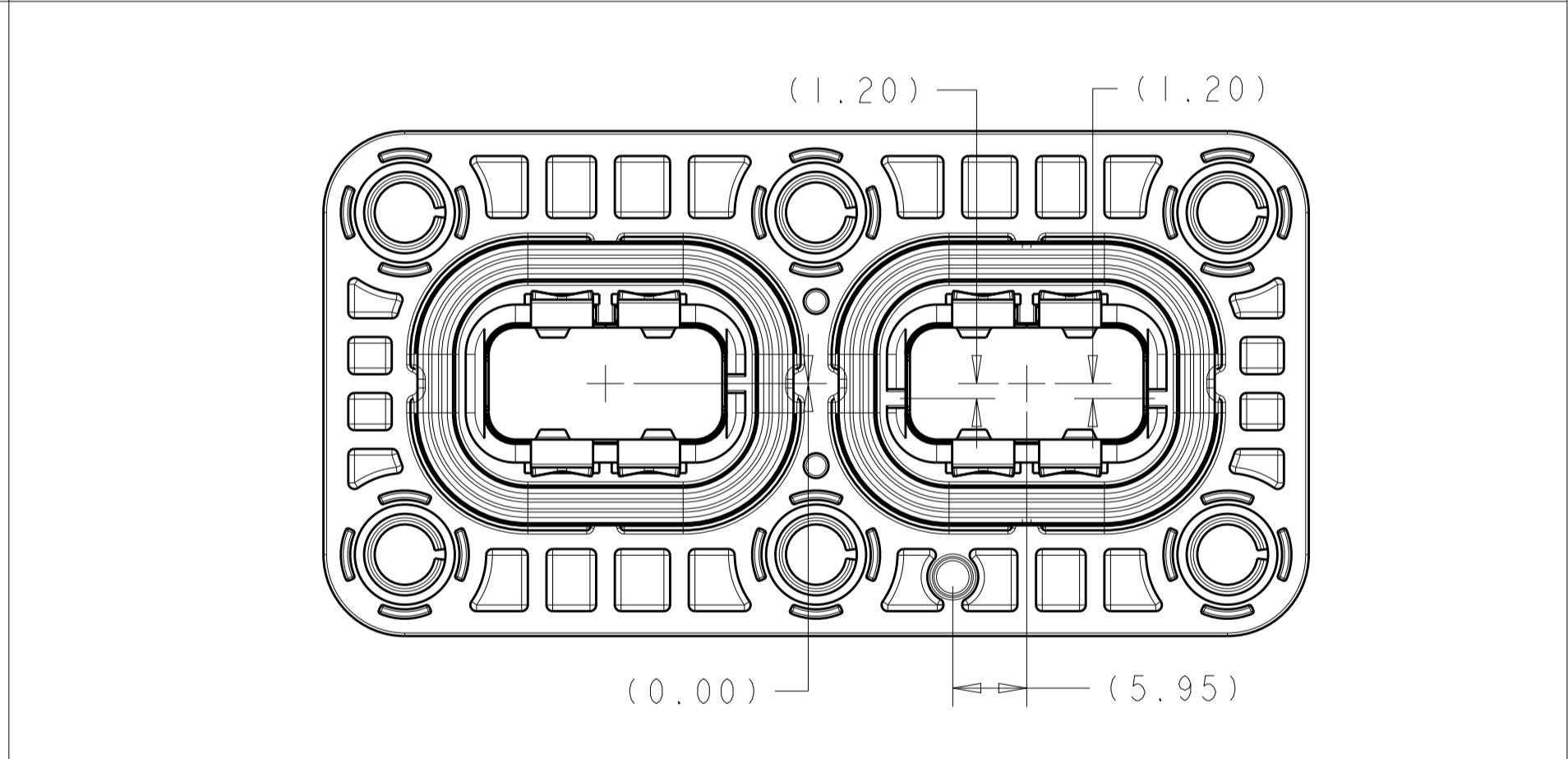
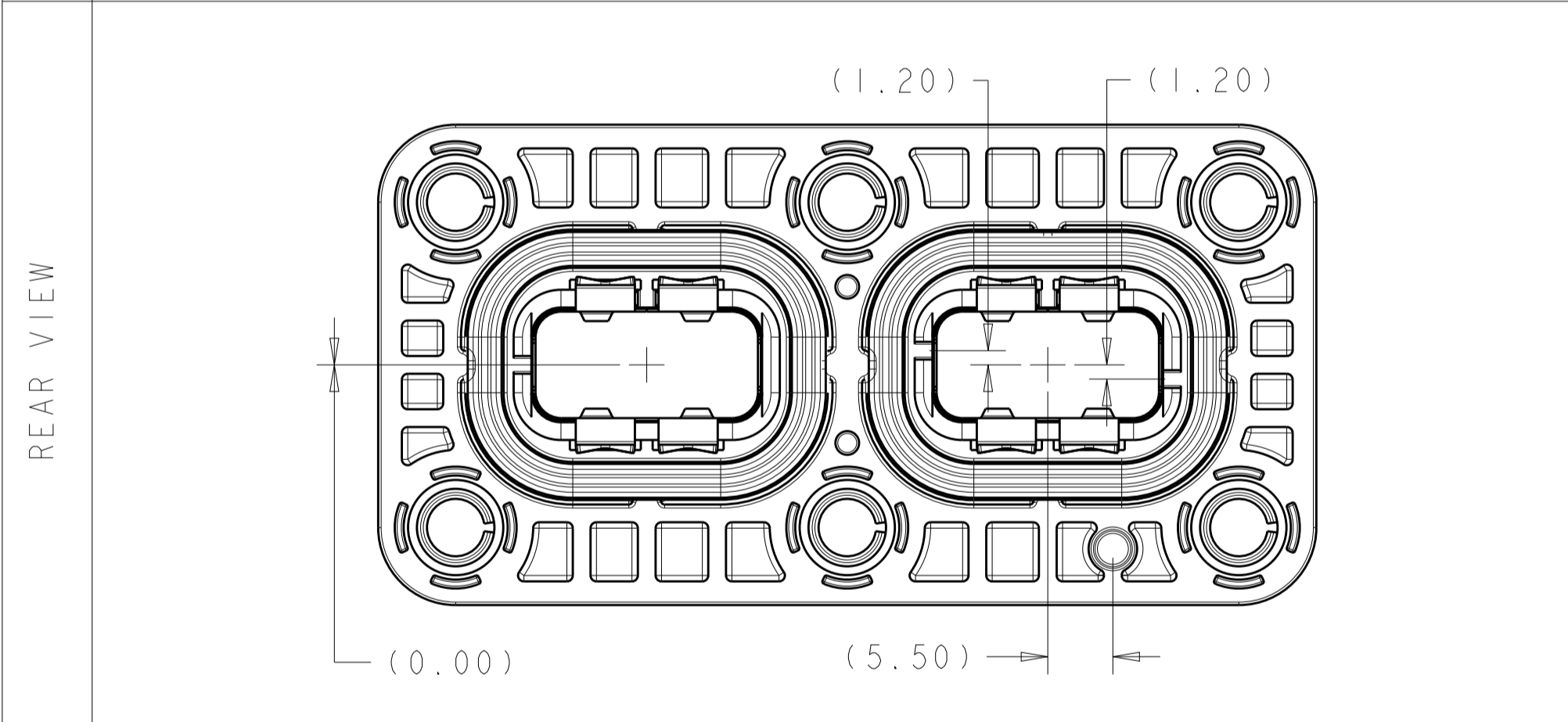
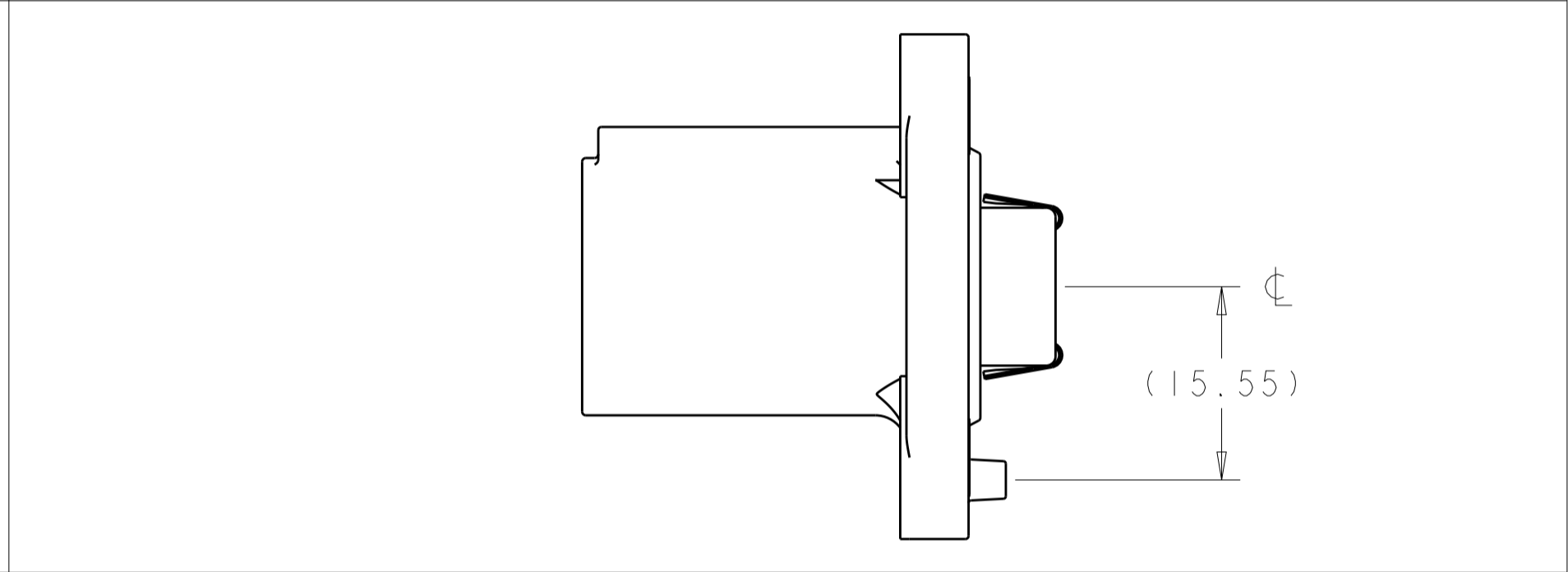
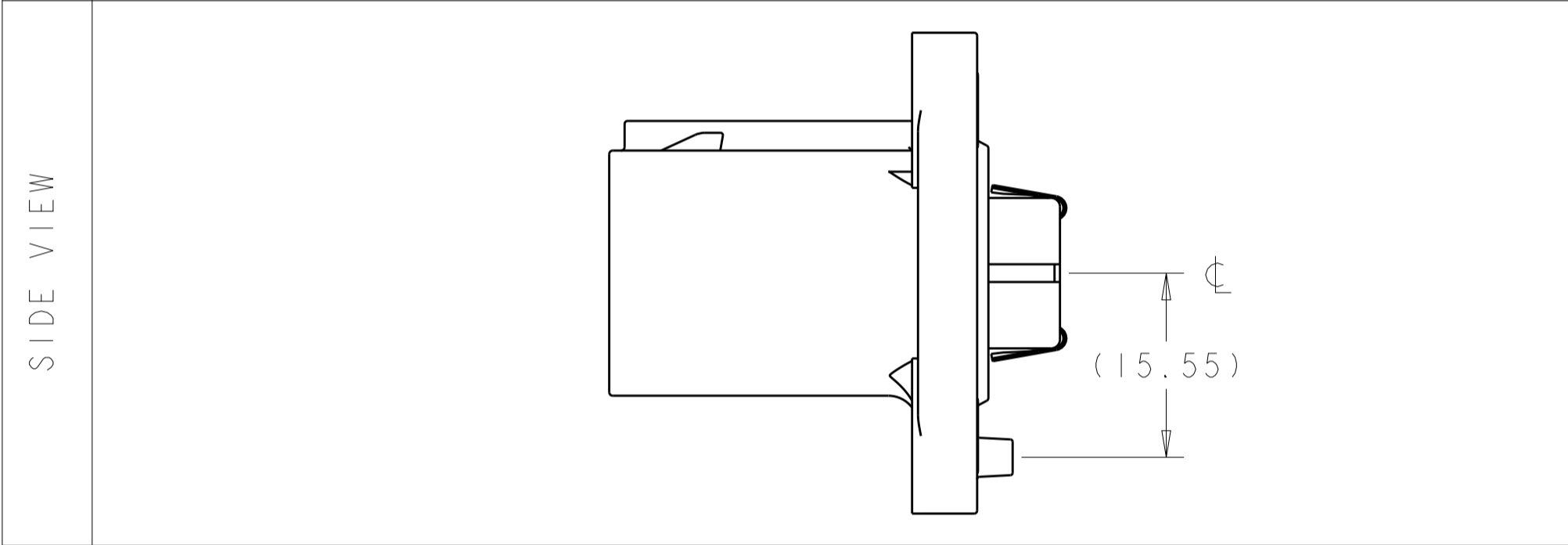
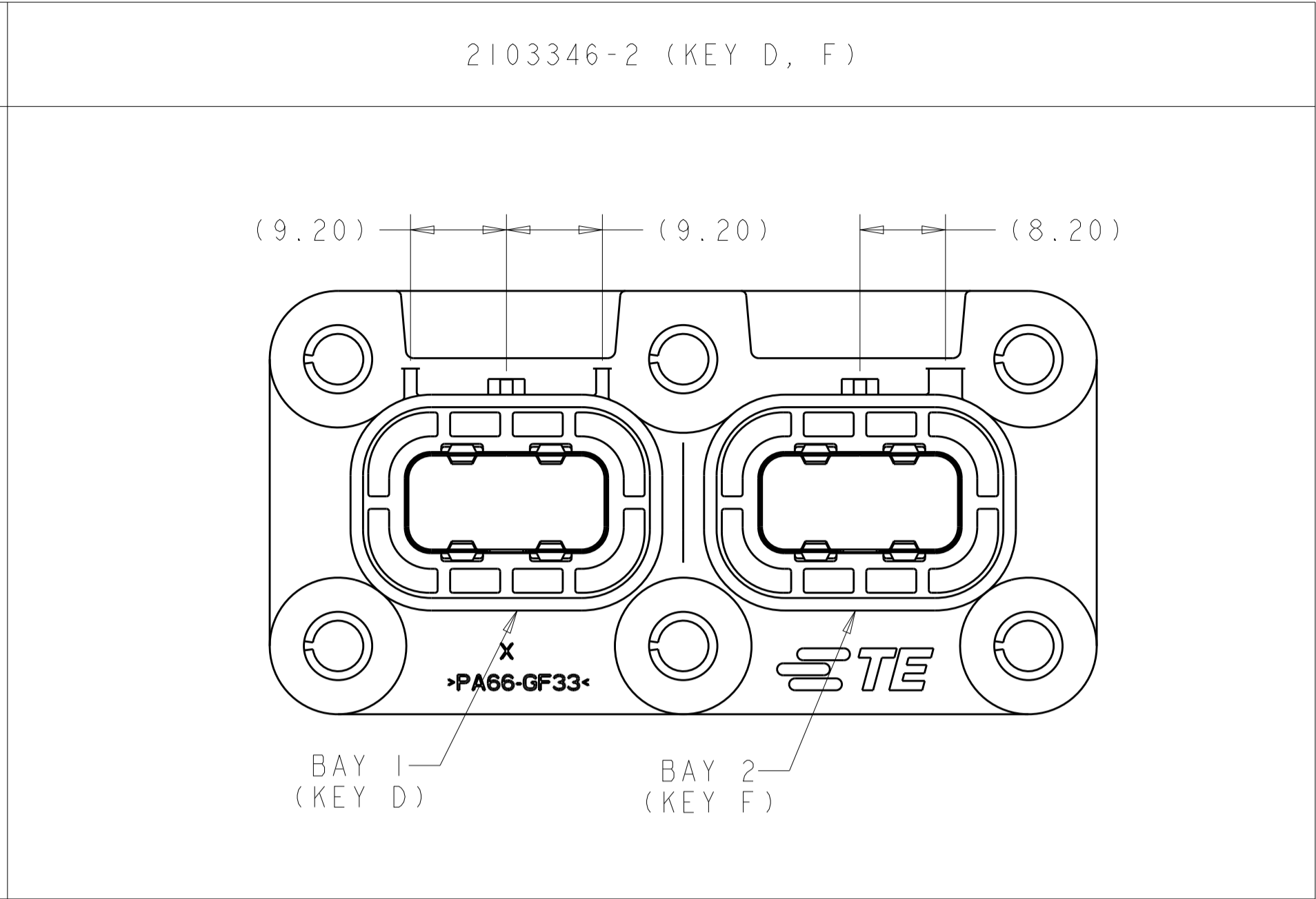
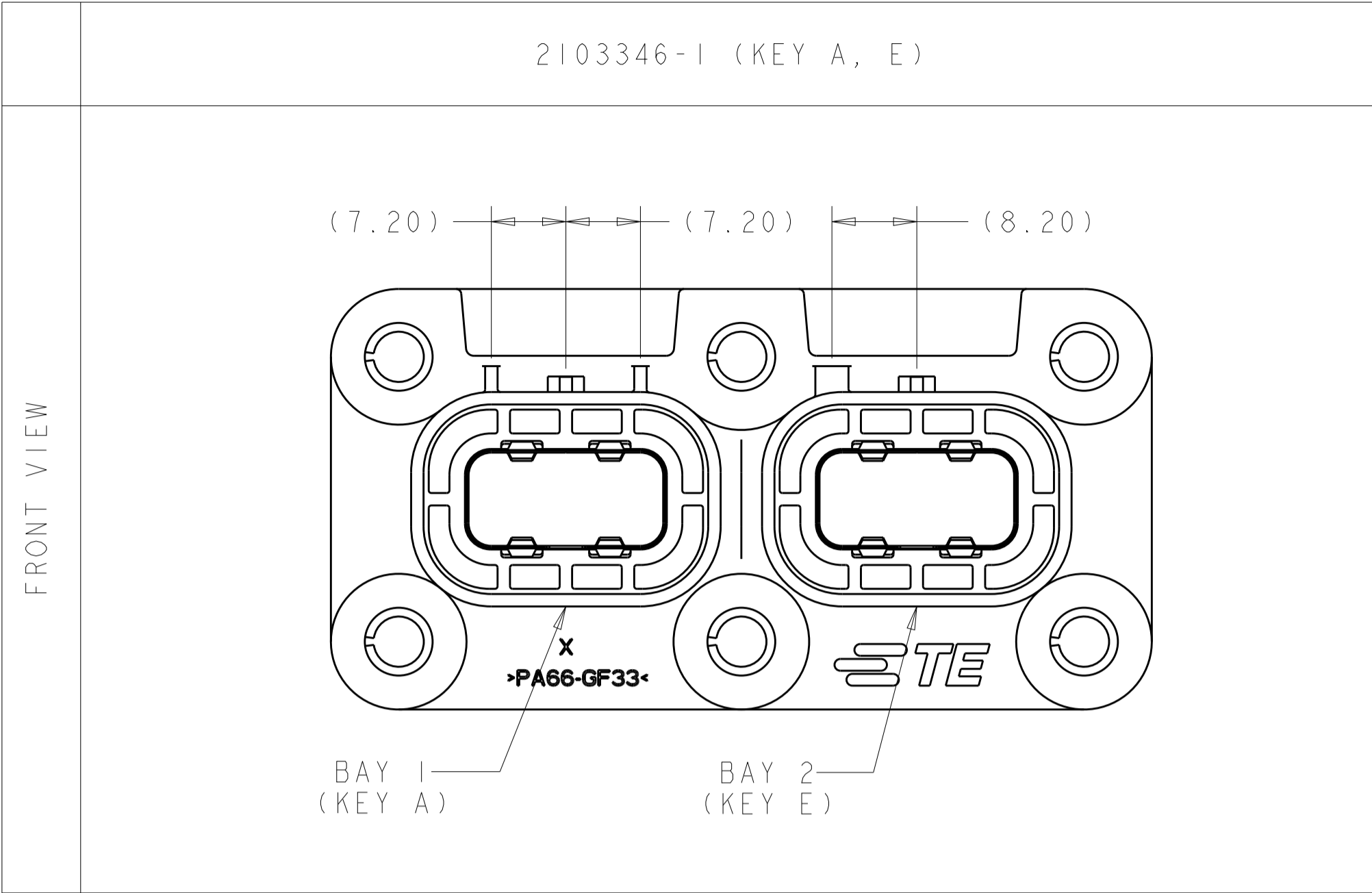


REVISIONS				
P.	LTN	DESCRIPTION	DATE	APVD
-	-	SEE SHEET 1	-	-



THIS DRAWING IS A CONTROLLED DOCUMENT.		OWN: T. DEWILTE 24APR2013	TE Connectivity NAME: HEADER ASSY, HVA280 2 BAY
DIMENSIONS: mm		CHK: T. DEWILTE 24APR2013	
TOLERANCES UNLESS OTHERWISE SPECIFIED: 0 PLC ±0.50 1 PLC ±0.50 2 PLC ±0.15 3 PLC ±0.05 4 PLC ± ANGLES ± FINISH ±		APVD: T. DEWILTE 24APR2013	
MATERIAL: -		PRODUCT SPEC: -	
WEIGHT: -		APPLICATION SPEC: -	RESTRICTED TO: -
Customer Drawing		SCALE: 1:1	SIZE: A1
SHEET 2 OF 2		REV: A	NAME: A100779C=2103346