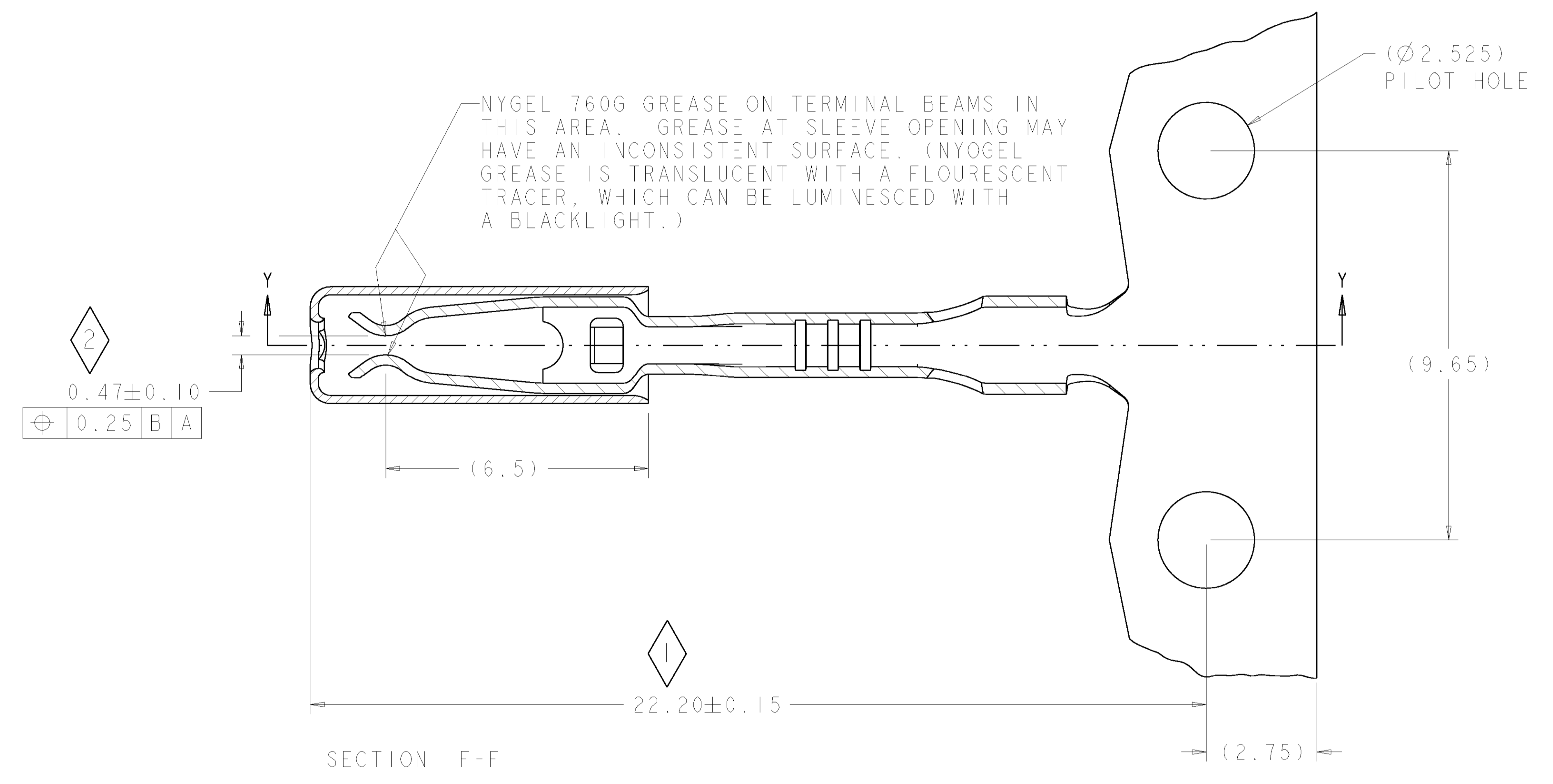
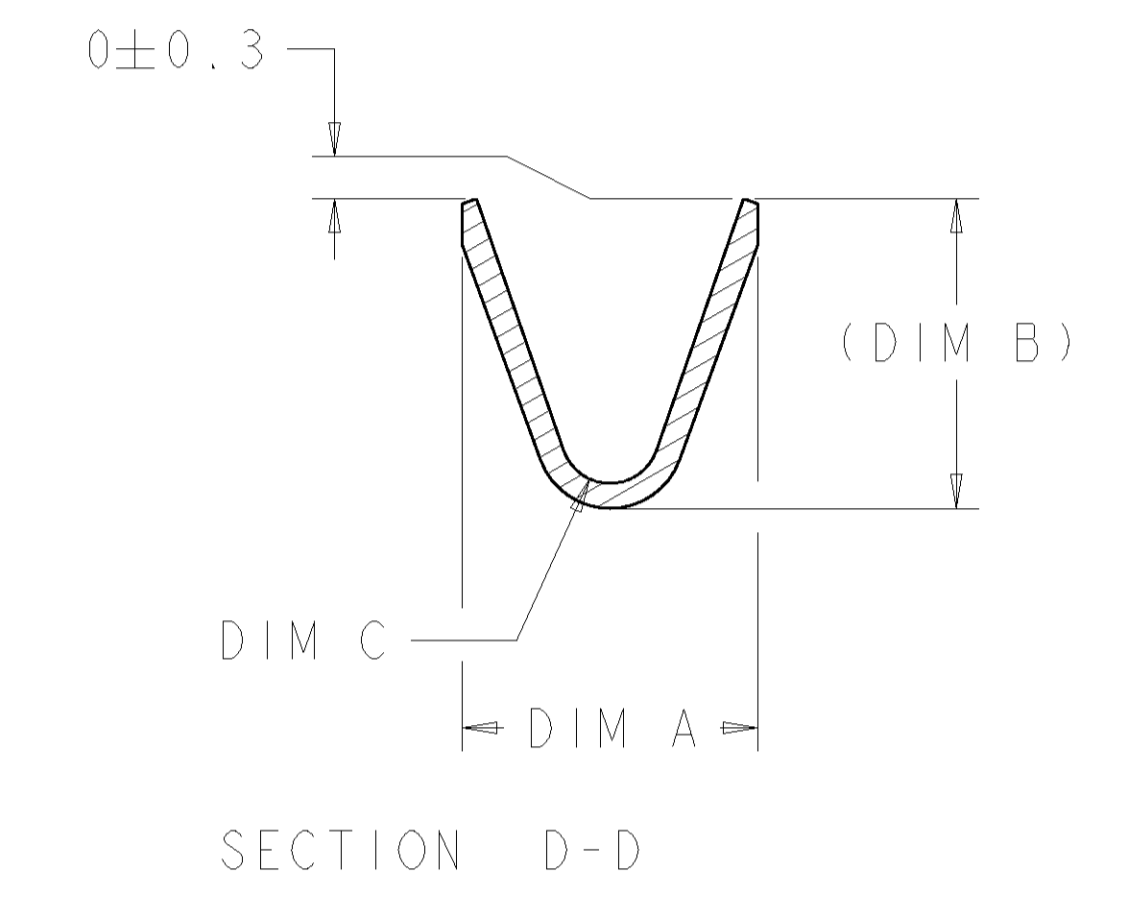
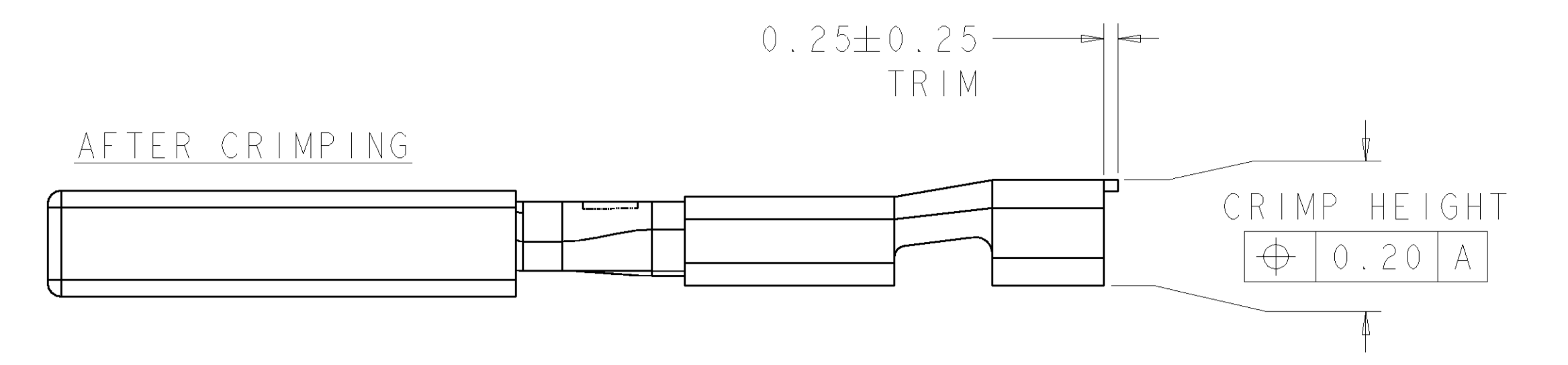
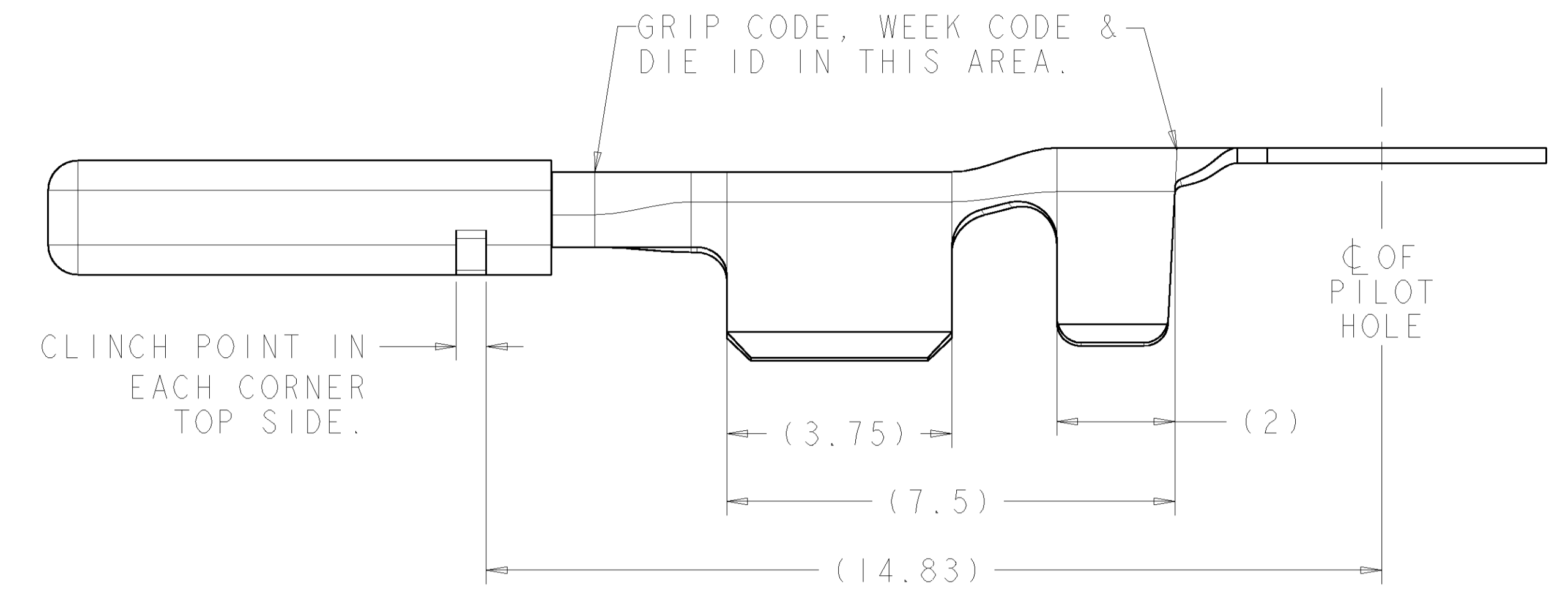
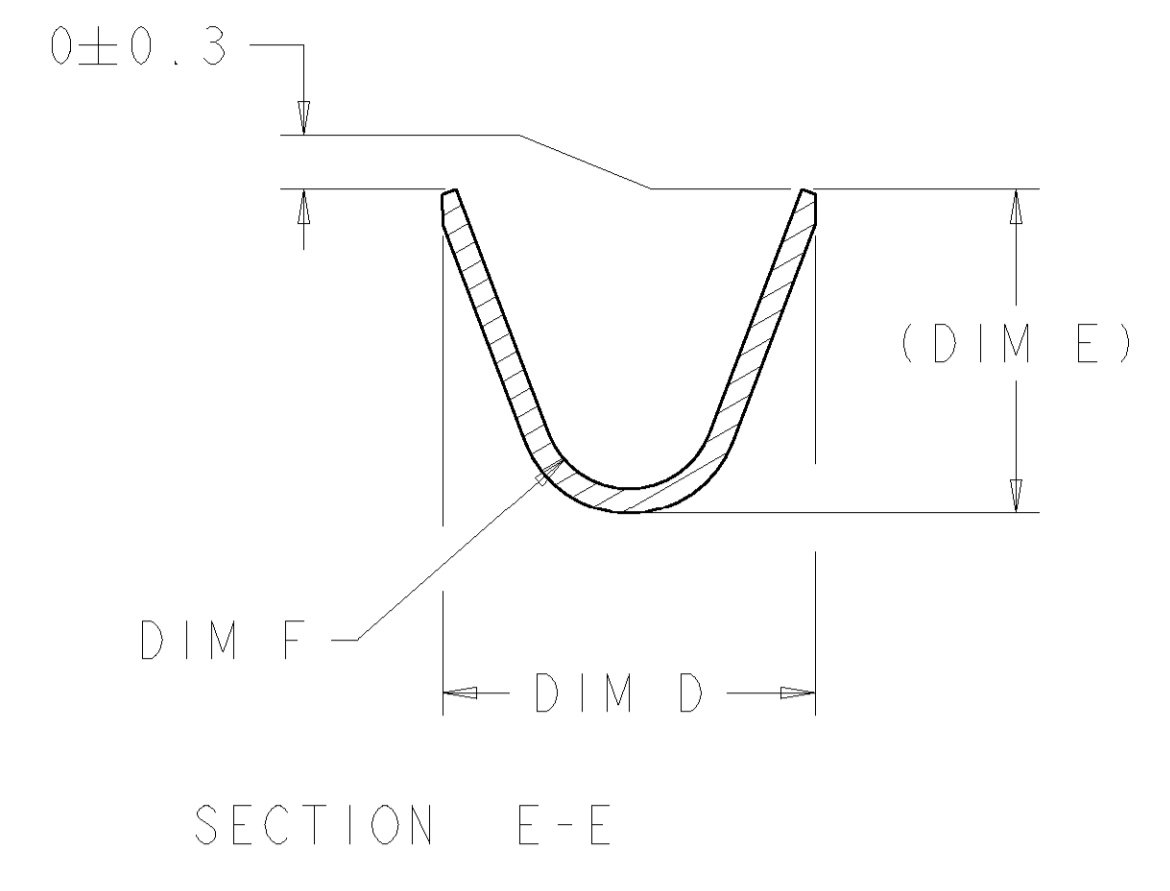
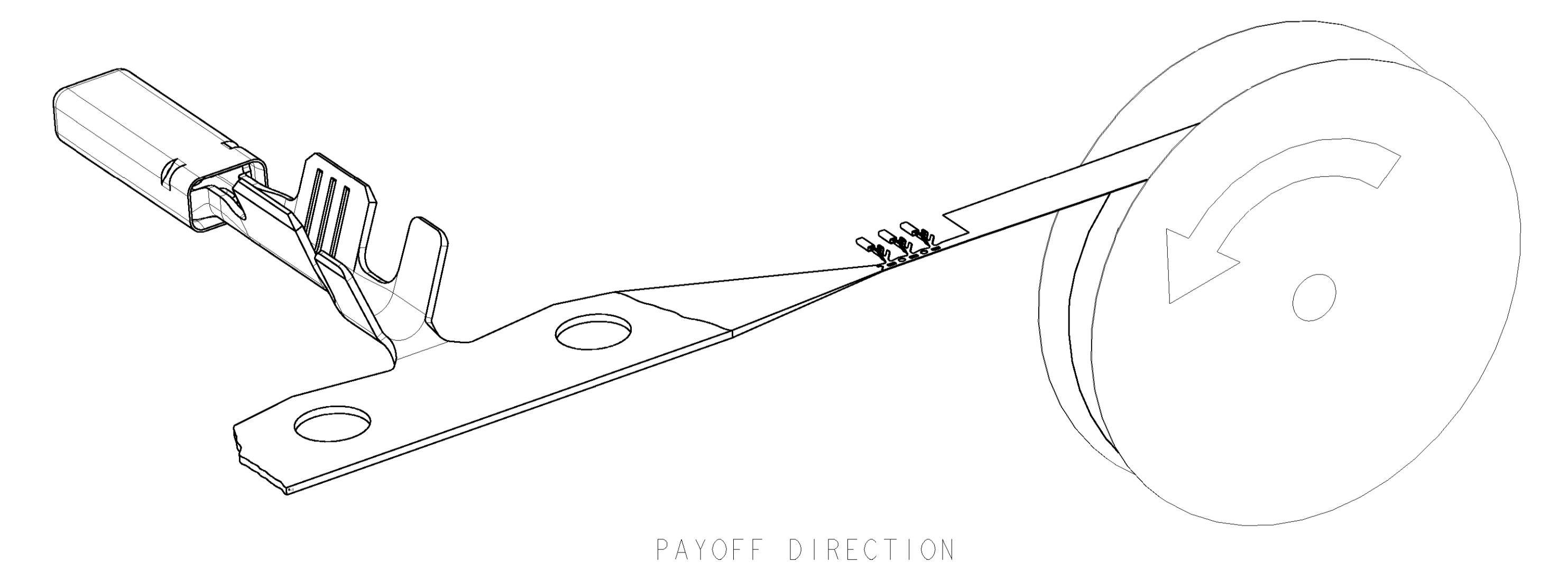
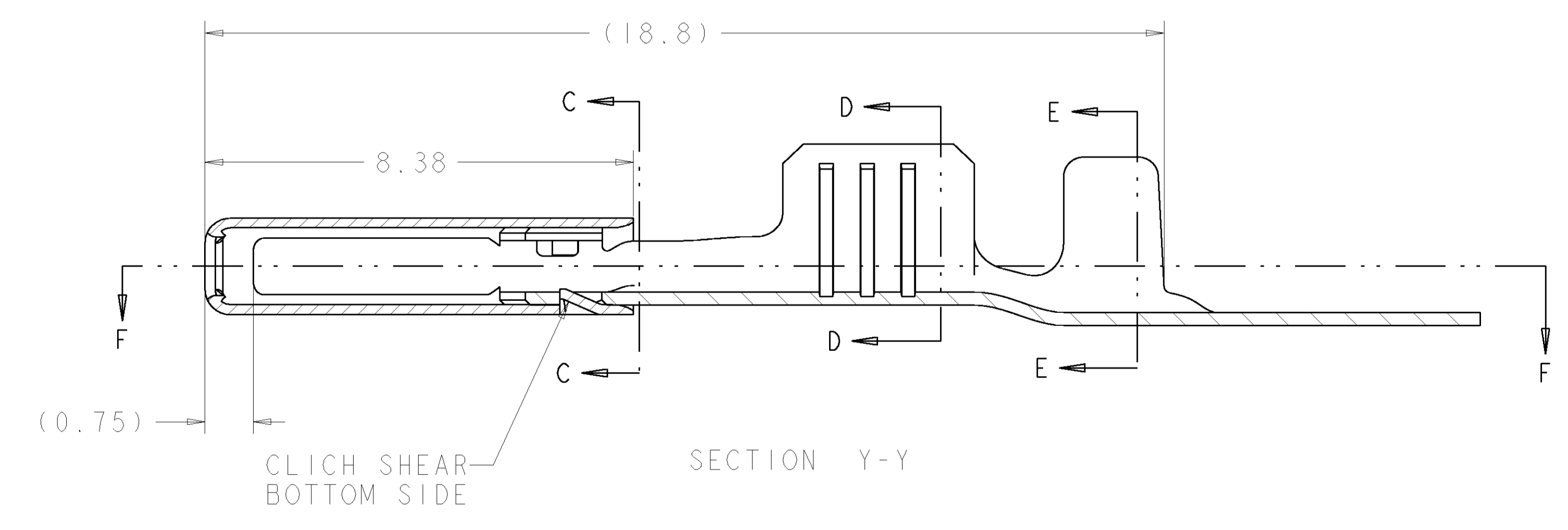
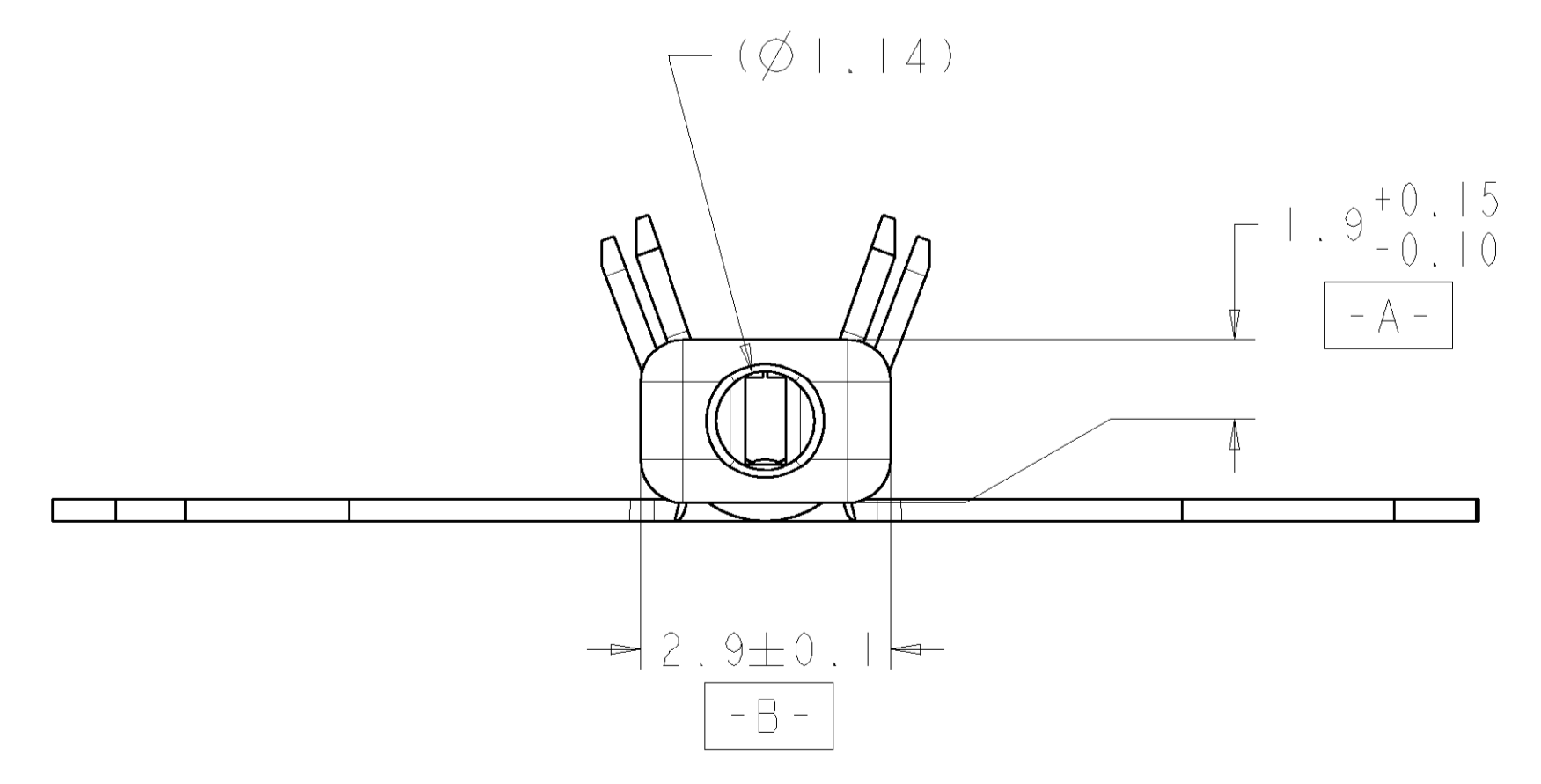
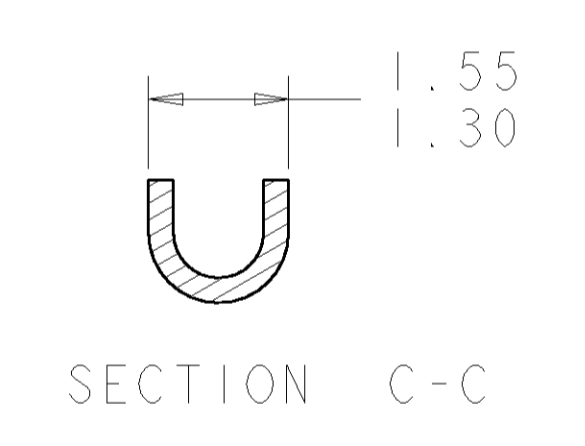


REV	DATE	BY	CHKD	APPROV
D	EC OKTS 0114-04			
E	ECR-06-017807			



- NOTES
- APPLICABLE SPECIFICATIONS
 MATERIAL STANDARDS - MS-8570, C7025 TM02, C2600 H02
 QUALITY ASSURANCE DIAMONDS - PS-7300, 2X
 AUTO ELEC CONNECTOR PERFORM STDS - PF-9600
 NGC CONNECTOR SPECIFICATION - PF-10389
 - PLATING (PRE-FORM)
 - 50 MICRO INCHES MATTE NICKEL MINIMUM UNDERPLATING PER TYCO SPECIFICATION 112-25-2.
 - 50-150 MICRO INCHES TIN IN CRIMP AREAS PER TYCO SPECIFICATION 112-65-1.
 - 15 MICRO INCHES GOLD MINIMUM IN CONTACT AREA PER TYCO SPECIFICATION 112-162-5.
 - PARTS TO BE FREE OF BURRS, DIE MARKS OR ANY OTHER IMPERFECTIONS WHICH COULD AFFECT PART FUNCTION.
 - PLATING TO BE FREE OF ORANGE PEEL OR ANY OTHER IMPERFECTION DUE TO DIE OR HANDLING WHICH COULD ADVERSELY AFFECT PART FUNCTION.
 - PART TO BE FREE OF SHARP EDGES WHICH COULD TEAR THE SEAL DURING SUBSEQUENT OPERATIONS.
 - TERMINAL SLEEVE MUST WITHSTAND 100 NEWTONS PULL-OFF FORCE AND NOT BE DISPLACED BY MORE THAN 0.20MM.
 - DAIMLER/CHRYSLER DEVIATION TO PF-9600 SECTION 5.2.2, TERMINAL BEND RESISTANCE TO BE 9.0N MINIMUM.
 - NORMAL FORCE TO BE MONITORED AND CONTROLLED IN ACCORDANCE WITH TYCO ELECTRONICS QUALITY INSPECTION PLAN.
 - 22 GAUGE WIRE IS NOT APPROVED FOR USE ON NGC FEMALE CONNECTOR ASSEMBLIES.
 - DAIMLER/CHRYSLER DEVIATION TO PF-10389 SECTION 5.5.2 - CONTACT DISENGAGEMENT FORCE TO BE 0.40 - 1.20 N.



CHRYSLER PART NUMBER	TYCO PART NUMBER	CONTACT VERSION	SLEEVE PLATING TYPE	WIRE SIZE (MS-7889, MS-8288 OR MS-9502)	INSULATION CRIMP		CONDUCTOR CRIMP			GRIP DIMENSIONS						
					CRIMP WIDTH	CRIMP HEIGHT	CRIMP WIDTH	CRIMP HEIGHT	STRIP LENGTH	GRIP CODE	A	B	C	D	E	F
04608783AA-18	1456004-1	GOLD	UNPLATED	16	2.75	2.15	2.05	1.32	4.8-5.6	18 AWG	3.0	3.1	Ø1.00	3.8	3.25	Ø1.75
04608783AA-18	1456004-1			18	2.10	1.15										
04608783AA-20	1456004-2			20	2.0	1.95	1.60	1.05								

TOLERANCE OF ±0.3 FOR ALL GRIP DIMENSIONS

DATE: 20MAY2004	BY: R. PETROSALI	CHKD: R. PETROSALI	APPROV: R. PETROSALI	TYCO ELECTRONICS
PRODUCT SPEC: 114-13039	APPLICATION SPEC: 114-13039	REVISION: --	SCALE: --	SHEET: 1 OF 1
CUSTOMER DRAWING				USCAR GOLD 1mm TERMINAL