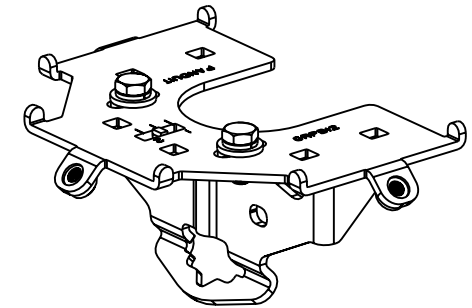
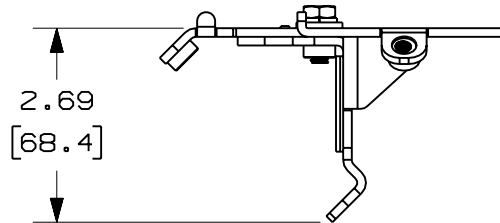
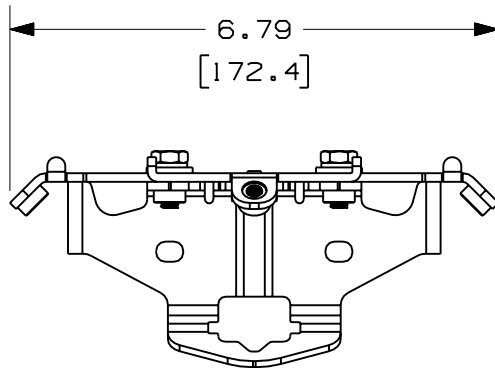
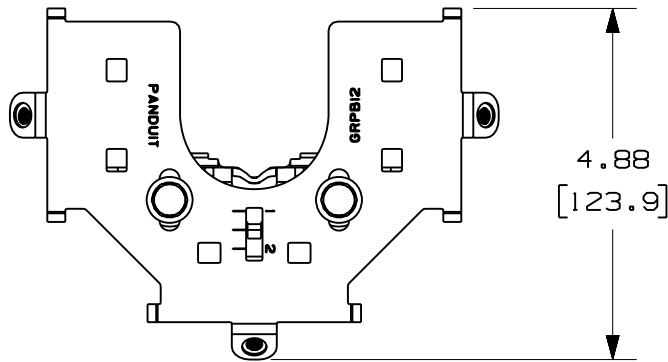


THIS COPY IS PROVIDED ON A RESTRICTED BASIS AND IS NOT TO BE USED IN ANY WAY DETRIMENTAL TO THE INTERESTS OF PANDUIT CORP.

PANDUIT PART NUMBER	WEIGHT
GRPBI2PG	0.98 LB/EACH (445g/EACH)

NOTES:

1. SEE CURRENT CATALOG FOR ADDITIONAL PART SUFFIXES TO INDICATE PACKAGE QUANTITY.
2. THE GRIDRUNNER UNIVERSAL PEDESTAL BRACKET IS USED TO SUPPORT THE GRIDRUNNER UNDERFLOOR CABLE ROUTING SYSTEM FROM 1" (25.4) - 2" (50.8) DIAMETER ROUND FLOOR PEDESTALS.
3. THE GRIDRUNNER UNIVERSAL PEDESTAL BRACKET INCLUDES:
ONE (1) BRACKET ASSEMBLY,
ONE (1) 1/4-20 U-BOLT,
TWO (2) 1/4-20 HEX SERRATED FLANGE NUTS.
4. DIMENSIONS IN PARENTHESES ARE IN METRIC.



ENG. REF.: D39648B1_DC/00 GRPBI2PG

CAD FILENAME/LAYERS		GRPBI2PG.pdf	
<h1>PANDUIT</h1> CORP TINLEY PARK, ILLINOIS GRIDRUNNER UNIVERSAL PEDESTAL BRACKET (GRPBI2PG) CUSTOMER DRAWING			
UNLESS OTHERWISE SPECIFIED, DIMENSIONAL TOLERANCES ARE: (.X) ± (.XXX) ± (.XX) ± .03 (.8) ANGLES ±		UNLESS OTHERWISE SPECIFIED, ALL DIMENSIONS ARE GIVEN IN INCHES, THIRD ANGLE PROJECTION.	
DRAWN BY	MAT'L:	SCALE	
MSO	PRE-GALVANIZED STEEL	NONE	
DATE		DRAWING NO.	DWG
12-17-08		39648-09	A
CHK'D			SIZE
DJWA			

REV	DATE	BY	CHK	DESCRIPTION	ECN	R	CUST	SUP	GMBH
R	12-17-08	MSO	DJWA	RELEASED TO PRODUCTION	39648-09	RN	RN		