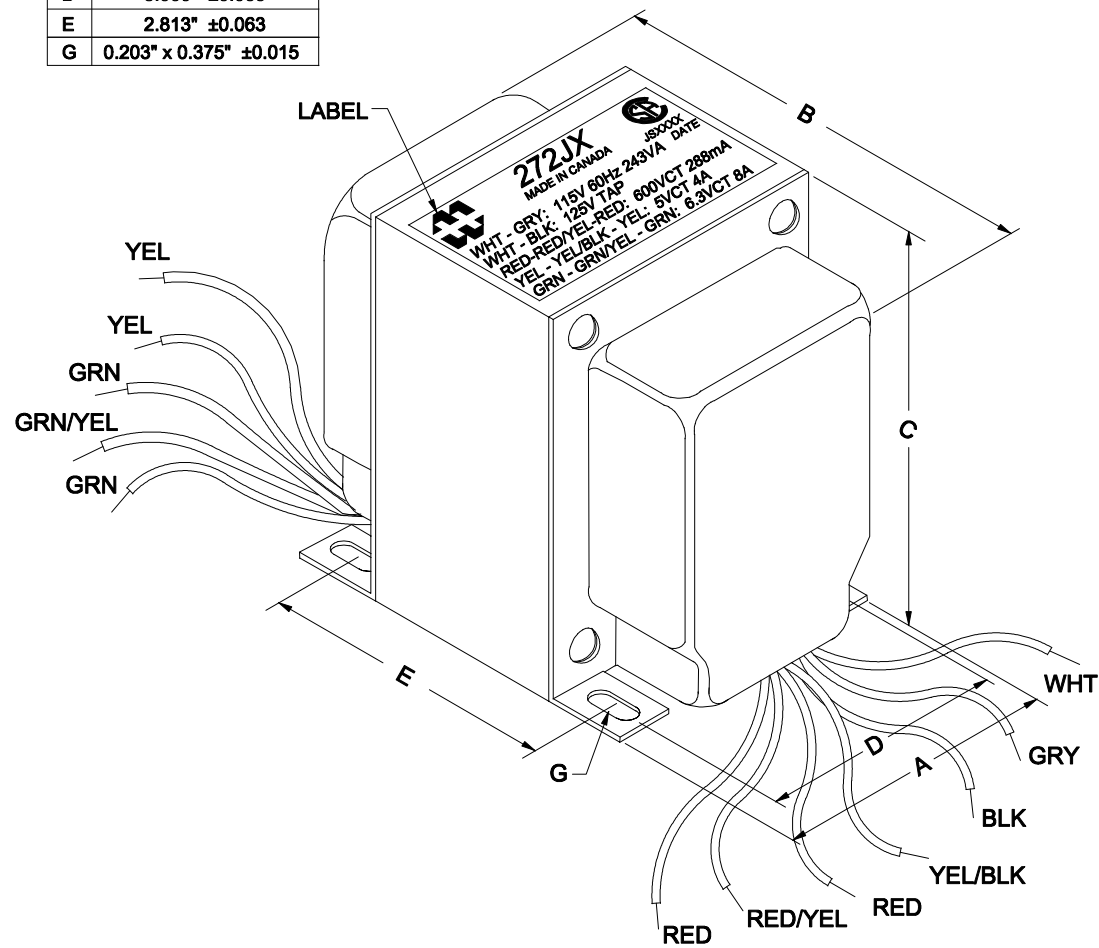
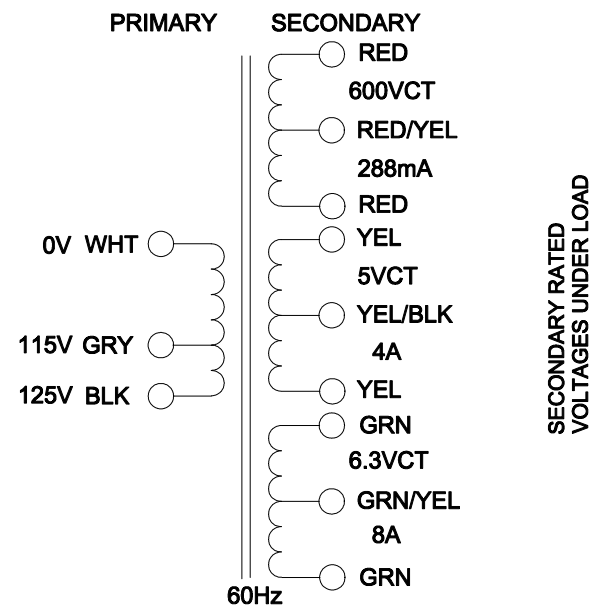


| DIMENSIONS: |                        |
|-------------|------------------------|
| A           | 3.750" ±0.063          |
| B           | 3.936" ±0.125          |
| C           | 4.560" ±0.063          |
| D           | 3.000" ±0.063          |
| E           | 2.813" ±0.063          |
| G           | 0.203" x 0.375" ±0.015 |



NOTE: ALL LEADS 6" OUT MIN. STRIPPED 0.5"



| ELECTRICAL DATA: |                                 |                     |
|------------------|---------------------------------|---------------------|
| TESTS            | CONDITIONS                      | ACCEPTANCE CRITERIA |
| Iex              | @ 125V, 60Hz, WHT - BLK         | 416.4mA Max.        |
| Sec. N.L.V       | @ 125V, 60Hz, WHT - BLK         |                     |
|                  | RED - RED =                     | 627.0V ±2%          |
|                  | RED - RED/YEL = RED/YEL - RED = | 313.5V ±2%          |
|                  | YEL - YEL =                     | 5.456V ±2%          |
|                  | YEL - YEL/BLK = YEL/BLK - YEL = | 2.728V ±2%          |
|                  | GRN - GRN =                     | 6.944V ±2%          |
|                  | GRN - GRN/YEL = GRN/YEL - GRN = | 3.472V ±2%          |
| DCR              | @ 20°C, WHT - BLK =             | 0.991 Ω ±20%        |
|                  | @ 20°C, RED - RED =             | 47.27 Ω ±20%        |
|                  | @ 20°C, YEL - YEL =             | 0.035 Ω ±20%        |
|                  | @ 20°C, GRN - GRN =             | 0.023 Ω ±20%        |
| HIPOT            | PRIMARY - SECONDARY             | 2500V, 60Hz, 1 SEC  |

| REV.# | REVISION       | DATE     |
|-------|----------------|----------|
| 0     | RELEASED. C.I. | 11/29/12 |

**HAMMOND ELECTRONIC DIVISION**  
**MANUFACTURING**  
 52 RANKIN PLACE, WATERLOO, ONTARIO, N2J 3Z5  
 PH # (519) 886-6181  
 FAX # (519) 886-9540

DWG. BY: C. ILIE      CHK'D BY:  
 DATE: 11/29/12      APP'D. BY:  
 DIMENSIONS: IN(X) MM( )

TITLE: POWER TRANSFORMER      DWG. NO. 272JX