

PSS3-24-*

SPECIFICATIONS

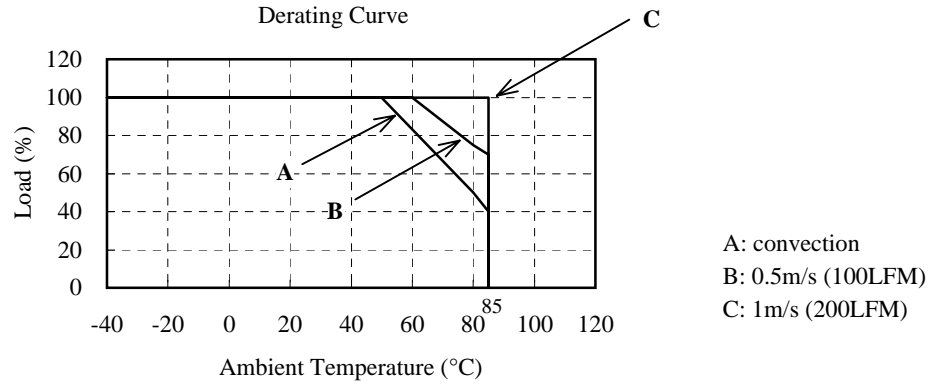
C186-01-01B

MODEL			PSS3-24-3R3	PSS3-24-5	PSS3-24-12
ITEMS					
1	Nominal Output Voltage	V	3.3	5	12 (15)
2	Maximum Output Current	A	0.6	0.6	0.25 (0.2)
3	Maximum Output Power	W	1.98	3.0	3.0
4	Efficiency (Typ.) (*1)	%	73	79	82
5	Input Voltage Range	-	18.0 ~ 36.0VDC		
6	Input Current (Typ.) (*1)	A	0.11	0.16	0.15
7	Output Voltage Accuracy (*1)	%	±5		
8	Output Voltage Range (Typ.)	V	2.84 ~ 3.67	4.3 ~ 6.0	12 ~ 15
9	Maximum Ripple & Noise (*2)	mV	100	100	120
10	Maximum Line Regulation (*3)	mV	20		
11	Maximum Load Regulation (*4)	mV	40		
12	Over Current Protection (*5)	-	Yes		
13	Over Voltage Protection	-	No		
14	Parallel Operation	-	-		
15	Remote ON/OFF Control	-	Yes		
16	Series Operation	-	Possible		
17	Operating Temperature (*6)	-	-40°C ~ 85°C		
18	Operating Humidity	-	5% - 95%RH (No Dewdrop)		
19	Storage Temperature	-	-40°C ~ 85°C		
20	Storage Humidity	-	5% - 95%RH (No Dewdrop)		
21	Cooling	-	Convection Cooling / Forced air cooling		
22	Temperature Coefficient (%)	-	Less than 0.02%/°C		
23	Withstand Voltage	-	Input-Output, Input-Case : 500VAC for 1min (20mA)		
24	Isolation Resistance	-	More than 100MΩ at 25°C and 70%RH Output-Case : 500VDC		
25	Vibration	-	At No Operating, 10-55Hz Amplitude (Sweep for 1min.) 1.52mm Constant (Maximum 88.3m/s ²) X,Y,Z 2 hour each		
26	Shock	-	196.1m/s ²		
27	Weight (Typ.)	g	5		
28	Size (WxHxD)	mm	26.0 x 8.0 x 16.0 (Refer to Outline Drawing)		

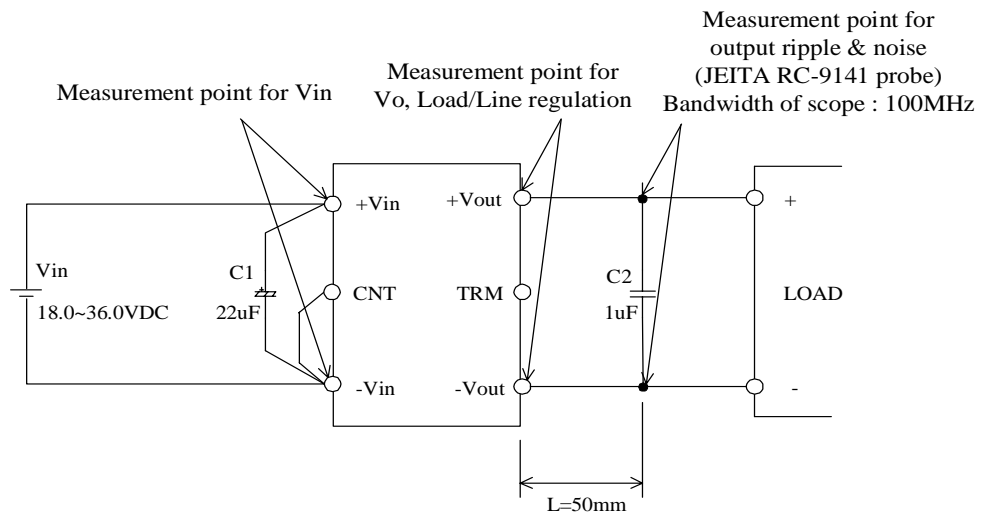
= NOTES =

- *1. At 24VDC and maximum output power and Ta=+25°C.
- *2. This is specified at the output terminals by JEITA RC-9141 measuring method.
- *3. From 18.0 ~ 36.0VDC, constant load.
- *4. From No load - Full load, constant input voltage.
- *5. Constant current limiting with automatic recovery.
Avoid to operate over load or dead short for longer than 30 sec.
(Refer to instruction manual for details.)
- *6. Rating - Refer to derating curve (C186-01-02_).
- Load(%) is percent of maximum output current.

1. DERATING CURVE



2. BASIC CONNECTION



==NOTES==

- *1. Put input capacitors.
C1: 22 μ F
- *2. Put output capacitors.
C2: 1 μ F ceramic capacitor.
- *3. Refer to instruction manual for further details.