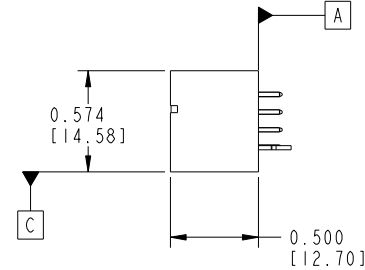
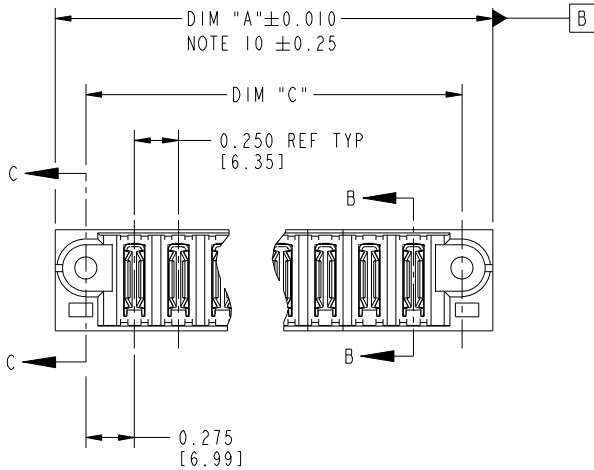
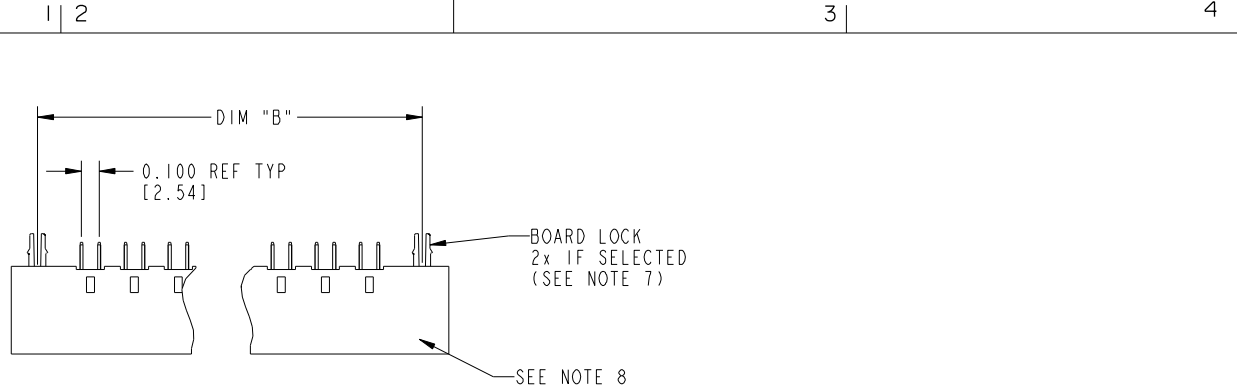


Tous droits strictement réservés. Reproduction ou communication à des tiers interdite sous quelque forme que ce soit sans autorisation écrite du propriétaire. Propriété de c.FCI. Droits de reproduction FCI.



All rights strictly reserved. Reproduction or issue to third parties in any form whatever is not permitted without written authority from the proprietor. Property of FCI. Copyright FCI.

PRODUCT NUMBER  
51703-ABB00000EF\_\_  
Note: ①  
SEE NOTE 1



mat'l code				SEE NOTE 2		tolerances unless otherwise specified		CUSTOMER		FCI		
ltr	ecn no.	dr	date	linear	.XX±.01/.X±.3	projection	COPY		www.fciconnect.com			
A	V11839	JRW	07/09/01	angles	.XXX±.005/.XX±.13	INCH/MM		title		VERTICAL HEADER w/GUIDE PIN POWER		
B	V12500	DAI	10-16-01		.XXX±.0020/.X±.051	scale		product family		PWRBLADE code		
C	V12513	DAI	11-07-01		0°±2°	1:1		size		213		
D	V21104	TAB	09-24-02	dr	JRW	10-16-01	A		dwg no		51703	
E	DG05-0132	SJ	06/02/05	enr	J.ALLISON	10-16-01			sheet		1 of 3	
F	DG05-0193	SJ	06/24/05	chr	J.ALLISON	10-16-01			cage code		22526	
G	DG08-0239	JC	09/11/08	appd	J.ALLISON	10-16-01						
sheet index		revision sheet		G	G	G						
		I 2 3										

Pro/E cage code 22526

Tous droits strictement réservés. Reproduction ou communication à des tiers interdite sous quelque forme que ce soit sans autorisation écrite du propriétaire. Propriété de c FCI. Droits de reproduction FCI.

All rights strictly reserved. Reproduction or issue to third parties in any form whatever is not permitted without written authority from the proprietor. Property of FCI. Copyright FCI.

PRODUCT NUMBER
51703-ABB00000EF_-- Note: ①
SEE NOTE 1

DIM	LENGTH FORMULAS (SEE NOTE 9)
DIM "A"	.250 [6.35] x BB + .650 [16.51] (NOTE 9)
DIM "B"	.250 [6.35] x BB + .350 [8.81]
DIM "C"	.250 [6.35] x BB + .300 [7.62]
DIM "F"	.250 [6.35] x BB + .680 [17.27]

CONNECTOR NOTES:

- ①. PRODUCT NUMBER CODE:  
51703 - A BB 000 00 E F LF  
  - NO THIS SUFFIX: 100u"/2.54um SnPb ON PCB INTERFACE
  - ADD THIS SUFFIX: 78u"/2.00um Sn ON PCB INTERFACE
  - RETENTION TO PCB (NOTE 7)
  - TAIL OPTIONS (NOTE 6)
  - ALWAYS '00' (ZERO,ZERO)
  - ALWAYS '000' (ZERO,ZERO,ZERO) (NOTE 5)
  - NUMBER OF POWER CONTACTS (NOTE 4)
  - PLATING (NOTE 3)
  - BASE NUMBER
- ②. HOUSING MATERIAL: UL94 V-0 GLASS FILLED HIGH TEMP THERMO PLASTIC  
POWER CONTACT MATERIAL: COPPER ALLOY
- ③. PLATING OPTION:  
I = SEE PRINT I0064I83 FOR PLATING SPEC OF 51703-1BB00000EF; 51703-1BB00000EFLF
- ④. POWER CONTACTS, 01 TO 20 AVAILABLE.  
MAXIMUM OF 20 POWER CONTACTS PER CONNECTOR
- ⑤. THIS PART IS NOT AVAILABLE WITH SIGNAL CONTACTS.
- ⑥. TAIL OPTIONS:  
A = 0.135 +0.015/-0.010 [3.43 +0.37/-0.25] SOLDER TO BOARD  
B = 0.165 +0.015/-0.010 [4.19 +0.37/-0.25] SOLDER TO BOARD  
C = 0.165 +0.015/-0.010 [4.19 +0.37/-0.25] PRESS FIT

- ⑦. RETENTION TO PCB OPTIONS:  
A = BOARD LOCK (REQUIRES Ø0.098 +0.002/-0.001 [2.49 +0.05/-0.03] THRU HOLE IN PCB).  
(NOT AVAILABLE WITH PRESS-FIT)  
C = NO RETENTION FEATURE
  - ⑧. MANUFACTURE'S NAME, P/N, AND DATE CODE TO APPEAR ON THIS SURFACE.
  - ⑨. THE MAXIMUM OVERALL LENGTH (DIM A) OF A PART IS 8.00 [203.2]
  - 10. PRODUCT SPECIFICATION GS-12-149
  - 11. DIMENSIONS AND TOLERANCES ARE IN ACCORDANCE WITH ASME Y14.5M, 1994 UNLESS OTHERWISE SPECIFIED.
- PCB NOTES:
- 12. ALL DIMENSIONS ARE BASIC UNLESS OTHERWISE SPECIFIED.
  - 13. ALL THROUGH HOLES ARE LOCATED WITH A TRUE POSITION OF 0.004 [0.10]
  - 14. ALL HOLE DIAMETERS ARE FINISHED HOLE SIZE.
  - 15. Ø0.098 [2.49] THROUGH HOLES ARE UNPLATED
  - 16. Ø0.0453 ±0.0010 [1.151 ±0.025] DRILLED HOLES PLATED WITH: 0.0003 [0.008] MIN SnPb OVER 0.001 [0.03] TO 0.003 [0.08] Cu PLATING TO ACHIEVE A Ø0.040±0.003 [1.02±0.07] HOLE.
  - 17. FOR PRESSFIT APPLICATION USE C1 CAM TOOL 430169-XXX.
  - 18. SYMBOL WILL BE NEXT TO ANY DIMENSION, VIEW, OR NOTE WHICH HAS BEEN MODIFIED WITH THE CURRENT DRAWING REVISION.

mat'l code SEE NOTE 2				tolerances unless otherwise specified		CUSTOMER				www.fciconnect.com	
ltr	ecn no.	dr	date	linear	.XX±.01/.X±.3	COPY			title		
G					.XXX±.005/.XX±.13	projection			VERTICAL HEADER w/GUIDE PIN POWER		
					.XXX±.0020/.X±.051				product family PWRBLADE code 213		
				angles	0°±2°	scale		size		sheet	
				dr	JRW 10-16-01	3:2		A		51703	
				enrg	J.ALLISON 10-16-01					2 of 3	
				chr	J.ALLISON 10-16-01						
				appd	J.ALLISON 10-16-01						
sheet index	revision sheet										

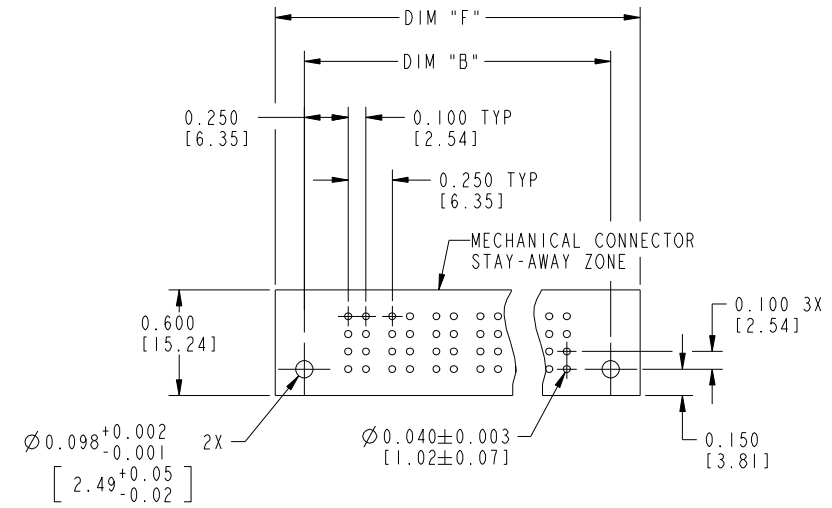
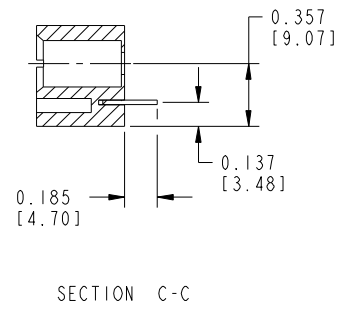
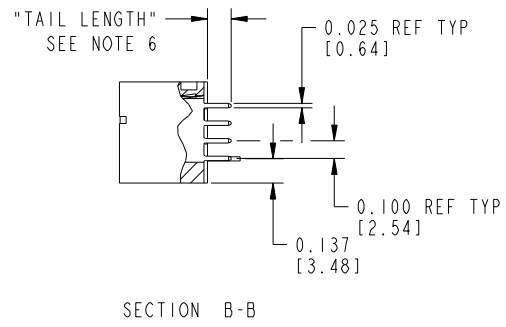
cage code 22526

Tous droits strictement réservés. Reproduction ou communication à des tiers interdite sous quelque forme que ce soit sans autorisation écrite du propriétaire. Propriété de c.FCI. Droits de reproduction FCI.



All rights strictly reserved. Reproduction or issue to third parties in any form whatever is not permitted without written authority from the proprietor. Property of FCI. Copyright FCI.

PRODUCT NUMBER
51703-ABB00000EF_--
Note: ①
SEE NOTE 1



mat'l code				SEE NOTE 2		tolerances unless otherwise specified		CUSTOMER		 www.fciconnect.com	
ltr	ecn no.	dr	date	linear	.XX±.01/.X±.3		COPY		title VERTICAL HEADER w/GUIDE PIN POWER		
6					.XXX±.005/.XX±.13		projection				
					angles	.XXX±.0020/.X±.051		 INCH/MM		product family	
				dr		JRW	10-16-01	scale		PWRBLADE	
				enr	J.ALLISON	10-16-01	1:1		code		
				chr	J.ALLISON	10-16-01	A		size		
				appd	J.ALLISON	10-16-01			dwg no		
sheet index		revision sheet						51703		213	
								3 of 3			

Pro/E

cage code 22526