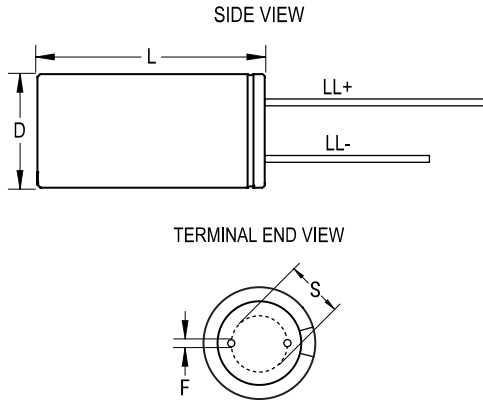


ESC, Aluminum Electrolytic, 105C LowZ, 680 uF, 20%, 10 VDC, -40/+105C, Lead Spacing = 5mm



Dimensions	
D	10mm +/-0.5mm
L	12mm +1.5mm
S	5mm +/-0.5mm
LL Negative	15mm MIN
LL Positive	20mm MIN
F	0.6mm NOM

Packaging Specifications	
Packaging:	Bulk, Bag
Packaging Quantity:	4000

General Information	
Supplier:	KEMET
Series:	ESC
Dielectric:	Aluminum Electrolytic
Description:	LowESR Single Ended Aluminum Electrolytic
Features:	Low ESR
RoHS:	Yes
Lead:	Wire Leads

Specifications	
Capacitance:	680 uF
Capacitance Tolerance:	20%
Voltage DC:	10 VDC, 13 VDC (Surge)
Temperature Range:	-40/+105C
Rated Temperature:	105C
Life:	2000 Hrs
Dissipation Factor:	14.00%
Resistance:	0.085 Ohms (100kHz)
Ripple Current:	800 mAmps (100kHz 105C)
Leakage Current:	68 uA (2min 20C)
Impedance Ratio at -25C:	3
Impedance Ratio at -40C:	6