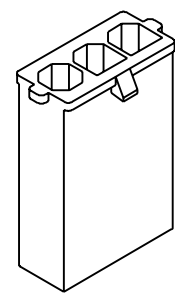
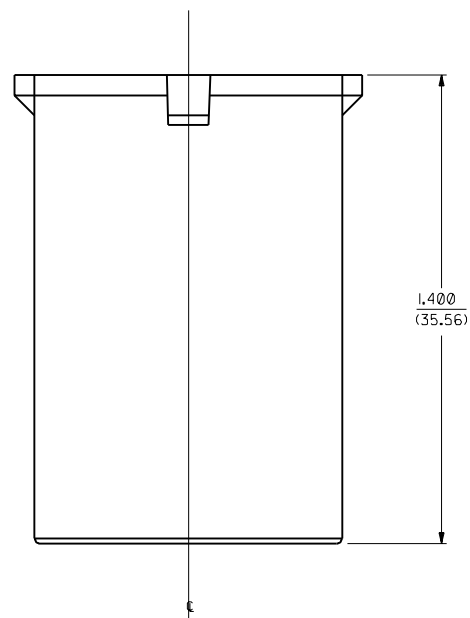
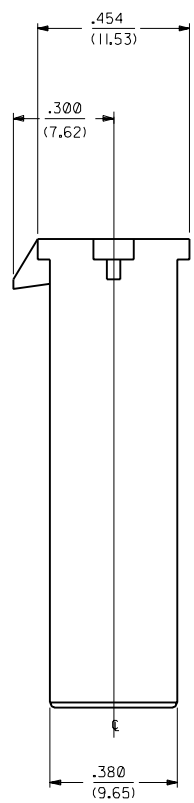
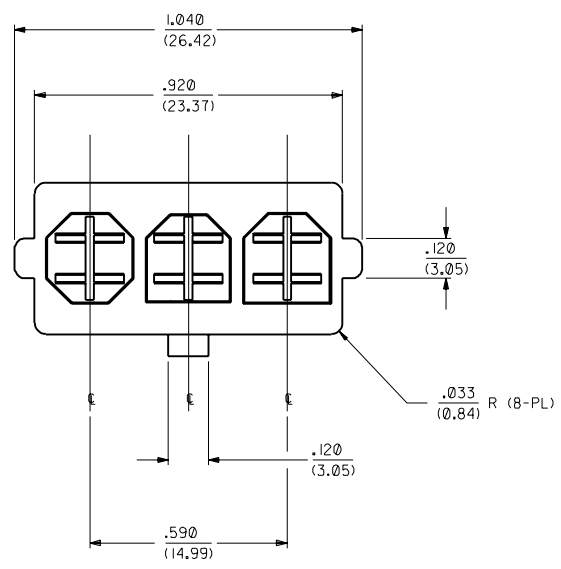


NOTES:

1. ALL DIMENSIONS ARE FOR REFERENCE ONLY.
2. MATERIAL: NYLON UL94V-2, COLOR BLACK
3. THIS CONNECTOR HOUSING FOR USE WITH 43178-**** TERMINALS.
4. THIS CONNECTOR HOUSING WILL MATE TO 43335-****3, 43179-***3 AND 44441-***3 HOUSINGS.
5. PACKAGING : PK-43180-001.



SD-43180-0023
SCALE 2:1

A	RELEASED PER LICR2001-025-4 00/09/19 ES
	REVISIONS

DIMENSIONS SHOWN (METRIC) INCH		UNLESS OTHERWISE SPECIFIED TOLERANCES: ANGULAR ± 1/2°		TITLE	
INCH		METRIC		3-CIR. PLUG HOUSING	
3 PLACE	± .005	± .125	± .020	.125/(3.18) X .020/(0.51)	
2 PLACE	± .005	± .005	± .005	FLAT BLADE SYSTEM - TPA	
1 PLACE	± .005	± .005	± .005		
DRAFT WHERE APPLICABLE MUST REMAIN WITHIN DIMENSIONS				MOLEX INCORPORATED	
DRWG. BY	ES	CHKD. BY	RE	FILE NAME	SD-43180-0023
APP'D. BY	RE	SCALE	4:1	THIS DRAWING CONTAINS INFORMATION THAT IS PROPRIETARY TO MOLEX INC. AND SHOULD NOT BE USED WITHOUT WRITTEN PERMISSION.	