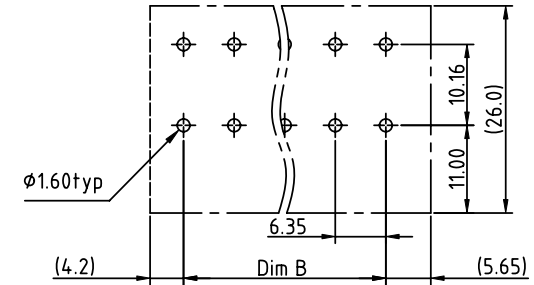
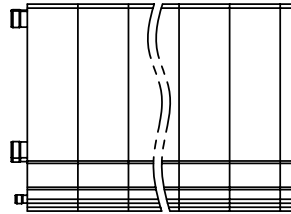


PRODUCT NUMBER	PITCH
KHxx05x100J0G	6.35 mm



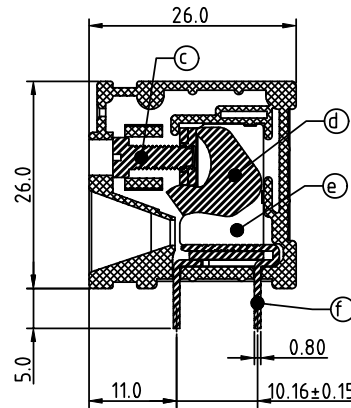
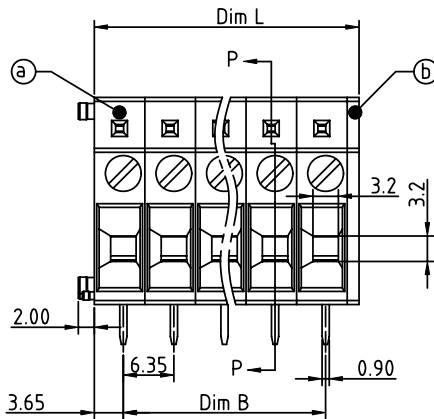
RECOMMENDED P.C.B LAYOUT
TOP VIEW

Material

- Item ① Terminal body; Thermoplastic (UL94V-0)
- Item ② Terminal cover; Thermoplastic (UL94V-0)
- Item ③ Terminal screw ;Steel Zinc plating "-" slot type
- Item ④ Firm wire chunk; Steel Zinc plated
- Item ⑤ Terminal body (metal housing); Steel, Zinc plating
- Item ⑥ Solder pin; Copper, Tin plated

Electrical cULus

- Voltage rating: 300VAC
- Current rating: 30A
- Wire range:
- Solid wire(AWG): 10-24
- Stranded wire(AWG): 10-24
- Torque(Lb-In): 4.3
- Screw: M3
- Wire strip length: 15-16mm
- Withstanding Voltage: 1.6KV
- Operating temperature: -40°C to +115°C
- Soldering temperature: 260°C±5°C/5 Sec
- Safety Approval:



SECTION P-P

N = Number of poles
Dim A = N x 6.35 + 1.5
Dim B = (N - 1) x 6.35

poles	Dim L	Dim B
1p	±0.10	±0.10
2-6p	±0.20	±0.20
7-12p	±0.30	±0.30
13-16p	±0.40	±0.40

PART NO.: KH xx 05 x 1 00J0 G

End stackable	Body Color	RoHS compliant
No. of poles	0 Black (RAL9005)	(lead<4%)
01 1 pole	2 Red (RAL3001/D)	In copper Alloy
02 2 poles	3 Orange (RAL2011/P)	
...	4 Yellow (RAL1018/A)	
16 16 poles	5 Green (RAL6018/T)	
	6 Blue (RAL5015/A)	
	8 Grey (RAL7035/D)	
	9 White (RAL1102)	
	C Green (RAL6018/U)	

mat'l. code		surface ASME Y14.5	tolerance ASME Y14.5	projection	product family
ltr ecn no dr date		tolerances unless otherwise specified			TERMINAL BLOCK
		angles	X.±0.5	MM	title
		X*±1"	X.X±0.3		TERMINAL BLOCK
			X.XX±0.1	scale	WIRE PROTECTOR, 180D WIRE INLET
		dr	EVIN ZHONG 040114		dwg no
		enr	EVIN ZHONG 040114		sheet 1 of 1
		chr	HANKE FENG 040114		size
		appd	SHI JUN 040114		A4
sheet index	revision sheet	A			type
	1				CUSTOMER Drawing