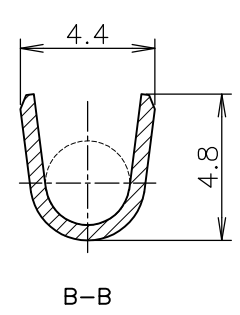
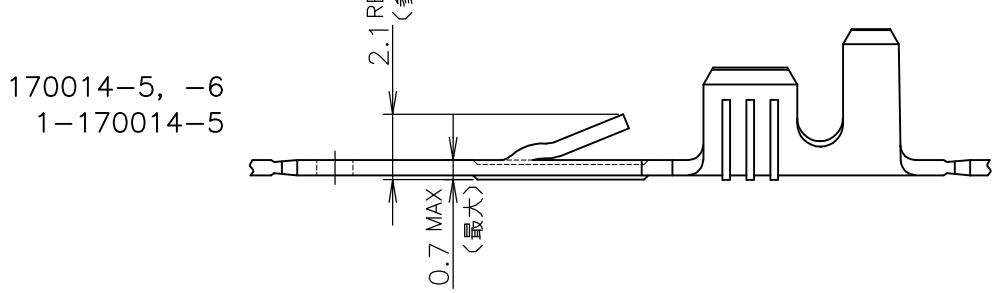
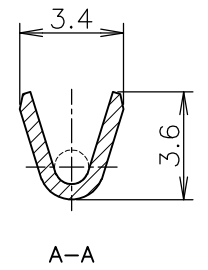
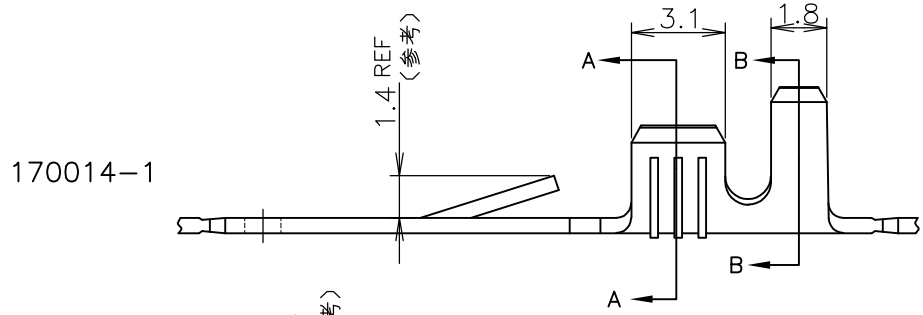
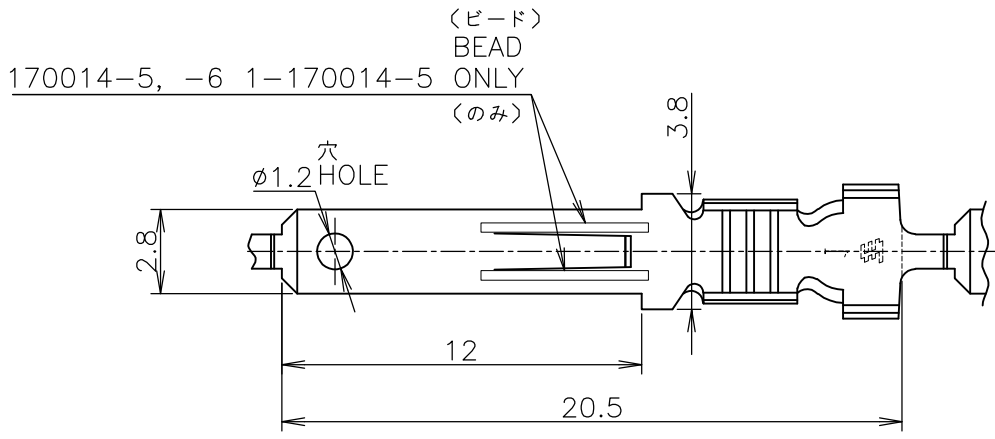


LOC J	DIST /	REVISIONS 変更			DATE	DWN	APVD
		P	LTR	DESCRIPTION			
*- *-; AS SHOWN			M1	REVISED PER ECO-11-005030	11MAR11	RK	HMR



170015-*	錫めっき済黄銅 (PRE-TIN BRASS) 0.5t	— —	170014-6	
	— —	黄銅 (BRASS) 0.5t	1-170014-5	
	— —	黄銅 (BRASS) 0.5t	170014-5	
	— —	黄銅 (BRASS) 0.5t	170041-1 170014-1	
MATING CONN PART NO. 嵌合型番	FINISH 仕上	MATERIAL 材料	L/P PART NO. ばら状端子型番	STRIP PART NO. 連鎖状端子型番

WIRE RANGE 抱合電線断面積	AWG #20-#16 0.5~1.42 mm ²	INSULATION DIA 被覆外径	2.0~3.0 mm ϕ
-----------------------	---	------------------------	-------------------

DIMENSIONS:
単位: 耗 mm

TOLERANCES UNLESS OTHERWISE SPECIFIED:
一般公差

0 PLC ±
1 PLC ±
2 PLC ± 0.4
3 PLC ±
4 PLC ±
ANGLES ±

DWN	N.YAMASAKI	29OCT2002
CHK	M.SHINDO	29OCT2002
APVD	Y.KASHIWA	29OCT2002
PRODUCT SPEC 製品規格	108-5005	
APPLICATION SPEC 取付適用規格		
WEIGHT		

TE Connectivity

NAME 110 SERIES FASTIN - FASTON TAB
110シリーズ ファスティン・ファストン・タブ

SIZE A4 CAGE CODE 00779 DRAWING NO 170014

RESTRICTED TO

CUSTOMER DRAWING

SCALE 4:1 SHEET 1 OF 1 REV M1

THIS DRAWING IS UNPUBLISHED. ALL RIGHTS RESERVED. RELEASED FOR PUBLICATION