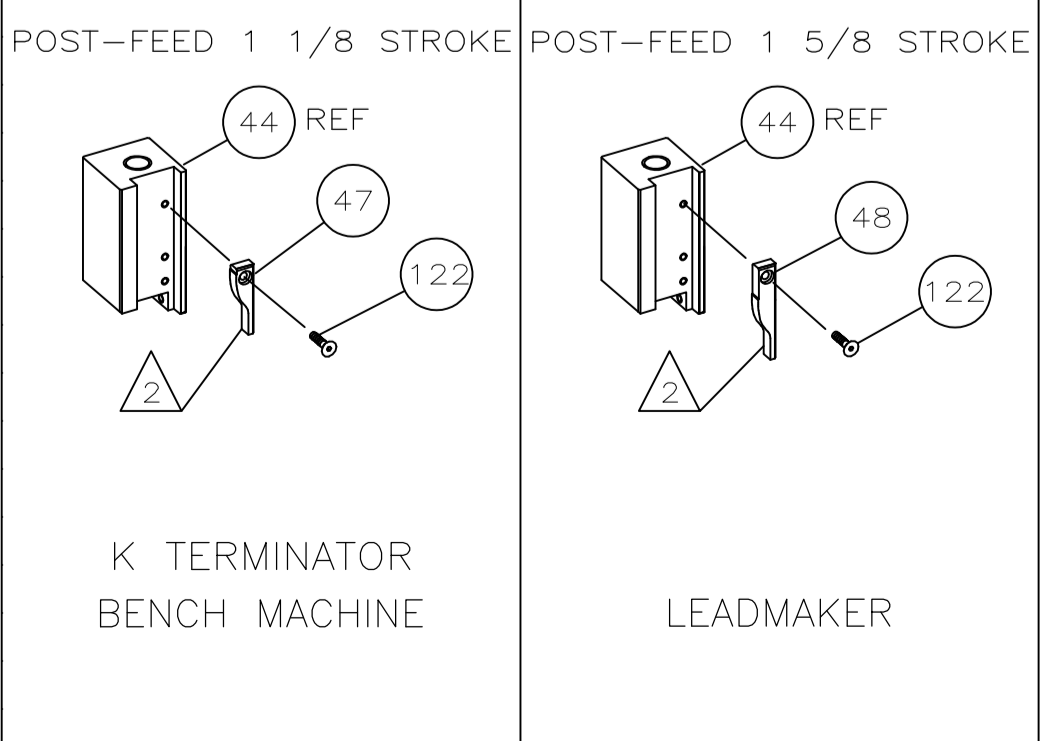
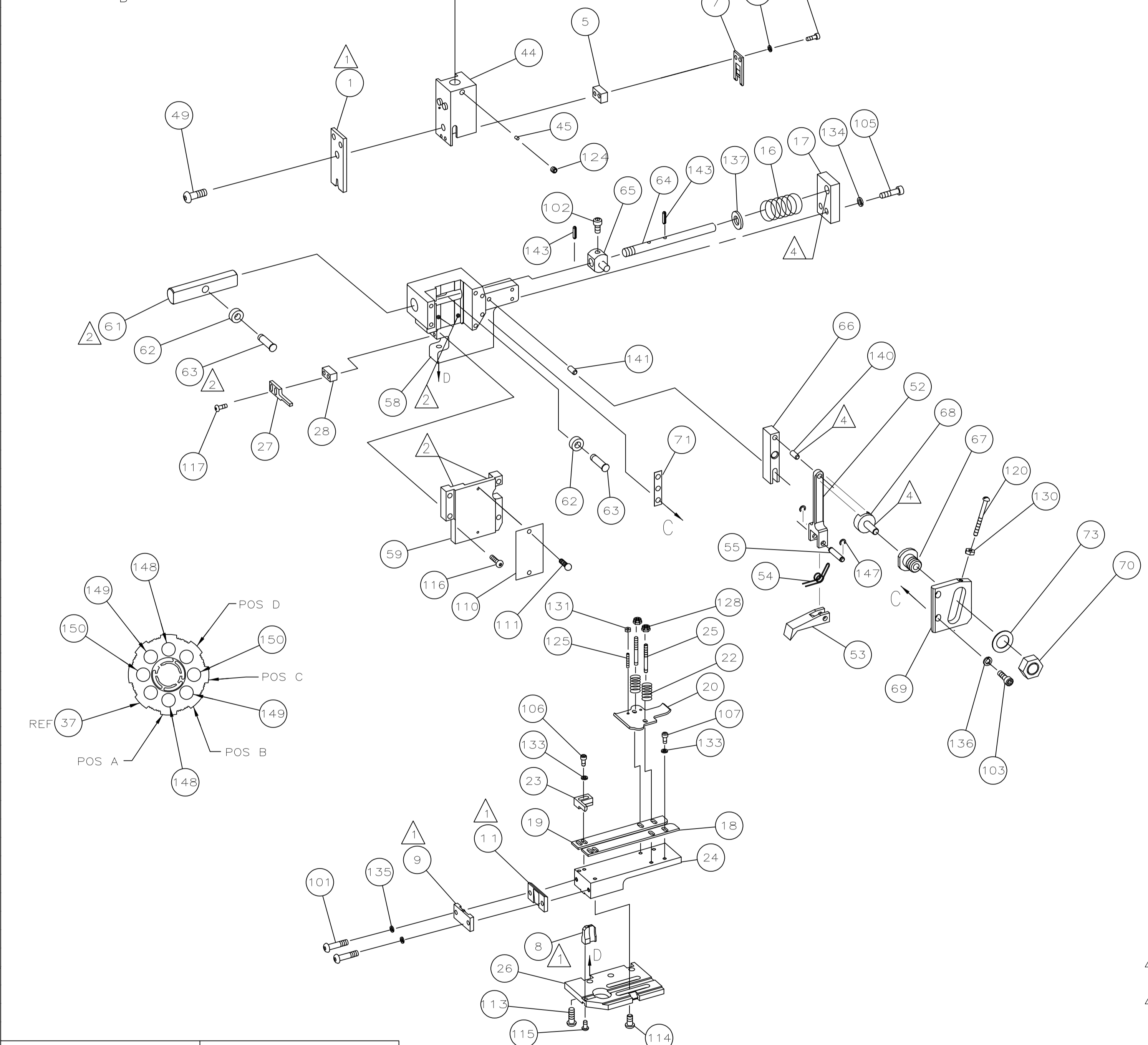
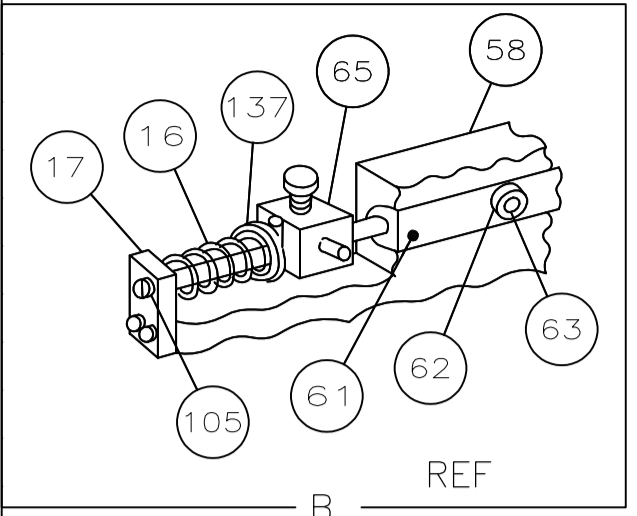
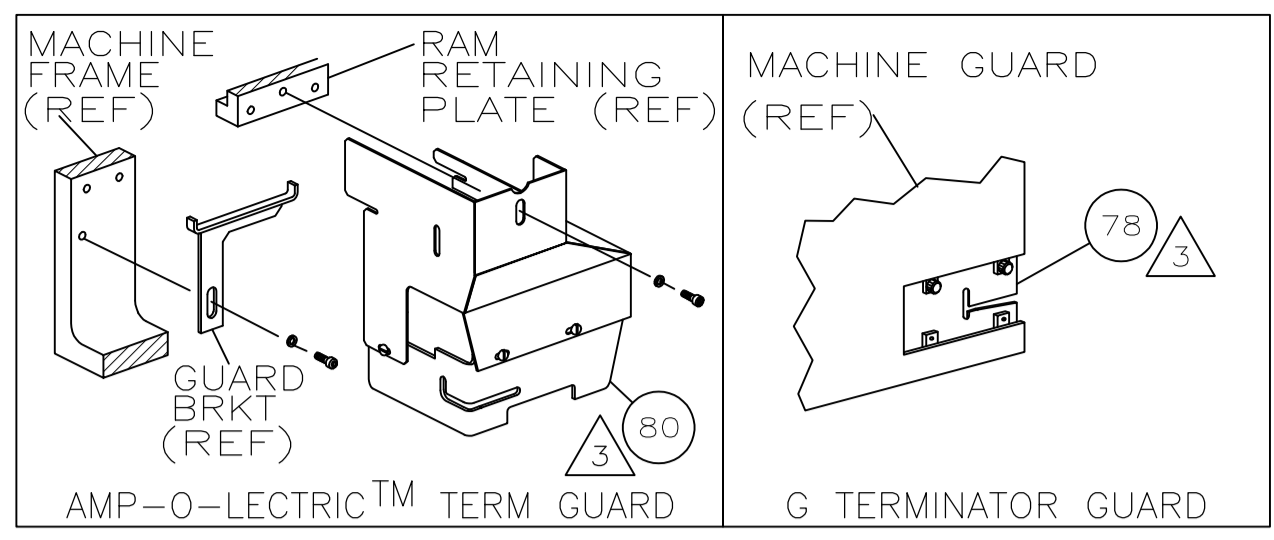


PART NUMBER	REV	FIRST USED
687935-1	E	122500-1
687935-2	E	565435-5



- 1 RECOMMENDED SPARE PARTS.
- 2 GREASE LIGHTLY
- 3 GUARD MUST BE IN PLACE WHEN OPERATING APPLICATOR IN A BENCH MACHINE.



TERMINAL NAME: -		CRIMPING DATA	
42197			
42269			
42298			
42709			
60205			
PAD LTR	CRIMP HEIGHT	WIRE SIZE	
A	.046 ±.002	18	
B	.042 ±.002	20	
C	.039 ±.002	22	
D	NOT	USED	
CRIMP	SIZE	TYPE	RANGE
WIRE	.090	F	22-18
INSUL	-	-	-
WIRE STRIP LENGTH	TERM APPL SPEC	FEED	APPL INSTRUCTION
.150-.180	NONE	.530	AI-8039
		SET UP GAGE	LAYOUT
		458638-1	190

QTY	REQD	PER	ASSY	PART NO	DESCRIPTION	ITEM NO
						151
2	2	-		3-354779-6	PIN, WIRE DISC (.3170) C	150
2	2	-		3-354779-0	PIN, WIRE DISC (.3140) B	149
2	2	-		2-354779-4	PIN, WIRE DISC (.3110) A	148
REF	REF	-		21045-3	RING, RETAINING "C"(.187)FEED FINGER PIN	147
						146
						145
						144
REF	REF	-		5-21028-1	PIN,SLOT SPR(Ø.125x.50)FD ADJ ROD	143
						142
REF	REF	-		1-21030-7	PIN,DOWEL(Ø.187x1.50)HOUSING	141
REF	REF	-		1-21030-1	PIN,DOWEL(Ø.187x.50)LEVER	140
						139
						138
REF	REF	-		21899-4	WASHER,FLAT(5/16)SCREW ADJ	137
REF	REF	-		21024-5	WASHER,LOCK(#10)FD ADJ PLATE	136
2	2	-		21024-5	WASHER,LOCK(#10)SHEAR PLATE	135
REF	REF	-		21024-5	WASHER,LOCK(#10)STR ROD GUIDE	134
5	5	-		21024-4	WASHER,LOCK(#8)STRIP GUIDE	133
2	2	-		21024-4	WASHER,LOCK(#8)SHEAR BLADE	132
2	2	-		21018-4	NUT,HEX(4-40)DRAG	131
REF	REF	-		21068-5	NUT,HEX(6-32)FEED ADJ PL	130
						129
2	2	-		21022-2	NUT,HEX SELF-LKG(8-32)DRAG STUDS	128
						127
						126
2	2	-		4-21078-8	SCR,SET(4-40x.75)DRAG	125
1	1	-		21009-2	SCR,SET(1/4-20x.25)(LOC-WEL)RAM	124
						123
1	1	-		1-21002-7	SCR,BHC(6-32x.38)CAM	122
						121
REF	REF	-		3-21064-2	SCR,RH(6-32x1.50)FEED ADJ	120
						119
						118
2	2	-		2-21002-2	SCR,BHC(8-32x.50)STRIPPER	117
REF	REF	-		2-21002-9	SCR,BHSC(10-32x.75)CAP	116
1	1	-		22733-8	SCR,BHSC(8-32x.38)(LOC-WEL)ANVIL	115
4	4	-		3-21002-3	SCR,BHSC(1/4-20x.50)STR GDE PL	114
REF	REF	-		1-24073-9	SCR,BHSC(1/4-20x.75)BASE PLATE	113
						112
2	2	-		21017-2	SCR,DRIVE(#2x.19)ID PLATE	111
1	1	-		461264-1	PLATE, IDENTIFICATION	110
						109
2	2	-		2-21002-6	SCR,BHSC(8-32x.38)SHEAR BLADE	108
3	3	-		7-21000-4	SCR,SHC(8-32x.31)STRIP GUIDE	107
2	2	-		2-21000-8	SCR,SHC(8-32x.62)STRIP GUIDE	106
REF	REF	-		3-21000-7	SCR,SHC(10-32x.75)FEED ROD GUIDE	105
						104
REF	REF	-		3-21000-6	SCR,SHC(10-32x.62)FEED ADJ PLATE	103
REF	REF	-		3-21000-4	SCR,SHC(10-32x.38)PIVOT BLOCK	102
2	2	-		3-21000-8	SCR,SHC(10-32x.88)SHEAR PLATE	101
						100
						99
						98
						97
						96
						95
						94
						93
						92
						91
						90
						89
						88
						87
						86
						85
						84
						83
						82
						81
						80
REF	-	-		455745-1	GUARD, WINDOW	79
REF	-	-		679532-1	INSERT, GUARD	78
						77
						76
						75
						74
						73
REF	REF	-		458109-1	WASHER, SPECIAL	72
						71
REF	REF	-		690517-1	SPACER	70
-2	-1	U/M				
QTY	REQD	PER	ASSY	PARTS LIST		

LOC	DIST	REVISIONS			
A	66	REV	DATE	BY	APPV
		E	9-2007	MY	GB
		DESCRIPTION			
		ECR-07-022527			

REF	REF	QTY	PART NO	DESCRIPTION	ITEM NO
REF	REF	-	22594-8	NUT, HEX	70
REF	REF	-	240628-1	PLATE, ADJUSTMENT	69
REF	REF	-	240626-1	SHAFT, PIVOT	68
REF	REF	-	240633-1	BUSHING	67
REF	REF	-	455680-1	LEVER, INTERMEDIATE	66
REF	REF	-	240629-1	BLOCK, PIVOT	65
REF	REF	-	240632-2	SCR, ADJ FEED ROD	64
REF	REF	-	240659-3	PIN, CAM ROLLER	63
REF	REF	-	240658-1	ROLLER, CAM	62
REF	REF	-	454398-2	ROD, FEED	61
					60
REF	REF	-	454220-1	CAP, RAM	59
REF	REF	-	453736-1	HOUSING	58
					57
					56
					55
REF	REF	-	240624-1	PIN, FEED FINGER	55
REF	REF	-	691499-1	SPRING, FEED FINGER	54
REF	REF	-	240635-1	FINGER, FEED	53
REF	REF	-	240634-1	LEVER, TERMINAL	52
					51
					50
1	1	-	7-21002-9	BOLT, CRIMPER	49
-	1	-	690501-4	CAM POST-FEED, 1 5/8 STROKE	48
1	-	-	690501-3	CAM POST-FEED, 1 1/8 STROKE	47
					46
1	1	-	690191-1	PLUG, NYLON	45
1	1	-	455674-1	RAM	44
1	1	-	690125-1	WASHER, LAMINATED	43
1	1	-	690124-1	WASHER, RAM	42
1	1	-	690223-1	SPACER, DISC	41
					40
					39
					38
1	1	-	354777-1	WIRE DISC, PLASTIC	37
1	1	-	22480-5	WASHER, SPRING	36
1	1	-	690212-1	POST, RAM	35
1	1	-	986950-1	WASHER, FLAT PRECISION	34
					33
1	1	-	458980-1	APPLICATOR, BASIC (SUB ASSY)	32
					31
					30
					29
1	1	-	3-690451-2	SPACER, STRIPPER	28
1	1	-	240639-1	STRIPPER	27
REF	REF	-	455676-1	PLATE, BASE	26
2	2	-	22354-8	DRAG, STUD	25
1	1	-	455678-1	PLATE, STRIP GUIDE	24
1	1	-	240825-9	PLATE, STRIP HOLD	23
2	2	-	4-22281-1	SPRING, DRAG	22
					21
1	1	-	454177-1	DRAG, STOCK	20
1	1	-	454204-1	GUIDE, STRIP REAR	19
1	1	-	454204-1	GUIDE, STRIP FRONT	18
REF	REF	-	454178-1	GUIDE, FEED ROD	17
REF	REF	-	4-22284-9	SPRING, FEED RETURN	16
					15
					14
					13
					12
1	1	-	240644-1	PLATE, REAR SHEAR	11
					10
1	1	-	2-690482-1	PLATE, FRONT SHEAR	9
1	1	-	1-240654-2	ANVIL	8
1	1	-	690474-6	BLADE, SLUG	7
					6
1	1	-	5-240641-8	SPACER,SHEAR BLADE	5
					4
					3
					2
1	1	-	456406-3	CRIMPER, WIRE	1
QTY	REQD	PER	ASSY	PARTS LIST	