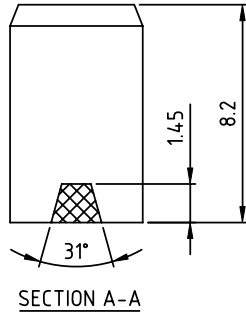
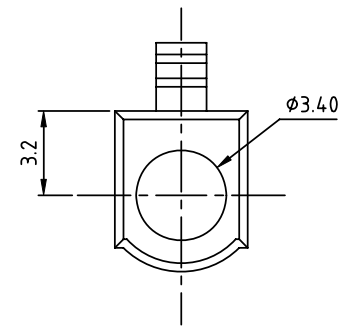
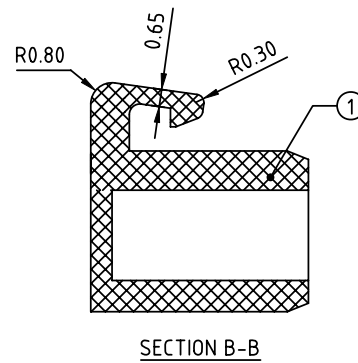
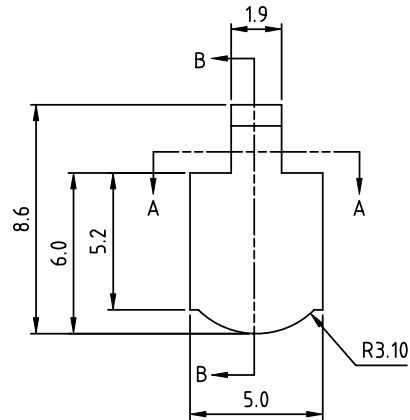
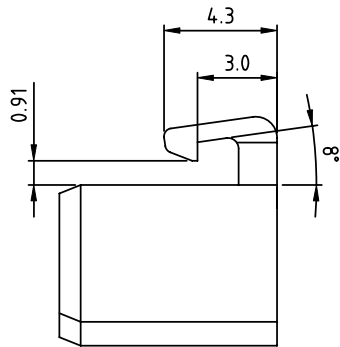


PRODUCT NUMBER	PITCH
AH00005000JOG	NA



Material  
 ● Item ① Insulator (housing): Thermoplastic (UL94V-0) Color: Green(RAL6018/T)  
 Match with QQ5.0/5.08



mat'l. code		surface ASME Y14.5 ✓	tolerance ASME Y14.5	projection ⊕	product family TERMINAL BLOCK
ltr	ecn no	dr	date	MM	title TERMINAL BLOCK ACCESSORIES, CODING KEY
			angles	scale	dwg no AH00005000JOG
			X°±0.5		
			X.X±0.3	sheet 1 of 1	size A4
			X°±1°		
		dr	EVIN ZHONG 070914	FCI	type CUSTOMER Drawing
		enr	EVIN ZHONG 070914		
		chr	HANKE FENG 070914		
		appd	SHI JUN 070914		
sheet index	revision sheet	A	1		