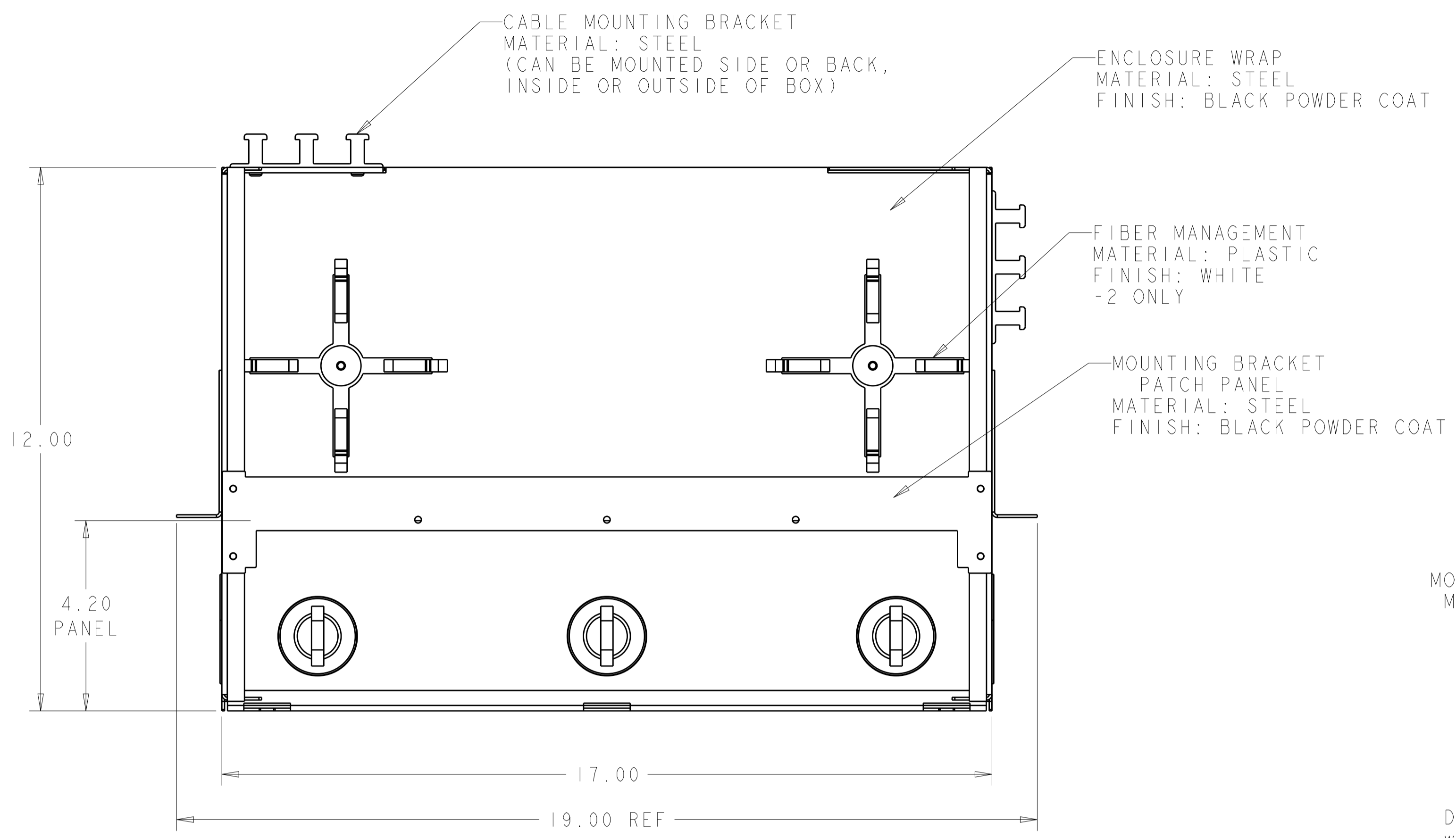
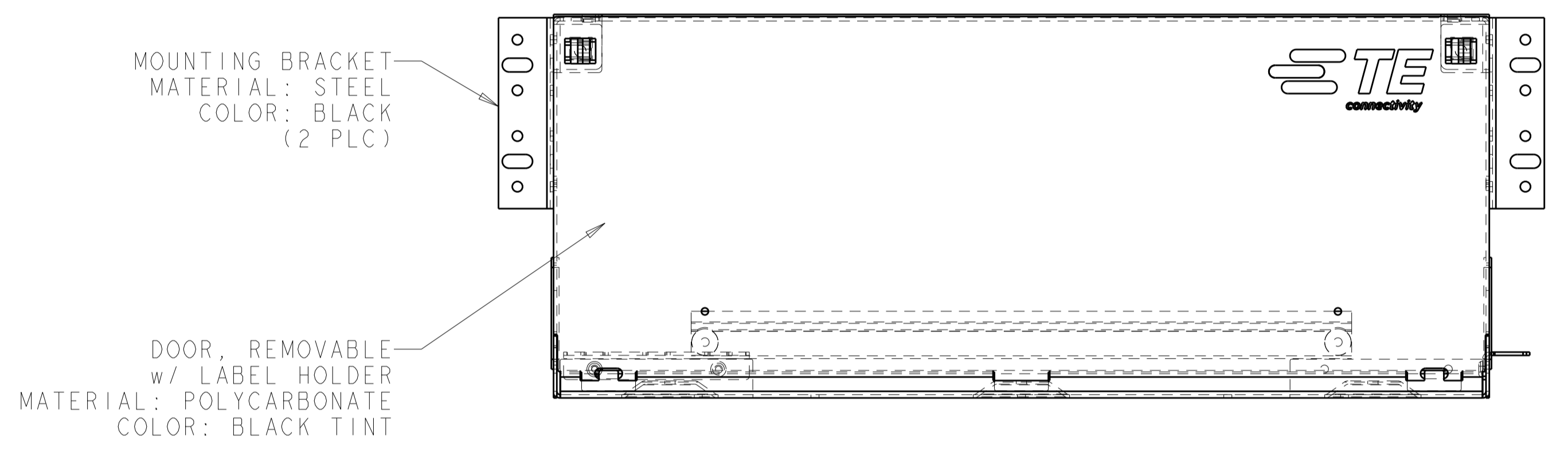


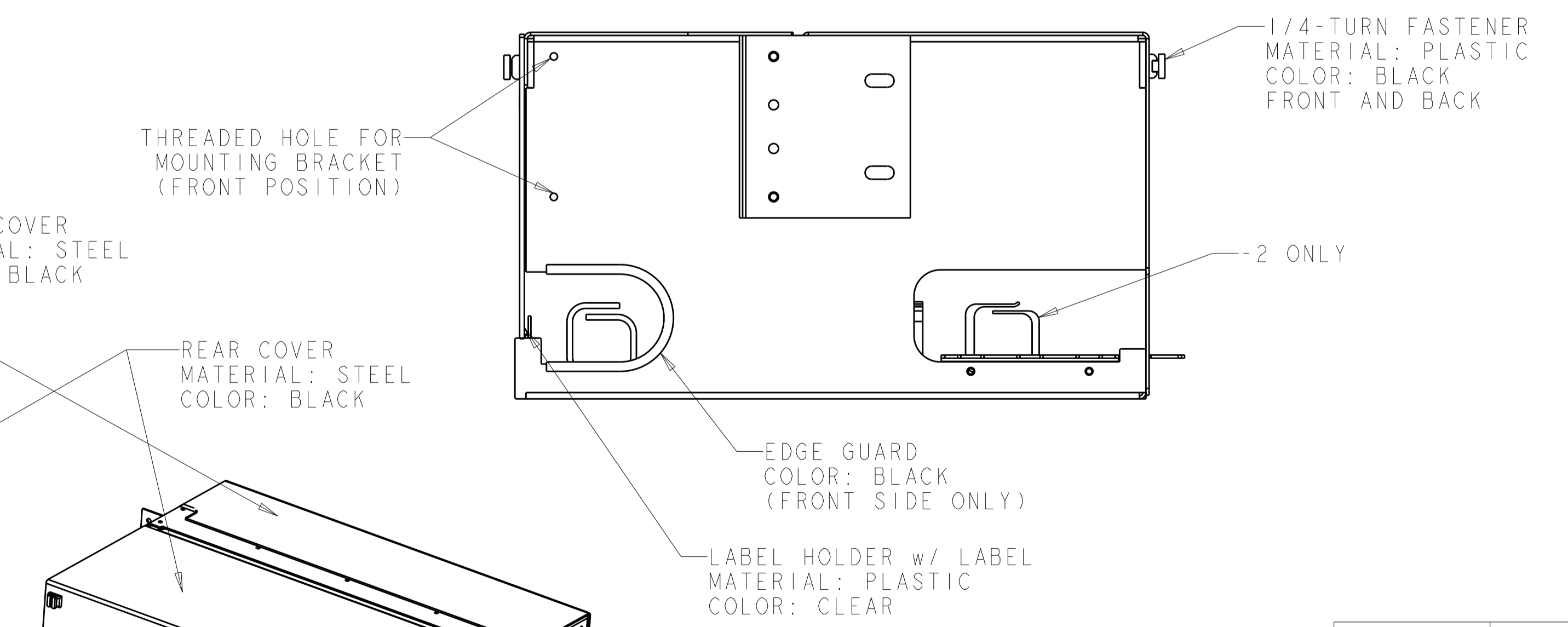
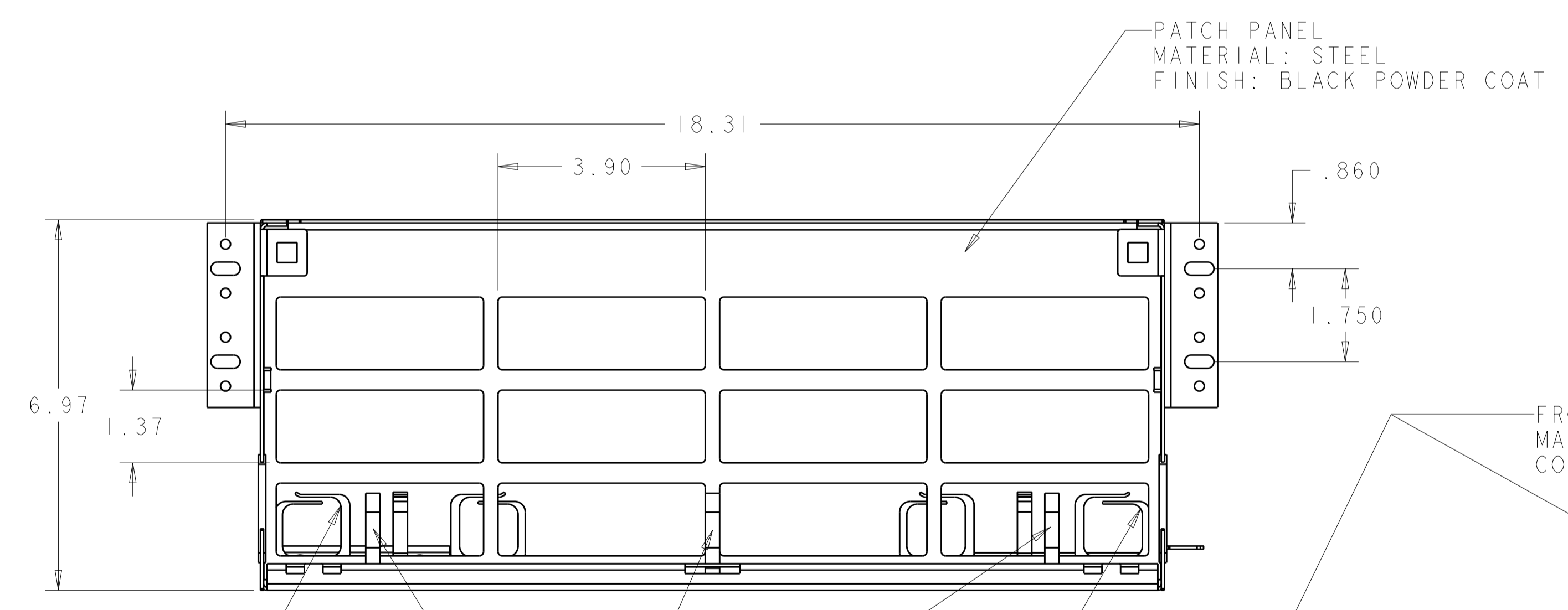
LOC	DIST	REV	DATE	BY	APP'D
CE	16	F	30JAN2013	JM	TE



- THE FOLLOWING ITEMS ARE BAGGED AND PLACED IN THE ENCLOSURE.
  - [4] HANDLE, 1/4-TURN FASTENER
  - [2] KIT, CABLE CLAMP BRACKET
  - [4] #12-24x.50 SCREW
  - [1] LABEL, "D-A"
  - [2] LABEL, "DANGER"
- ENCLOSURE IS PROVIDED FOR 19" RACK MOUNTING. REPOSITIONING BRACKETS WILL ALLOW FOR MOUNTING INTO A 23" RACK.

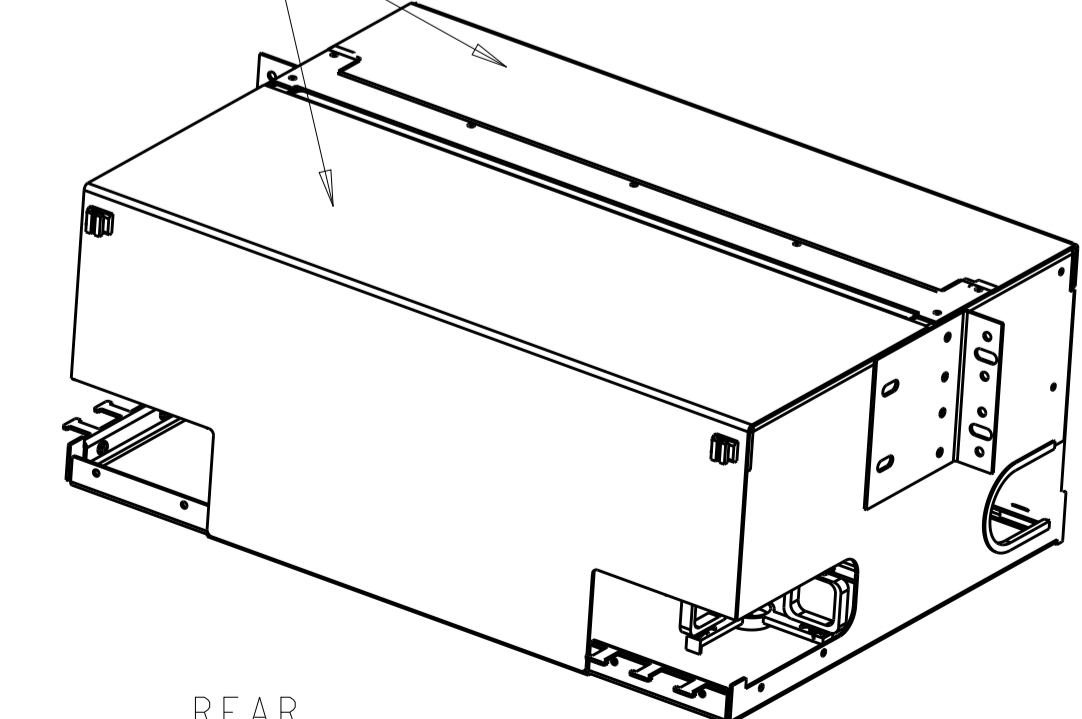
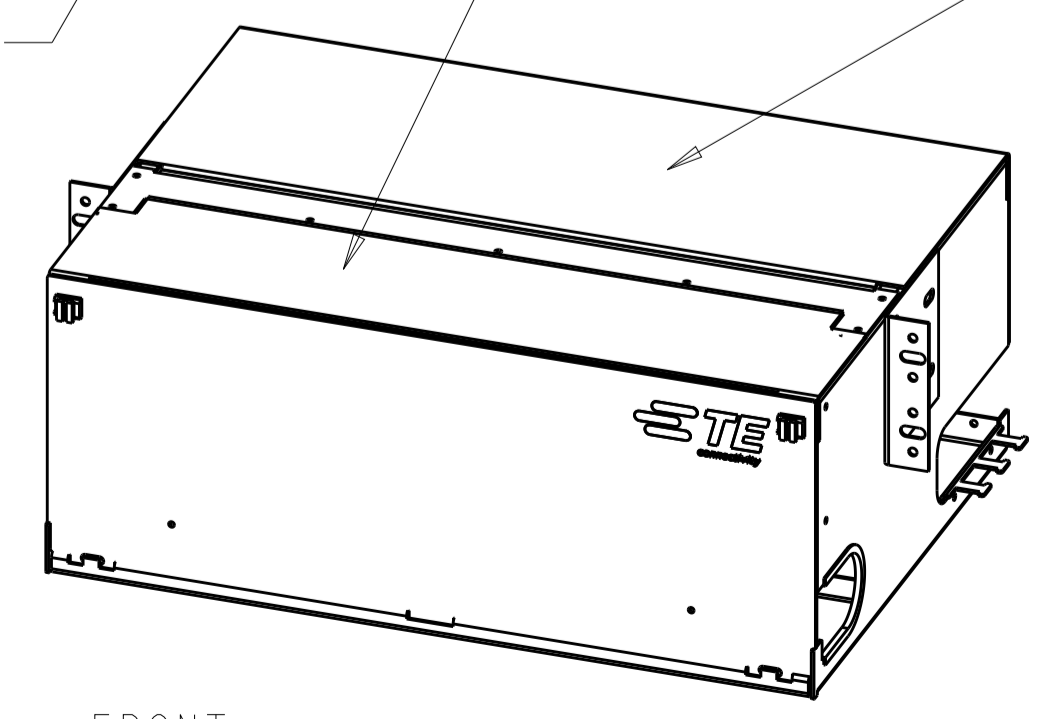


FRONT VIEW



CABLE ROUTING RINGS  
(3 PLC)

DOOR & COVERS NOT SHOWN



BLACK	1435593-2
BLACK	1435593-1
COLOR	PART No.

DIMENSIONS:		TOLERANCES UNLESS OTHERWISE SPECIFIED:		MATERIAL:		FINISH:		WEIGHT:		SCALE:	
INCHES	0 PLC	±		16 GA	STEEL	BLACK	POWDER COAT			1:2	
	1 PLC	±0.1									
	2 PLC	±0.01									
	3 PLC	±0.001									
	4 PLC	±0.0001									
	ANGLES	±									