

4

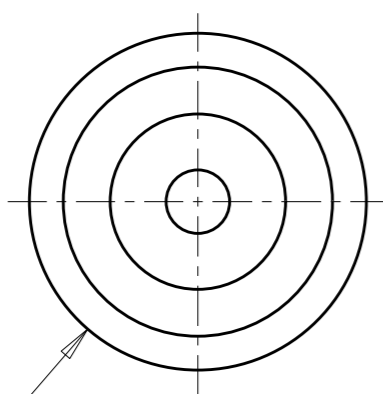
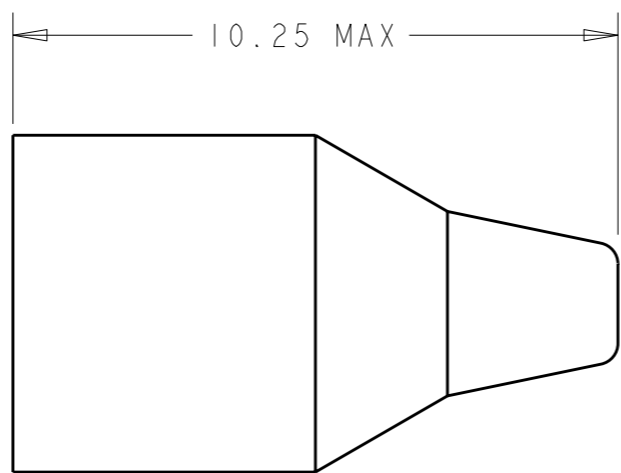
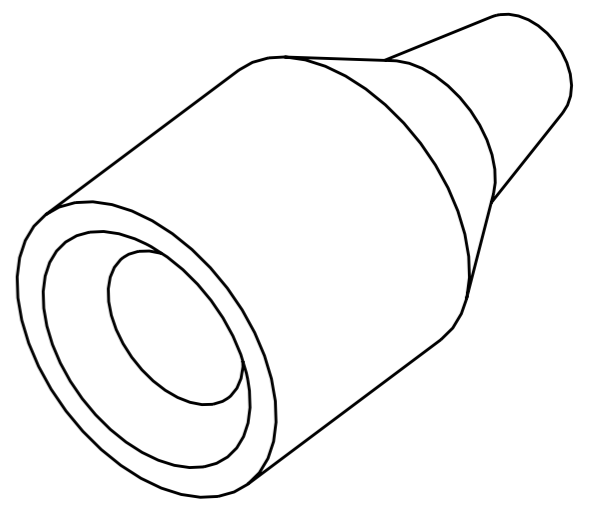
3

2

1

THIS DRAWING IS UNPUBLISHED. RELEASED FOR PUBLICATION 20
 © COPYRIGHT 20 BY TYCO ELECTRONICS CORPORATION. ALL RIGHTS RESERVED.

LOC	DIST	REVISIONS					
		P	LTR	DESCRIPTION	DATE	DWN	APVD
CE	00		C	ECR-05-009395	22AUG2005	EJH	SB
			D	REVISE PER ECR-06-029880	09JAN2007	BB	SM



Ø 5.72 MAX

AQUA	6588612-8
GRAY	6588612-7
WHITE	6588612-6
BLACK	6588612-5
RED	6588612-4
GREEN	6588612-3
BLUE	6588612-2
BEIGE	6588612-1
COLOR	PART NO

TPE, UL 94 V-0 RATED AT QUALIFYING THICKNESS, SEE TABLE FOR COLORS.

<small>THIS DRAWING IS A CONTROLLED DOCUMENT FOR TYCO ELECTRONICS CORPORATION. IT IS SUBJECT TO CHANGE AND THE CONTROLLING ENGINEERING ORGANIZATION SHOULD BE CONTACTED FOR THE LATEST REVISION.</small>		DWN E. HOPKINS 27JAN2005 CHK D. ERDMAN 27JAN2005 APVD S. BUCHTER 27JAN2005		AMP Tyco Electronics Harrisburg, PA 17105-3608	
DIMENSIONS: mm 		TOLERANCES UNLESS OTHERWISE SPECIFIED: 0 PLC ±. 1 PLC ±. 2 PLC ±. 3 PLC ±. 4 PLC ±. ANGLES ±.		NAME - BOOT, SHORT, BUFFER, LC/SC/FC	
MATERIAL -		FINISH -		PRODUCT SPEC - APPLICATION SPEC - WEIGHT -	
CUSTOMER DRAWING				SIZE A3 CAGE CODE 00779 DRAWING NO C-6588612	RESTRICTED TO -
				SCALE 8:1	SHEET 1 OF 1 REV D