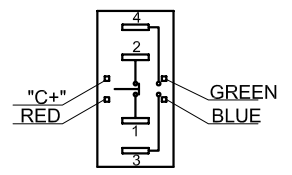
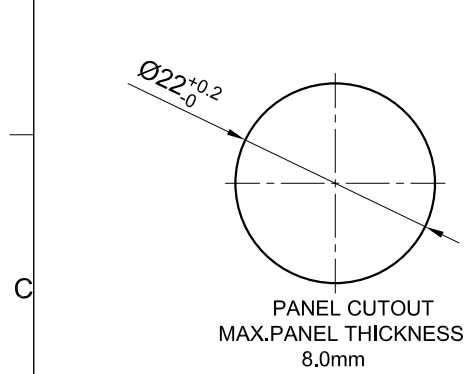
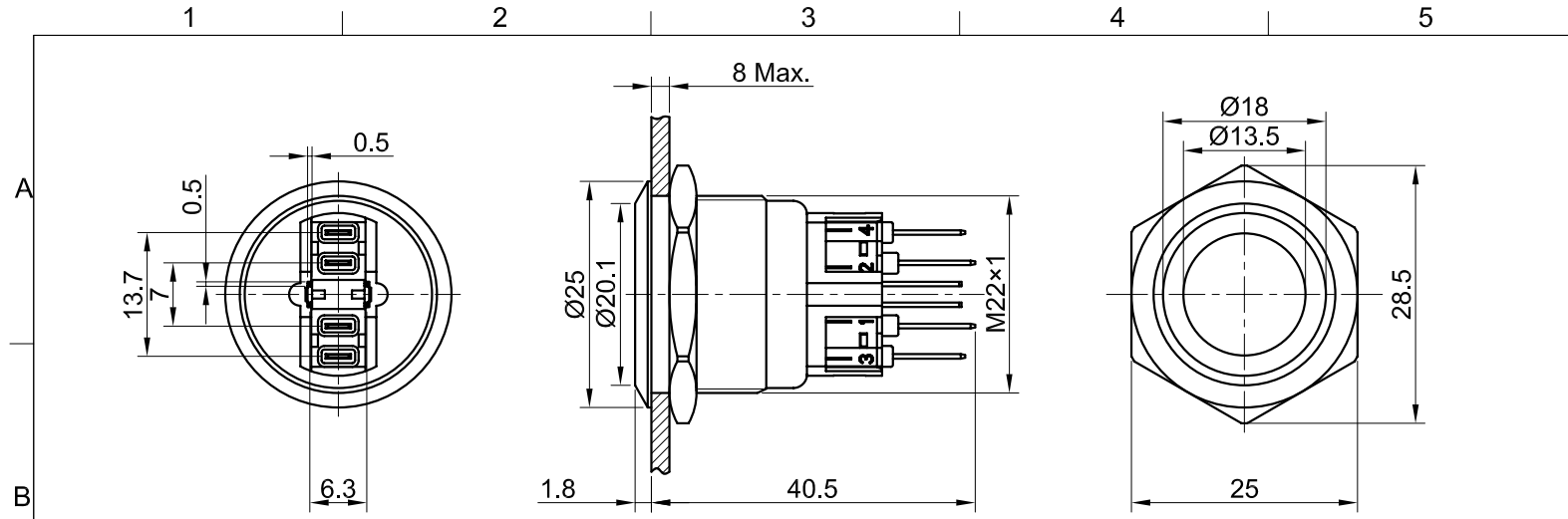
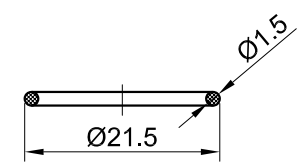


REV. 更改	DESCRIPTION 说明	ENG. 修改人	APPROVE 审核



Contact Composition
(1,2 are normal closed(NC); 3,4 are normal opened(NO).)



SPECIFICATIONS:

- 1.Max.Switch Rating: Ith:5A Ui: 250VAC.
- 2.Electrical Life: ≥50,000cycles.
- 3.Contact Resistance: ≤50mΩ.
- 4.Insulation Resistance: ≥1,000MΩ.
- 5.Dielectric Strength: 2,000V RMS 50Hz.
- 6.Operating Temperature: -25℃ ~ +55℃.
- 7.IP Class: IP65(Momentary:IP67 Made to order),IK10.
- 8.Torque: 1Nm Max.applied to nut.
- 9.Operating Force: About 4N.
- 10.Operation Mode: Momentary type.
- 11.Contact Configuration: 1NO1NC.
- 12.Ring Illuminated.LED Color:Red and Green and Blue.
- 13.LED Rated Voltage:5V.
- 14.The Front Shape : Flat Round.
- 15.Terminal Type: Pin Terminal(2.8 x 0.5mm).
- 16.Operation mode:Latching type.

MATERIALS:

- 1.Button: Stainless steel.
- 2.Contact: Silver alloy.
- 3.Body: Stainless steel.
- 4.Base: PA.

Part Number: PM221-11ZE/42RGB/12V/S

DIMENSIONS		TOLERANCE		SCALE		UNIT		USED 用途		APPD 审核	
0.00 TO 30.00mm		±0.20mm		比例 1.2 / 1		mm		CH 2017/02/17		CH 2017/02/17	
30.01 TO 80.00mm		±0.25mm		DR.		制图		CHKD 校对		CKL 2017/02/17	
80.01 TO 150.00mm		±0.30mm		TITLE 名称 Anti-vandal ring illuminated push button switch							
150.01 ↑		±0.40mm									
MATERIAL				DWG NO. 图号				SIZE 图纸 A4			
FILE NAME 档案名称						SHEET 张		1 / 1		REV. 更改	
										1	