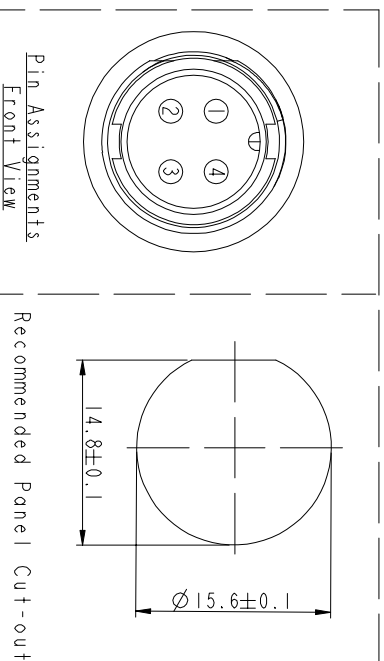
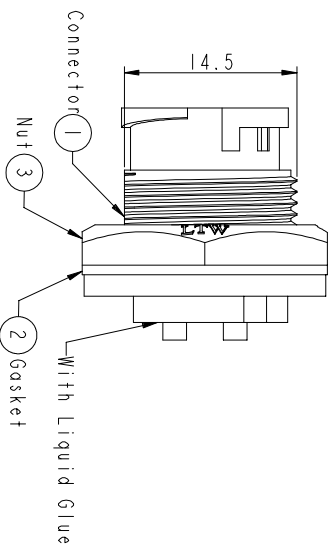


- Note:
- * Important Dimension To Check.
 - * Waterproof Rate: IP67
 - * Housing: Black, Nylon+GF
 - * Pin: Copper Alloy, Gold Plated
 - * Nut: Black, Nylon+GF
 - * Gasket: Black, EPDM
 - * Use With Waterproof Cap Or Dust Cap
 - Panel Thickness Max: 3.0mm
 - * Use Without Waterproof Cap Or Dust Cap
 - Panel Thickness Max: 4.5mm



Pin Assignments
Front View

Recommended Panel Cut-out

RoHS compliant

Scale	Free	Id.	Modification	Date	Name
TOLERANCE					
.X	±0.25				
.XX	±0.10				
.XXX	±0.05				
Angle	±1°				
		①	Drawn	11.03.2014	Winnie

Date	Name
11.03.2014	Winnie
11.03.2014	Winnie

Customer-No.	Drawing-No.	Replace	Sheet
ASSMANN WSW-No.			
A-CR-04PIMS-LC-WP			
	ASS 6239 CO		rev00

ASSMANN
WSW components

1	2	3	4	5	6	7
A						A
B						B
C						C
D						D
E						E
F						F
G						G
H						H