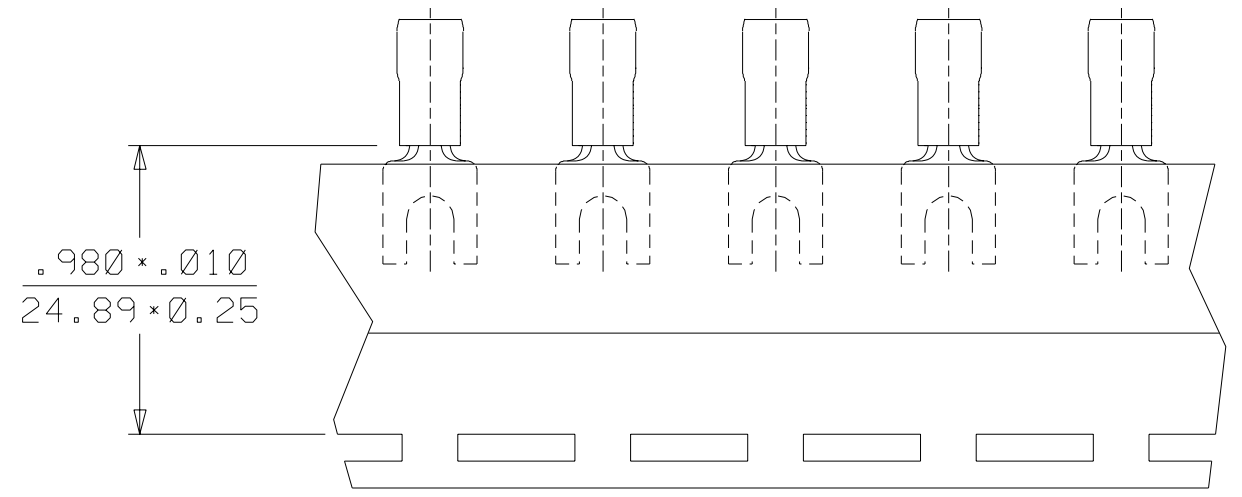
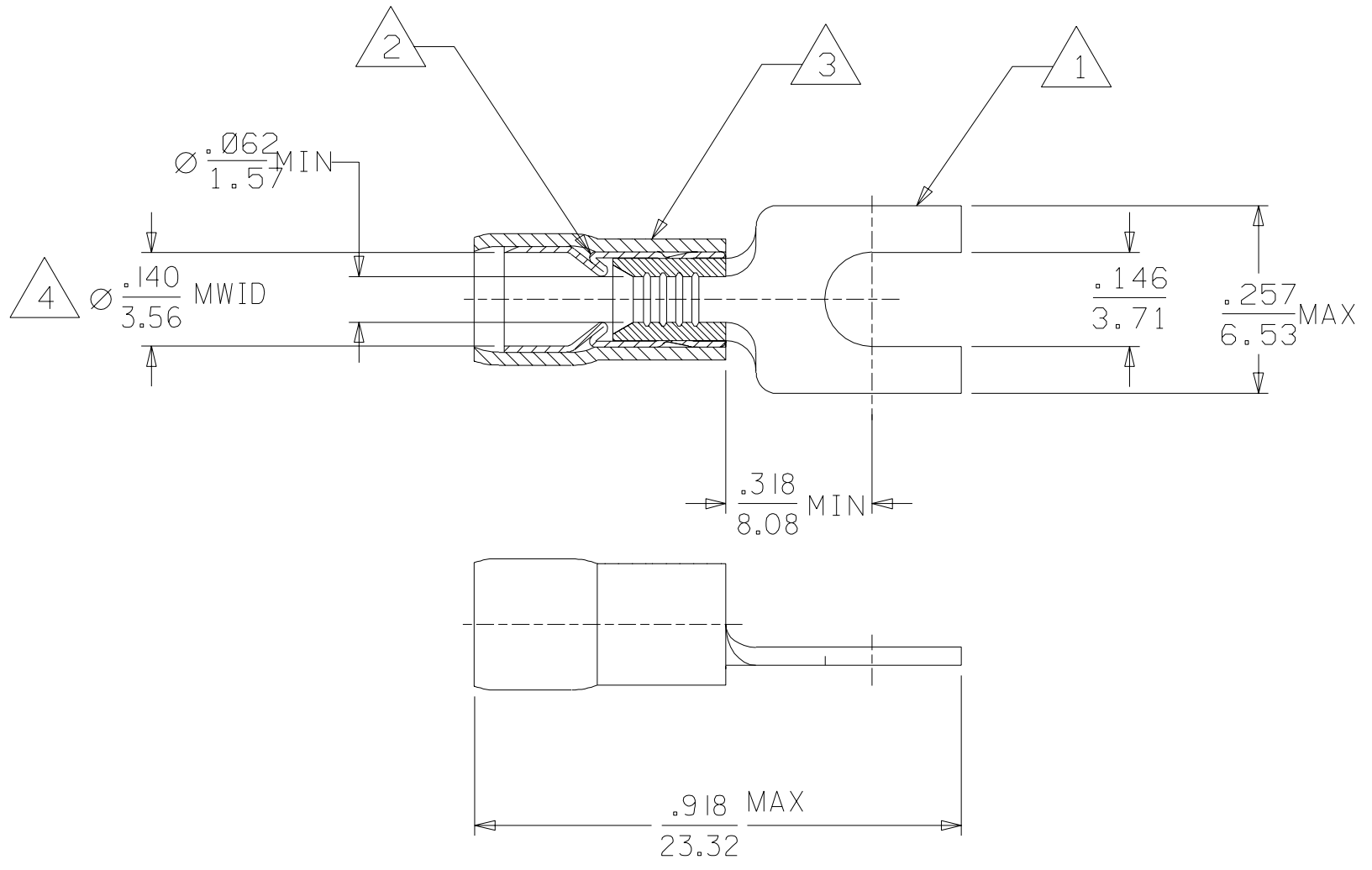


MATERIAL NUMBER	ENGINEERING NUMBER	STUD SIZE	PACKAGING
191390006	AA-8118-06	6	LOOSE PIECE
191390007	AA-8118-06T		TAPE MOUNTED



TAPE MONTING LOCATION

SALES DRAWING

NOTES:

- 1. TERMINAL MATERIAL: COPPER .028 THICK.
- 2. FERRULE: TIN-PLATED BRASS.
PLATING: ELECTROPLATE TIN
- 3. INSULATION: LT. RED NYLON
- 4. MWID=MAXIMUM WIRE INSULATION DIA.

NEW RELEASE	EC NO. ETC2004-0027	DRWN: BRE 03/08/05	CH'K: HEB 03/08/05	APPR: RWD 03/08/05
A	REV	DESCRIPTION	QUALITY SYMBOLS	MAJOR = 0 CRITICAL = 0

GENERAL TOLERANCES: (UNLESS SPECIFIED)	
4 PLACES	±0.00
3 PLACES	±0.01
2 PLACES	±0.02
1 PLACE	±0.03
ANGULAR: ±1/2°	
DRAFT WHERE APPLICABLE MUST REMAIN WITHIN DIMENSIONS	

SCALE NO: NE	DESIGN UNITS <input type="checkbox"/> mm <input checked="" type="checkbox"/> INCH
DRAWN BY & DATE BRE 03/07/30	
CHECKED BY & DATE HEB 03/07/30	
APPROVED BY & DATE RWD 03/07/30	
CAD FILENAME SD-19139-002.DGN	MATERIAL NO. SEE CHART

THIRD ANGLE PROJECTION	
DIMENSIONS: <input type="checkbox"/> mm <input checked="" type="checkbox"/> INCH <input type="checkbox"/> mm ONLY	
TITLE: BLOCK SPADE TONGUE TERMINAL AVIKRIMP 22-18 AWG	
MOLEX INCORPORATED	
DRAWING NO. SD-19139-004	SHEET NO. 1 OF 1

SHT	REV
REVISE ON CAD ONLY	
THIS DRAWING CONTAINS INFORMATION THAT IS PROPRIETARY TO MOLEX INCORPORATED AND SHOULD NOT BE USED WITHOUT WRITTEN PERMISSION.	
SIZE B	