

### Description

The Si21812 integrates two separate high-performance digital demodulators for the Japanese and South American terrestrial ISDB-T standard and for the DVB-T, DVB-C, DVB-S2/S and DVB-S2X standards into a single compact package. Leveraging Silicon Labs' proven digital demodulation architecture, the Si21812 achieves excellent reception performance for each media while significantly minimizing front-end design complexity, cost, and power dissipation. Connecting the Si21812 to both a dual terrestrial/cable TV tuner, and a dual satellite tuner, results in a high-performance and cost optimized TV front-end solution.

Leveraging significant field experience in DVB terrestrial demodulation (DVB-T2/T), the Si21812 dual demodulator can accept standard or low-IF inputs (differential) and complies with the Brazilian SBTVD-T terrestrial specifications (ABNT NBR 16.601 and 15.604). Main features include fast channel scan, very short lock times, state of the art CCI performance, partial reception, and auxiliary channels decoding.

The DVB-T and DVB-C, including ITU-T J.83 annex B, demodulators are enhanced versions of proven and broadly used Si2164/67/68/69 Silicon Labs devices.

The satellite reception allows demodulating widespread DVB-S, DIRECTV™ (DSS), DVB-S2, DIRECTV™ (AMC) legacy standards, and new Part II of DVB-S2 (S2X) satellite broadcast standard. A zero-IF interface (differential) allows for a seamless connection to market proven satellite silicon tuners. It also integrates two DiSEqC™ 2.0 LNB interfaces for satellite dish control and, for each satellite demodulator, an equalizer to compensate for echoes in long cable feeds from the LNB to the satellite tuner RF input.

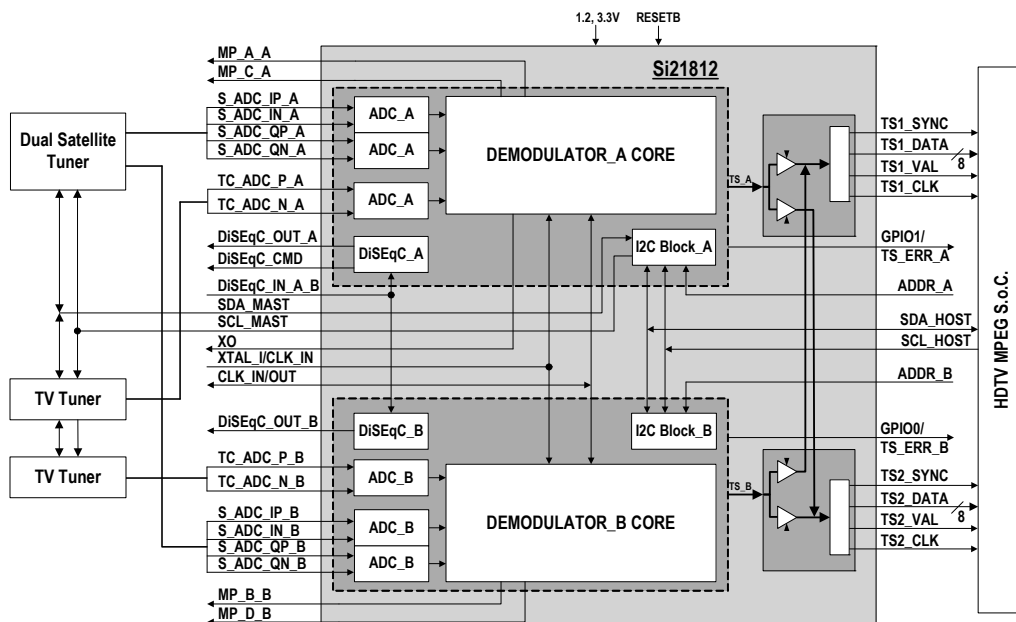
The Si21812 offers an on-chip blind scanning algorithm for DVB-S/S2/S2X and DVB-C standards, as well as blind lock function. The Si21812 embeds two independent programmable transport stream interfaces which provide a flexible range of output modes, including a cross-bar functionality, and are fully compatible with all MPEG decoders or conditional access modules to support any customer application.

### Features

- Pin-to-pin compatible with all dual demodulator family: Si216x2 and Si218x2
- API compatible with all single and all dual demodulators
- ISDB-T (ABNT NBR 16.601 and 15.604)
  - 6, 7, and 8 MHz bandwidth
  - Partial reception supported
  - AC1 and AC2 decoding
- DVB-T (ETSI EN 300 744)
  - NorDig Unified 2.5, D-Book 8 compliant
- DVB-C (ETSI EN 300 429) / ITU-T J.83 Annex A/B/C
  - 1 to 7.2 MSymbol/s, C-Book compliant
- DVB-S2 (ETSI EN 302 307-1 V1.4.1)
  - QPSK/8PSK demodulator
- DVB-S2X (ETSI EN302 307-2 V1.1.1)
  - QPSK/8PSK, 8/16/32APSK demodulator
  - Roll-off factors from 0.05 to 0.35
  - Channel bonding for TS transmission supported
- DVB-S (ETSI EN 300 421) and DSS supported
- Dual DiSEqC™ 2.x interface, Unicable support
- 1 to 45 MSpS for all satellite standards (<40 MSpS in 32APSK)
- I<sup>2</sup>C serial bus interfaces (master and host)
- Upgradeable with firmware patch download via fast SPI or I<sup>2</sup>C (broadcast mode supported)
- Dual independent differential IF input for T/C tuners and differential ZIF I/Q inputs for satellite tuners
- GPIOs and multi-purpose ports (two per demodulator)
- Separate flexible TS interfaces with serial or parallel outputs and cross-bar feature
- Fast lock times for all standards
- Only two power supplies: 1.2 and 3.3 V
- 8x8 mm, QFN-68 pin package, Pb-free/RoHS compliant

### Applications

- Multi-receiver iDTV: on-board or in a NIM
- Advanced multimedia PVR STBs
- PC-TV accessories
- PVR, DVD, and Blu-Ray disc recorders

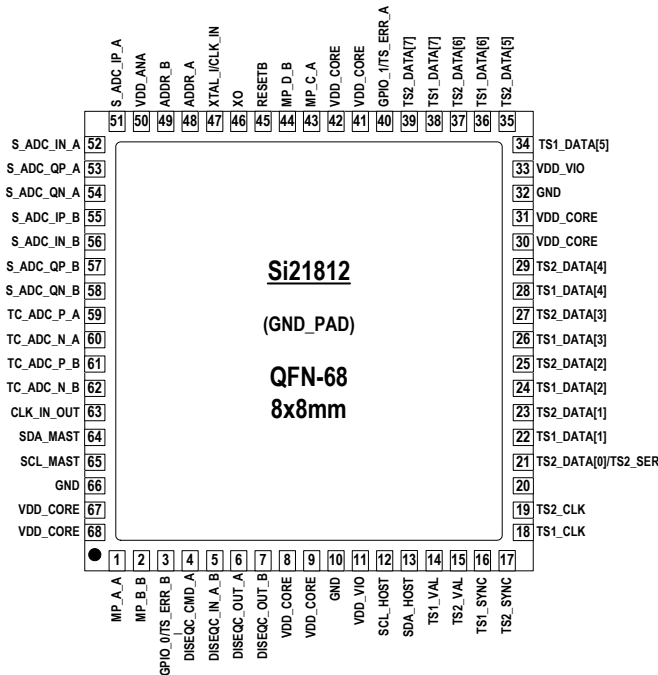


### Selected Electrical Specifications

(T<sub>A</sub> = -10 to 70 °C).

Parameter	Test Condition	Min	Typ	Max	Unit
<b>General</b>					
Input clock reference		4	—	30	MHz
Supported XTAL frequency		16	—	30	MHz
Total power consumption for each demodulator	ISDB-T <sup>1</sup>	—	168	—	mW
	DVB-T <sup>2</sup>	—	182	—	mW
	DVB-C <sup>3</sup>	—	142	—	mW
	DVB-S2 <sup>4</sup>	—	421	—	mW
	DVB-S <sup>5</sup>	—	230	—	mW
Thermal resistance (θ <sub>JA</sub> )	4 layer PCB	—	42	—	°C/W
<b>Power Supplies</b>					
V <sub>DD_VCORE</sub>		1.14	1.20	1.30	V
V <sub>DD_VANA</sub>		3.00	3.30	3.60	V
V <sub>DD_VIO</sub>		3.00	3.30	3.60	V
<b>Notes:</b>					
1. Test conditions: 8K, 64-QAM, CR = 7/8, GI = 1/32, 13 segments					
2. Test conditions: 8 MHz, 8K FFT, 64-QAM, parallel TS.					
3. Test conditions: 6.9 Mbaud, 256-QAM, parallel TS.					
4. Test conditions: 32 Mbaud, CR = 3/5, 8PSK, pilots On, parallel TS, C/N at picture failure.					
5. Test conditions: 30 Mbaud, CR = 7/8, parallel TS, at QEF: BER = 2 x 10 <sup>-4</sup> .					

### Pin Assignments



### Selection Guide

Part #	Description
Si21812-B60-GM/R	Dual Digital TV Demodulator for ISDB-T and DVB-S2/S2X/T/C/S, 8x8 mm QFN-68